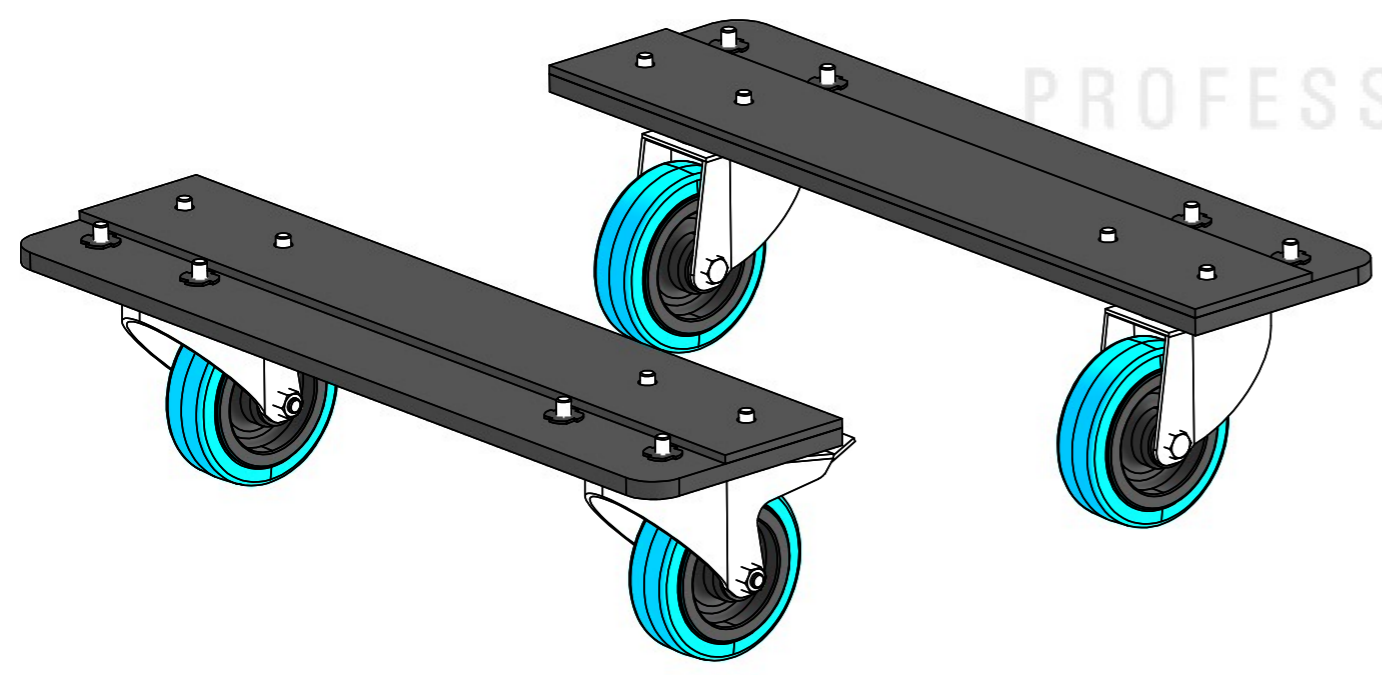
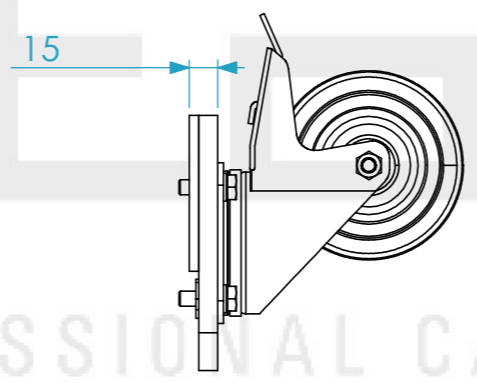
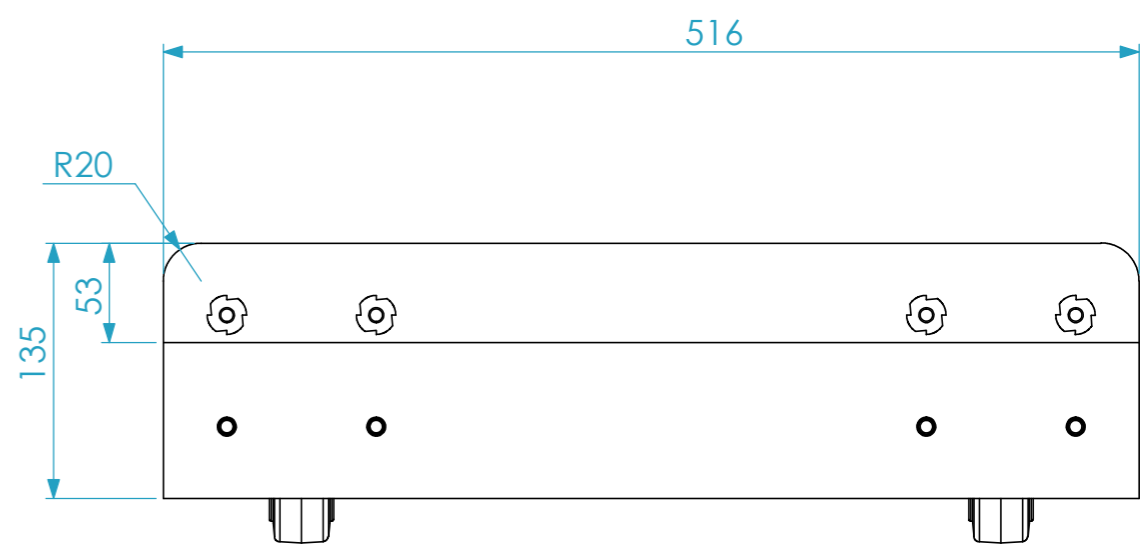
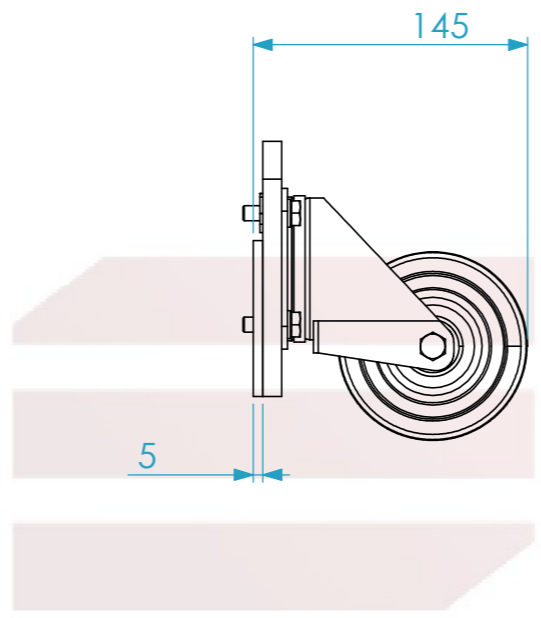


Dimensions

Width	Depth	Height
516	135	-
Weight	Approx. 5.18 Kg	
Wall Thickness		15 mm



santosom
PROFESSIONAL CASES

General External Dimensions	
W	Width
D	Depth
H	Height

Drawn by	Name	Date
jose.couto	jose.couto	09/06/2026
Reference	KR2.060	
Scale	units in mm	general tolerance
1:4	DO NOT SCALE	0.8mm
KIT DE 2 SUPORTES E 4 RODAS 100MM (2 COM TRAVÃO)		



This drawing must not be copied or disclosed without consent of the owner



A3