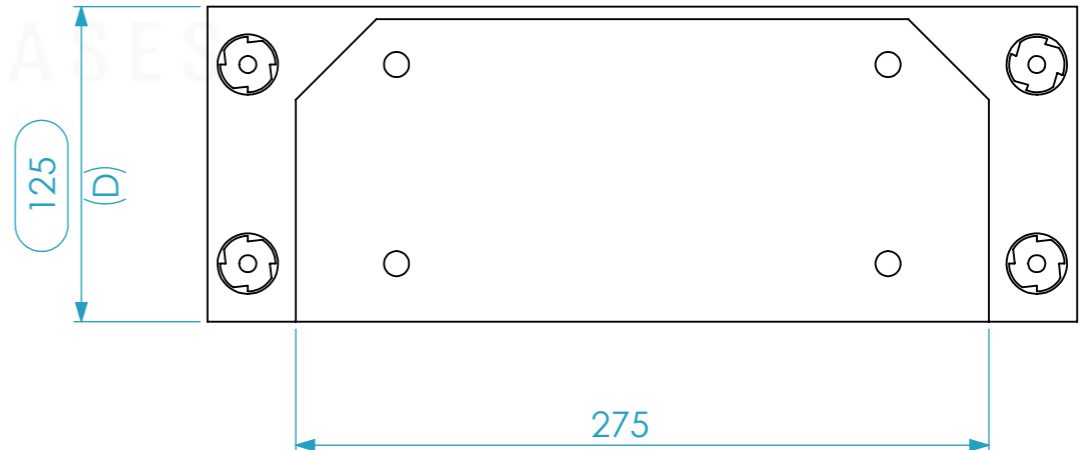
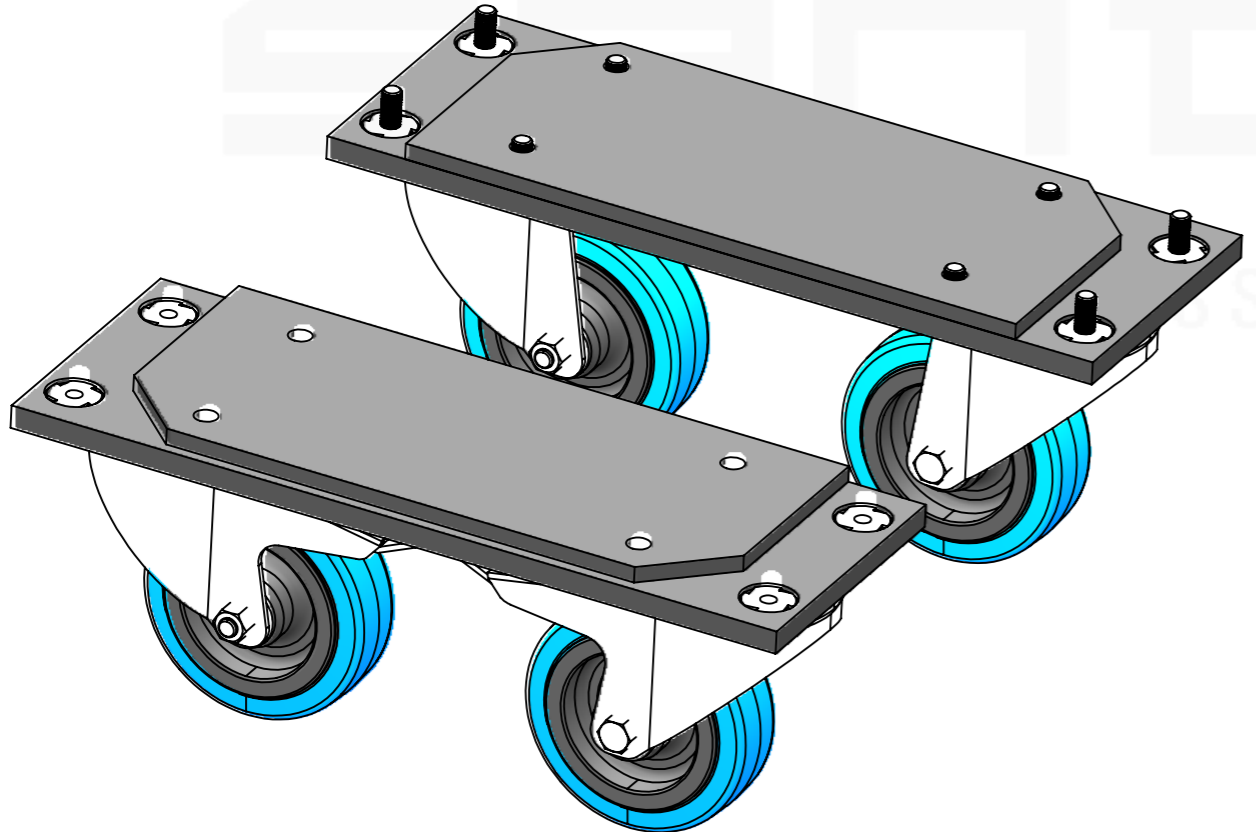
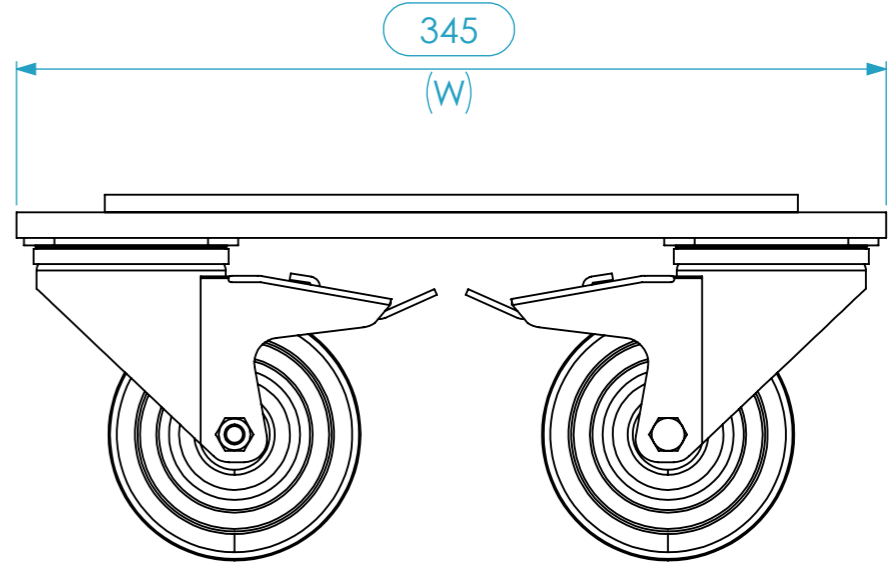
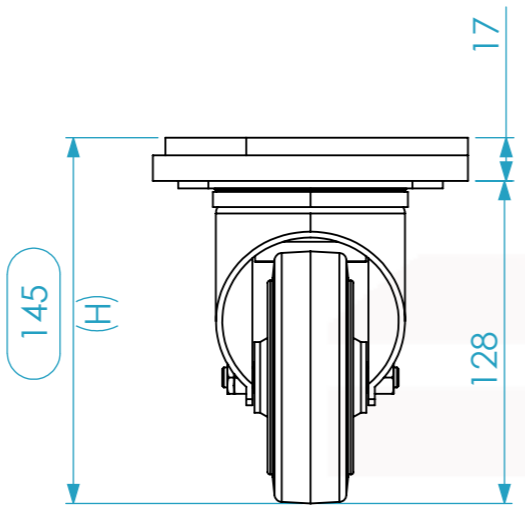


Dimensions

Width	Depth	Height
345	125	145
Weight	Approx. 4.20 Kg	
Wall Thickness		17 mm



General External Dimensions	
W	Width
D	Depth
H	Height

A3 This drawing must not be copied or disclosed without consent of the owner



Scale 1:3
 units in mm DO NOT SCALE
 general tolerance 0.8mm
 Kit de 2 suportes e 4 rodas 100mm

Name	projects	Date	15/10/2021
Reference	KR1.040		

