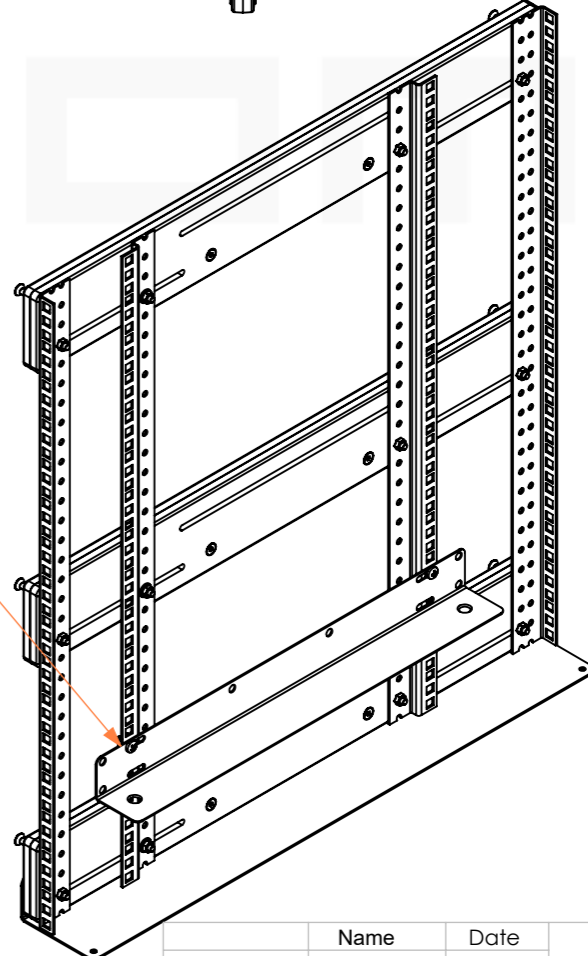
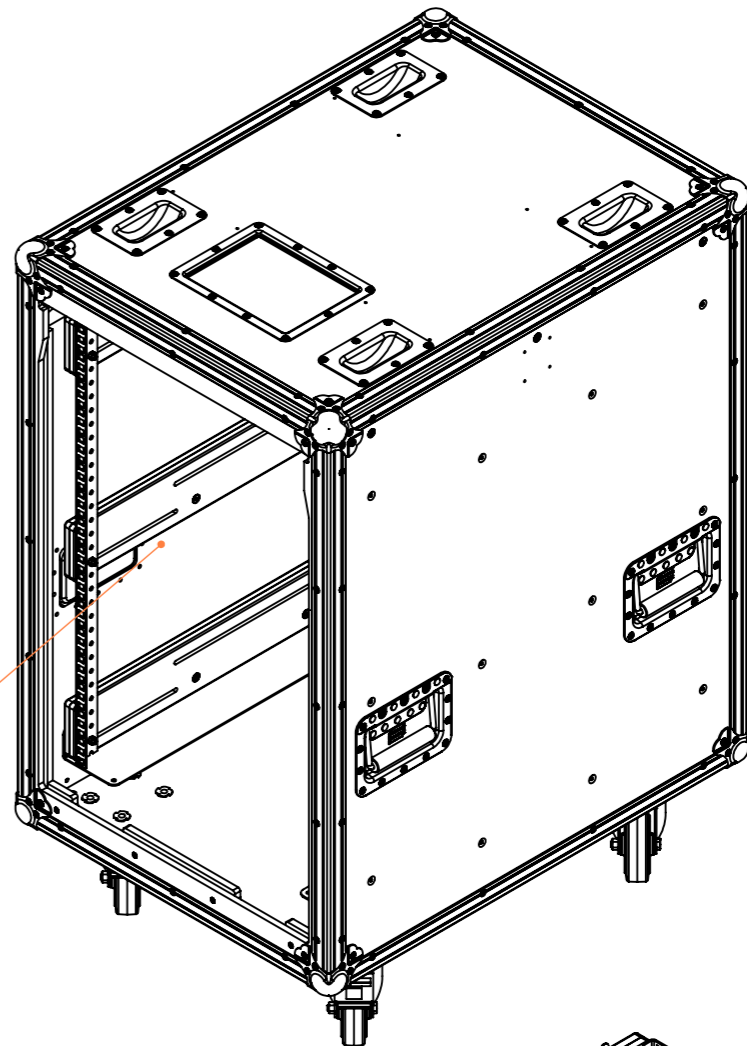
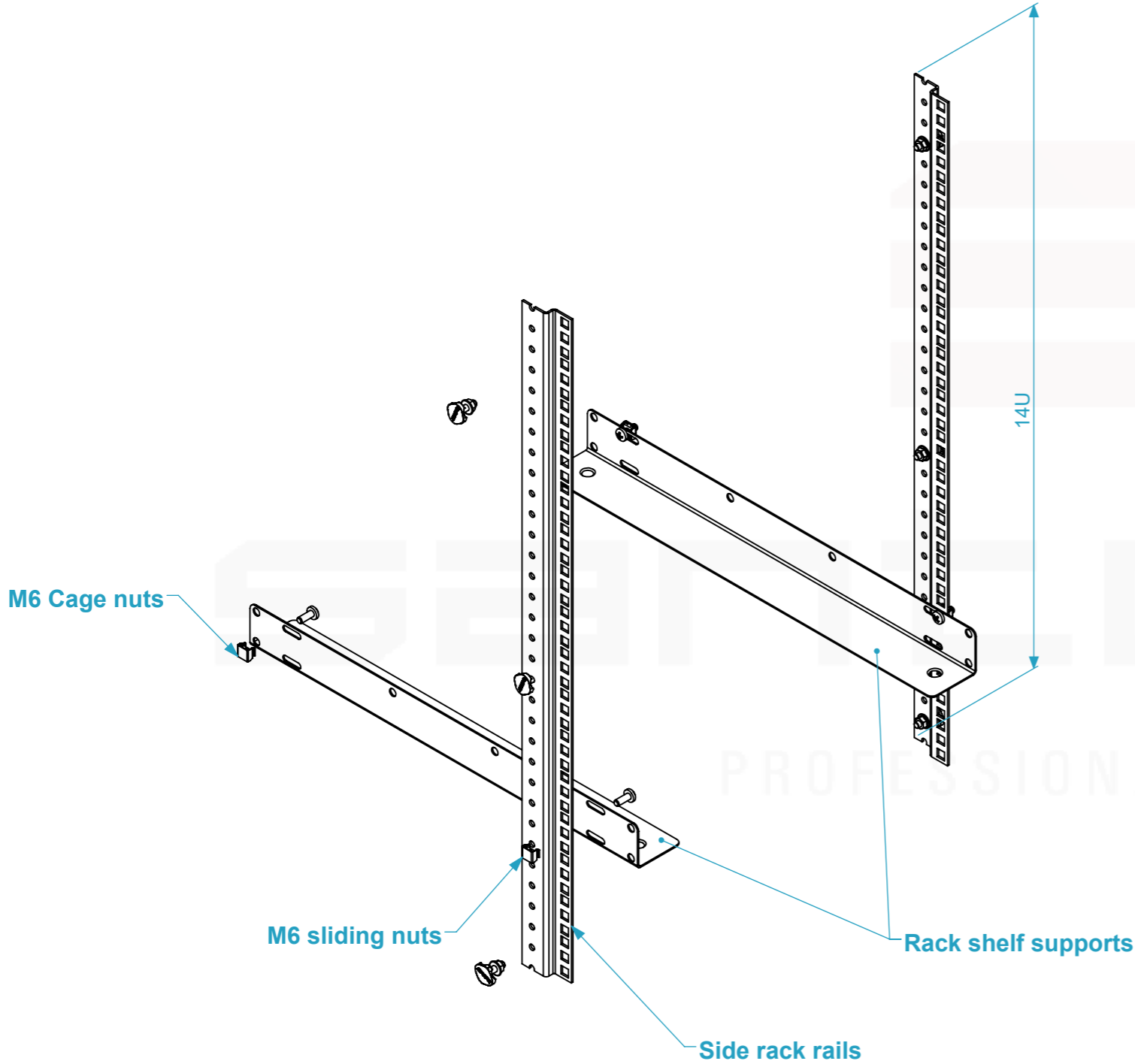


| | |
|-----------------------|-----------------|
| Weight | Approx. 1.42 Kg |
| Wall Thickness | N/ A |

ADDITIONAL DEVICE SUPPORT KIT FOR 16U RACKS



| | | | |
|--|---------------|-------------------|--------------|
| Drawn by | Paula Almeida | Date | 26/04/2023 |
| Reference | KIT10.16 | | |
| Scale | 1:7 | units in mm | DO NOT SCALE |
| | | general tolerance | 0.8mm |
| Kit Rack 16U p/ Apoio de Equipamentos | | | |



This drawing must not be copied or disclosed without consent of the owner



A3