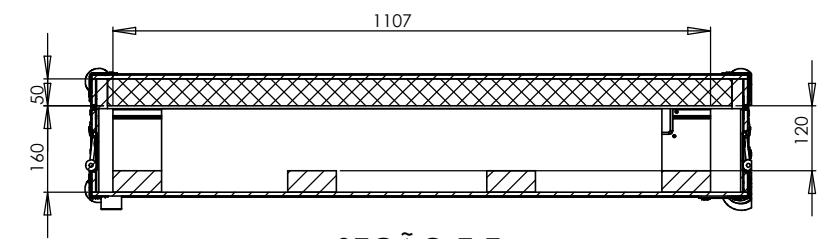


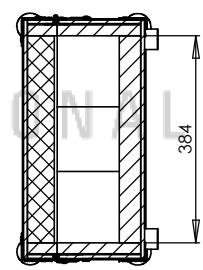
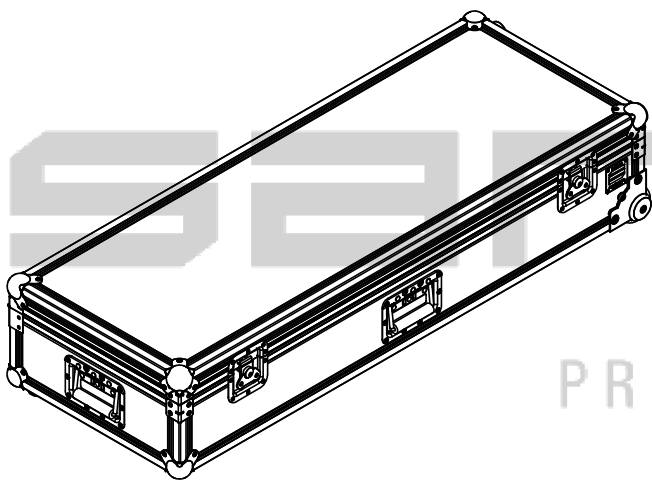
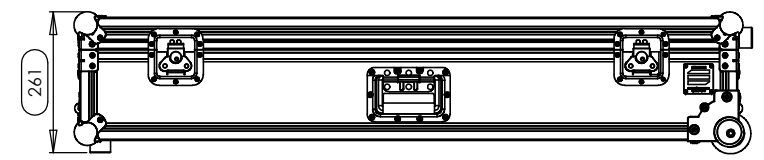
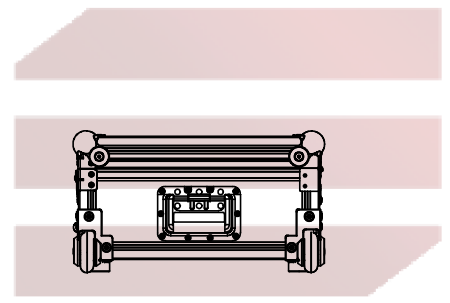
Interior dimensions

Width	Depth	Height
1107	384	140
Weight	Approx. 19 Kg	
Wall Thickness	7mm	

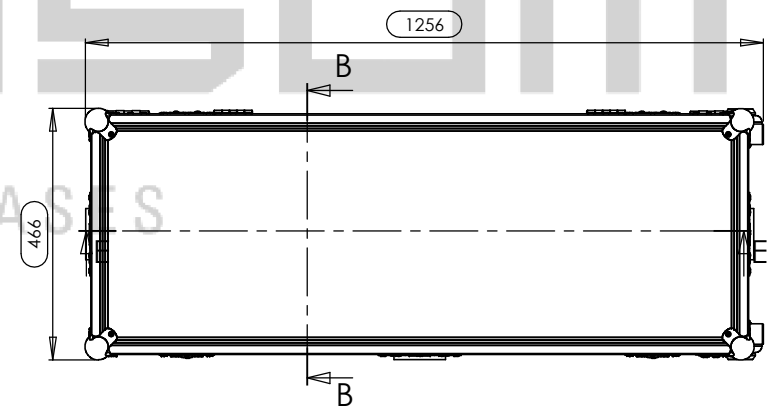
REVISIONS				
ZONE	REV.	DESCRIPTION	DATE	APPROVED
-	0	Final Drawing	28/01/2016	Carlos Rodrigues



SEÇÃO E-E



SECTION B-B



Hardware	
Qty	Description
4	
4	Large corner bracket f. 35mm case angle
6	Medium ball corner zinc plated
3	Recessed sprung handle medium model
2	Key lockable medium Butterfly special
2	Medium recessed lid stay
2	110MM hinge shot
2	Medium duty butt hinge z./p.

Drawn by	projects	Date	28/01/2016
Reference	KEYBRD.325	Scale	1:2
This drawing must not be copied or disclosed without consent of the owner.		1st Angle projection	general tolerance 6.3mm

Reference: KEYBRD.325
 Scale: 1:2
 1st Angle projection
 FORG TRITON STUDIO 61 KEYS, RODA

santosom
 PROFESSIONAL CASES