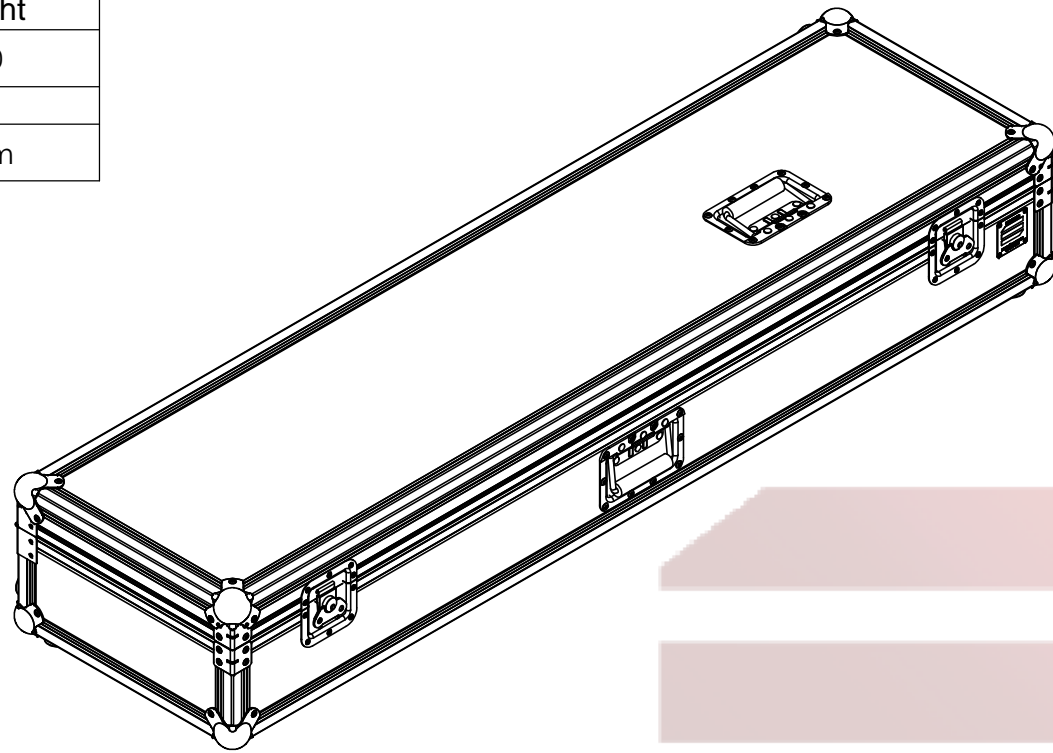


Interior dimensions

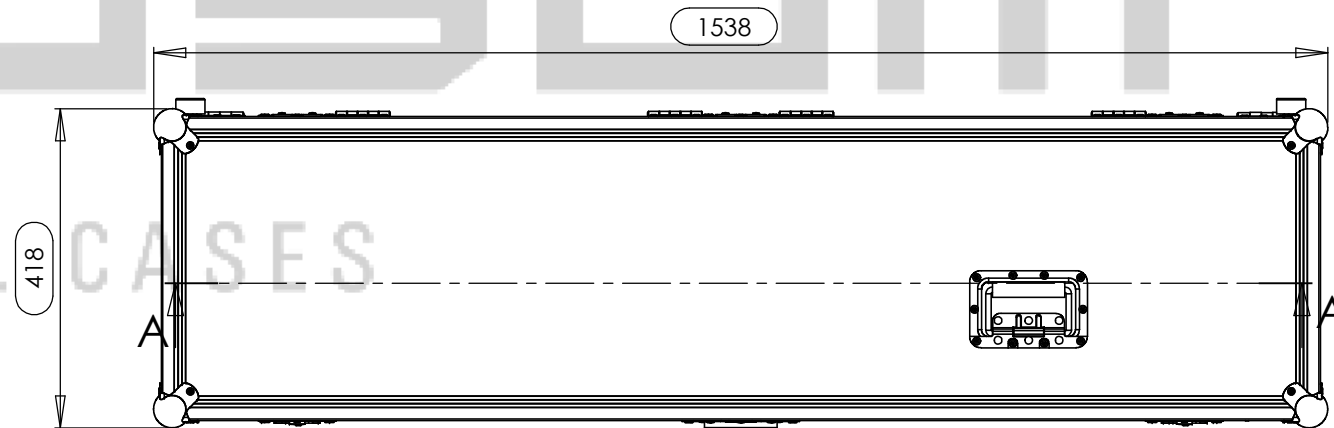
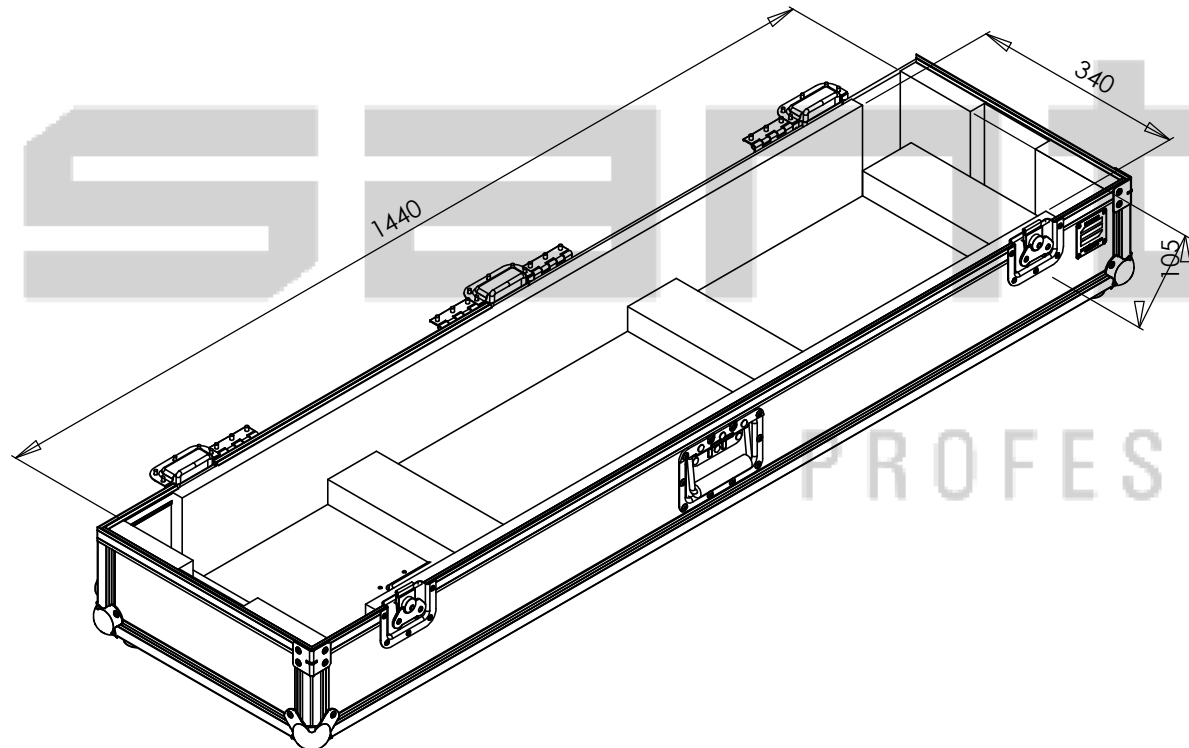
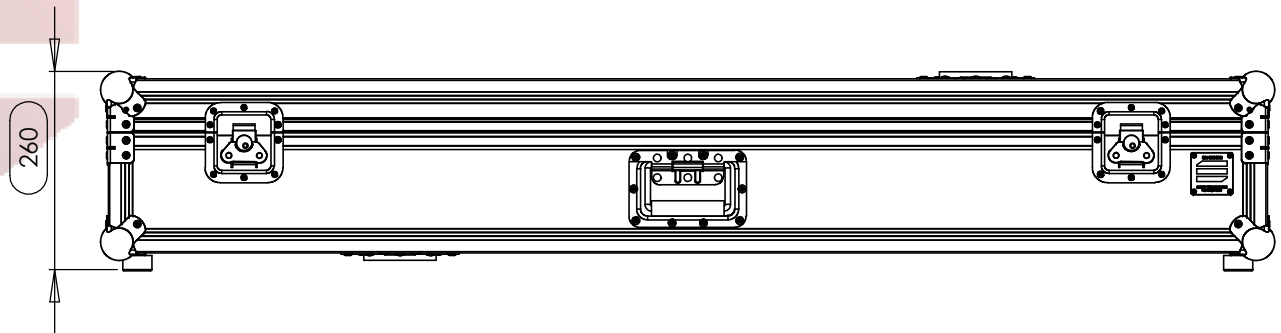
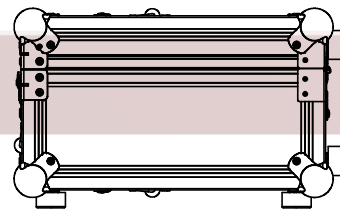
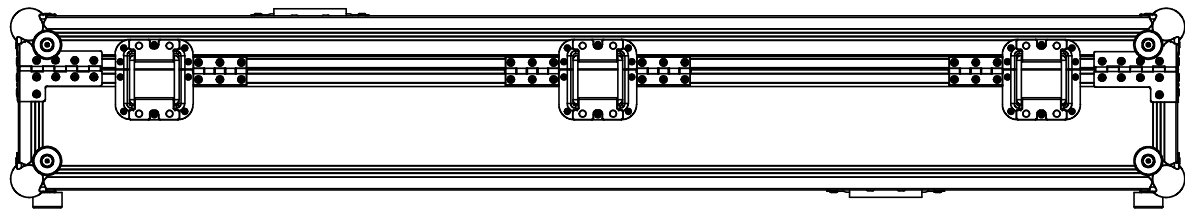
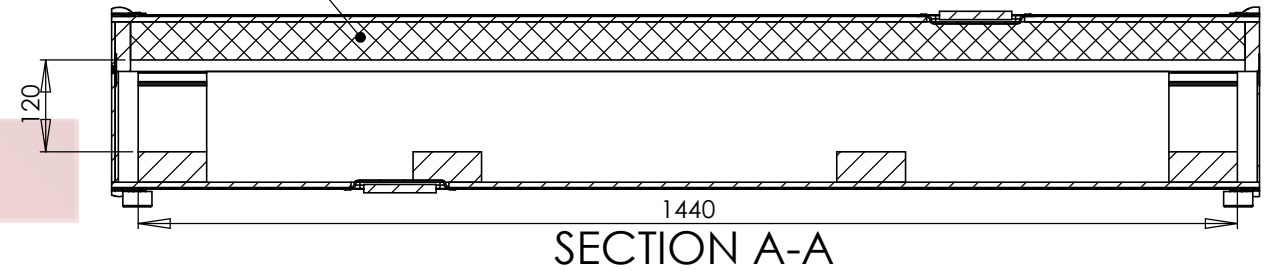
| | | |
|----------------|---------------|--------|
| Width | Depth | Height |
| 1440 | 340 | 140 |
| Weight | Approx. 17 Kg | |
| Wall Thickness | 7mm | |

REVISIONS

| ZONE | REV. | DESCRIPTION | DATE | APPROVED |
|------|------|---------------|------------|------------------|
| - | - | Final Drawing | 16/06/2015 | Carlos Rodríguez |



eggbox 50mm



Hardware

| Qty | Ref. | Description |
|-----|--------|---|
| 4 | 40403 | Large corner bracket f. 35mm case angle |
| 8 | 4120 | Medium ball corner zinc plated |
| 3 | 34082 | Recessed sprung handle medium model |
| 2 | 17290S | Key lockable medium Butterfly special |
| 3 | 27096 | Medium recessed lid stay |
| 2 | DCR110 | 110MM hinge shot |
| 4 | 2602 | Medium duty butt hinge z./p. |
| 8 | 4909 | 38 mm rubber foot black with steel insert. Height: 20 mm. |

This drawing must not be copied or disclosed without consent of the owner

| | | |
|-----------|--------------------------------|--------------|
| Drawn by | Name | Date |
| projects | KEYBRD.322 | 17/06/2015 |
| Reference | FC, ROLAND RD300 NX 88 KEYS | Scale 1:7 |

