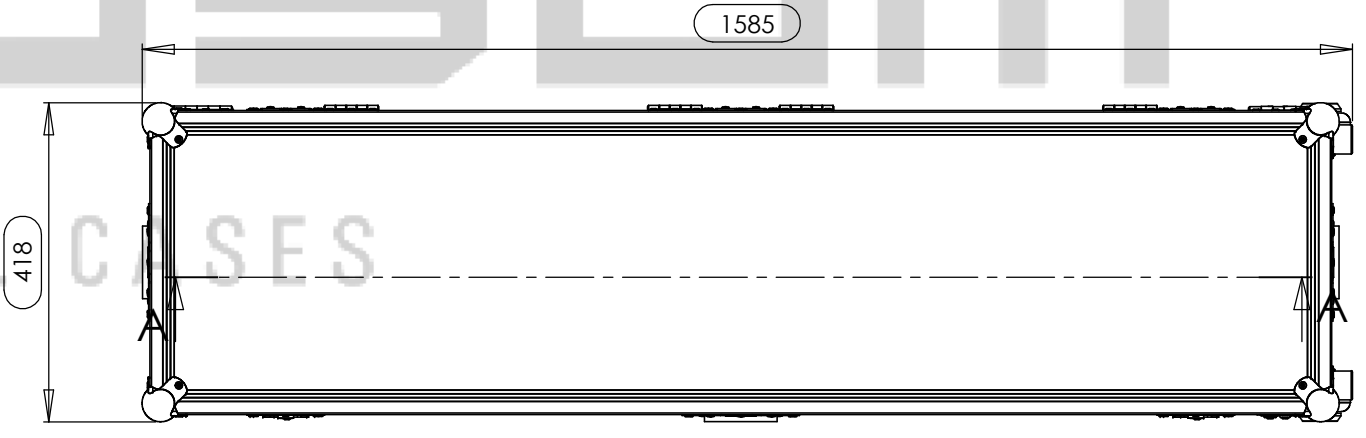
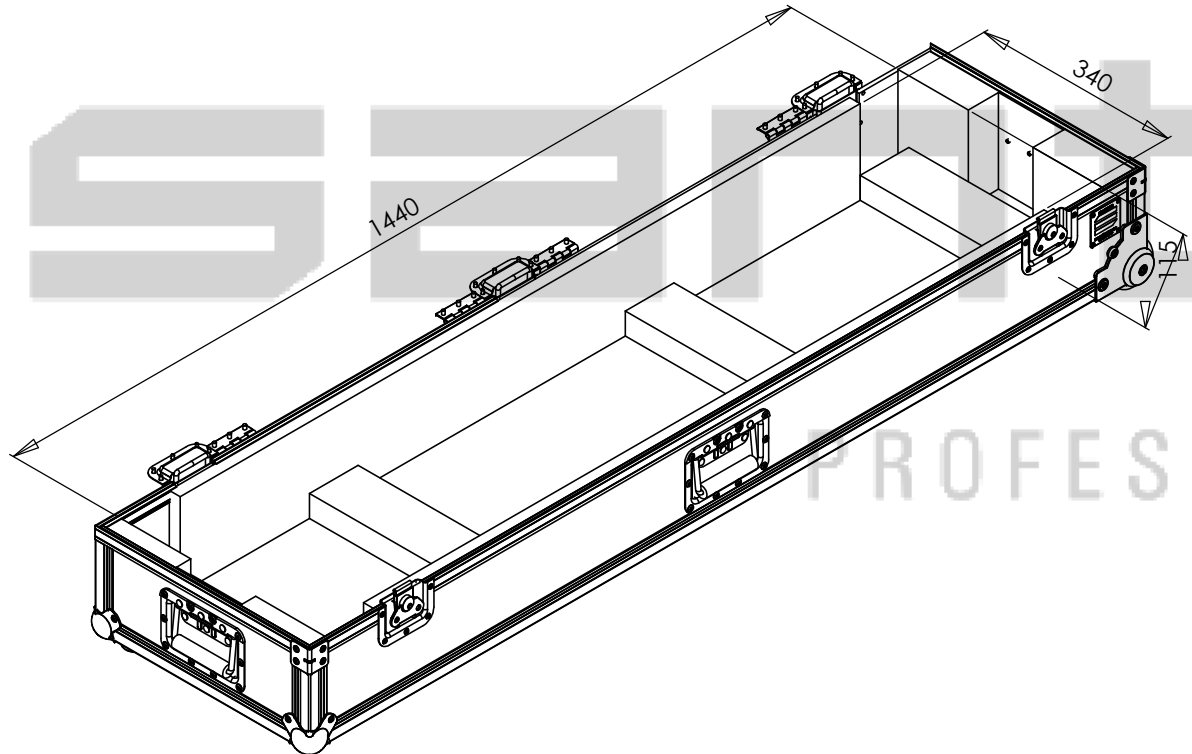
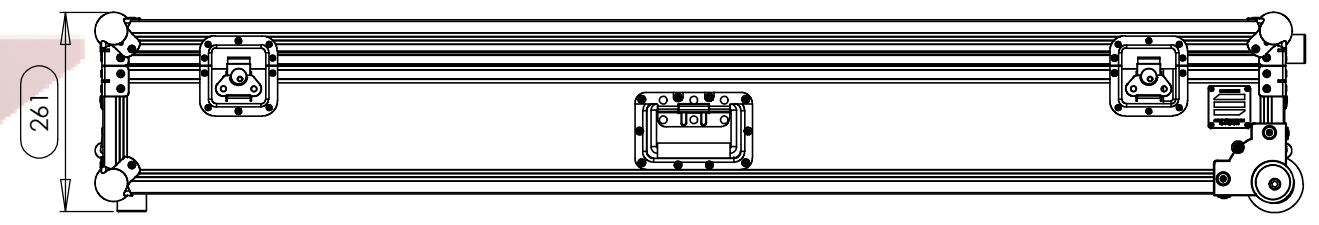
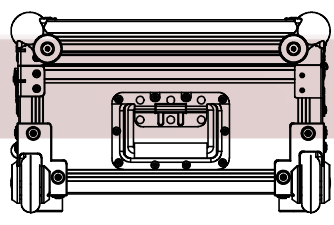
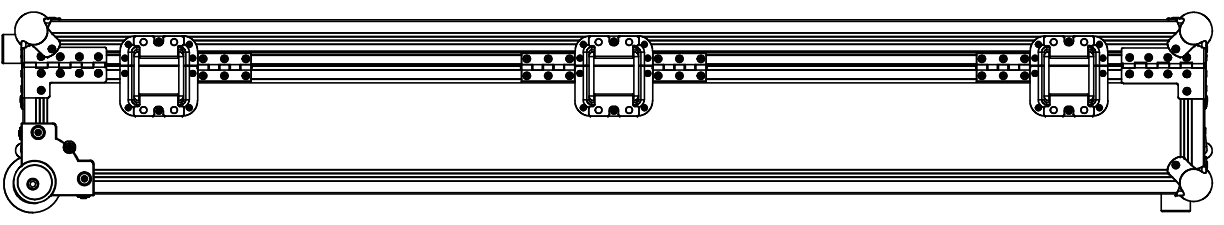
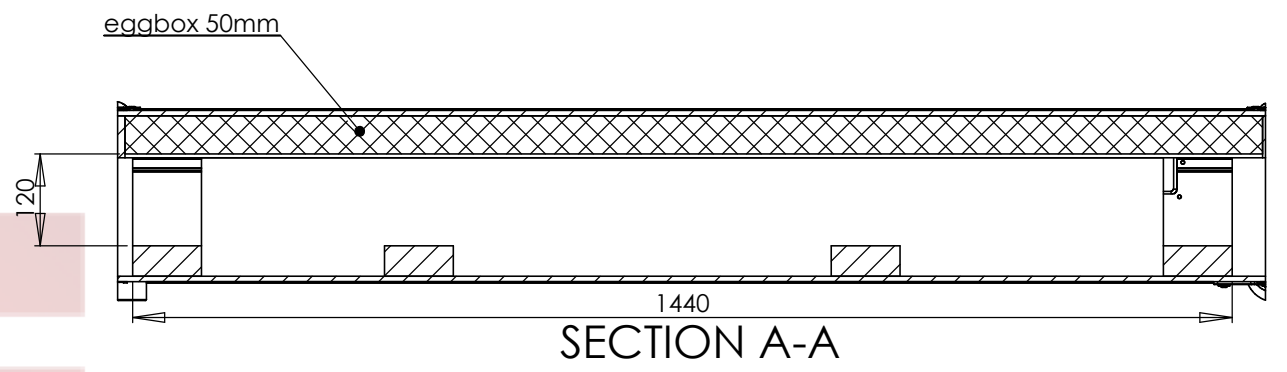
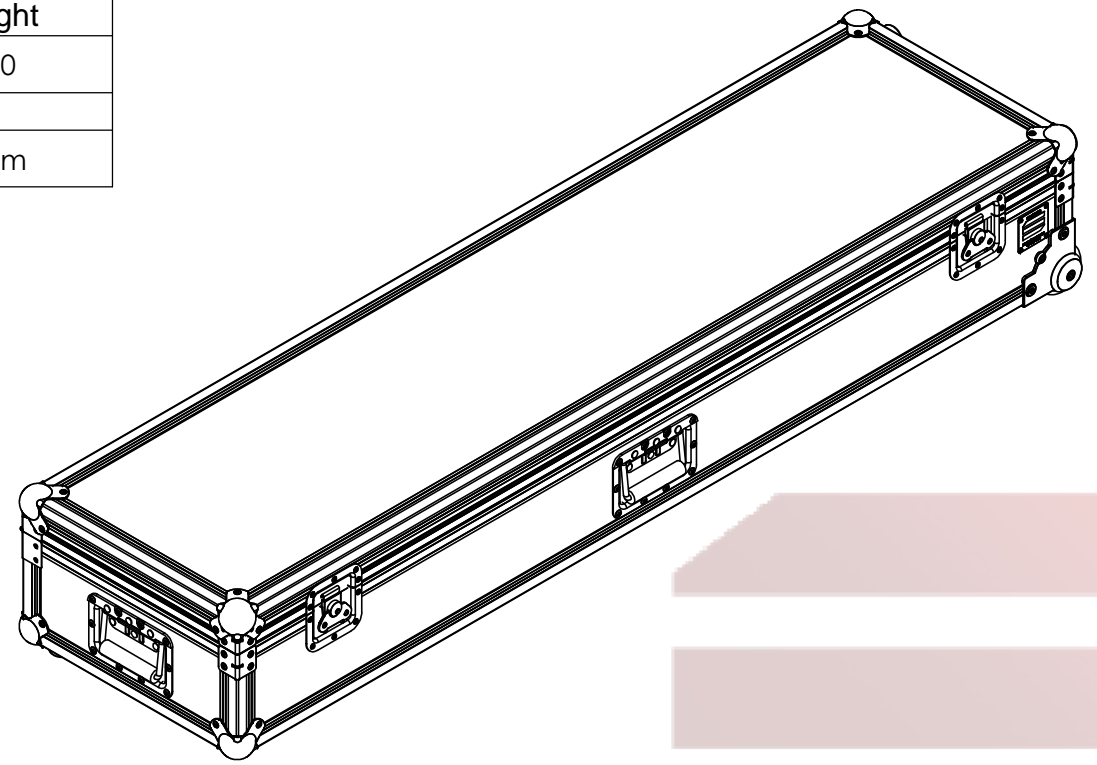


Interior dimensions

Width	Depth	Height
1440	340	140
Weight	Approx. 18 Kg	
Wall Thickness	7mm	

REVISIONS

ZONE	REV.	DESCRIPTION	DATE	APPROVED
-	-	Final Drawing	16/06/2015	Carlos Rodríguez



Hardware

Qty	Ref.	Description
2	37451	Recessed Corner Castor 75mm, Die-Cast Housing
4	4911	Rubber foot 38 x 25 mm with steel insert
4	40403	Large corner bracket f. 35mm case angle
6	4120	Medium ball corner zinc plated
3	34082	Recessed sprung handle medium model
2	17290S	Key lockable medium Butterfly special
3	27096	Medium recessed lid stay
2	DCR110	110MM hinge shot
4	2602	Medium duty butt hinge z./p.

Drawn by	projects	Name	KEYBRD.321	Date	16/06/2015
Reference		Scale	1:7	general tolerance	0.8mm
This drawing must not be copied or disclosed without consent of the owner		FC, ROLAND RD300 NX 88 KEYS			