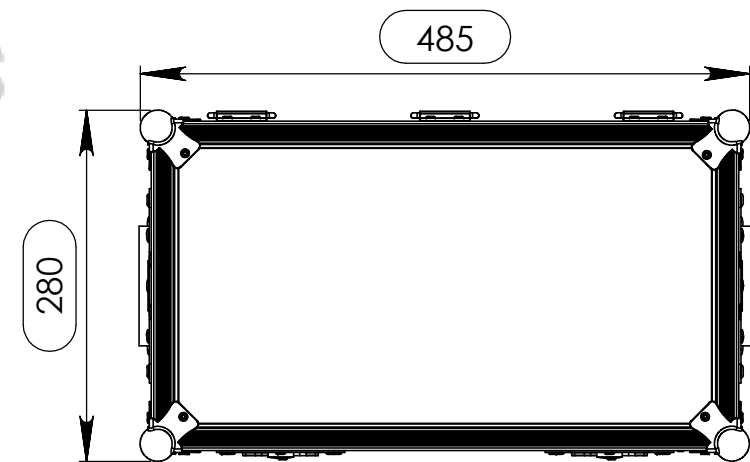
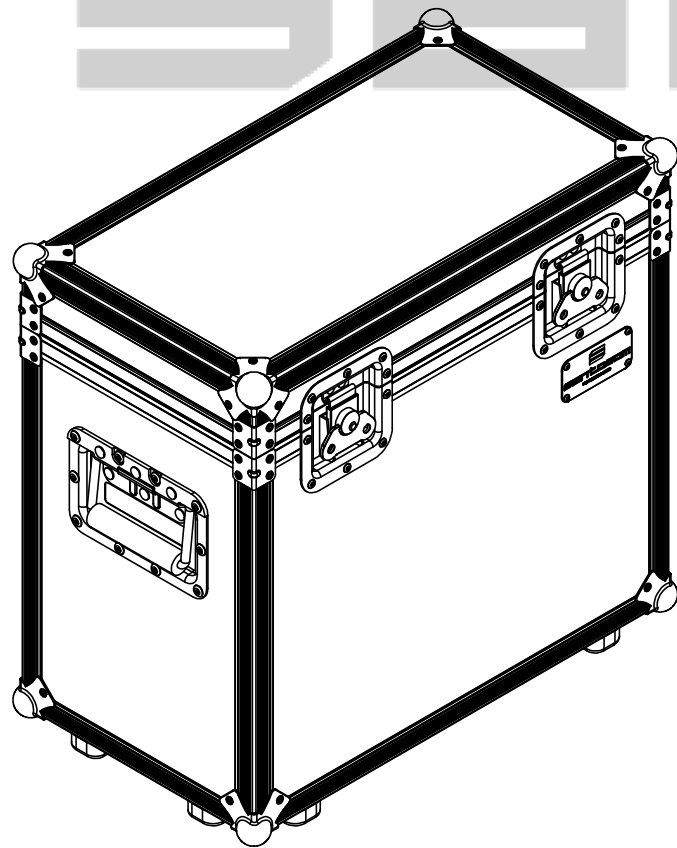
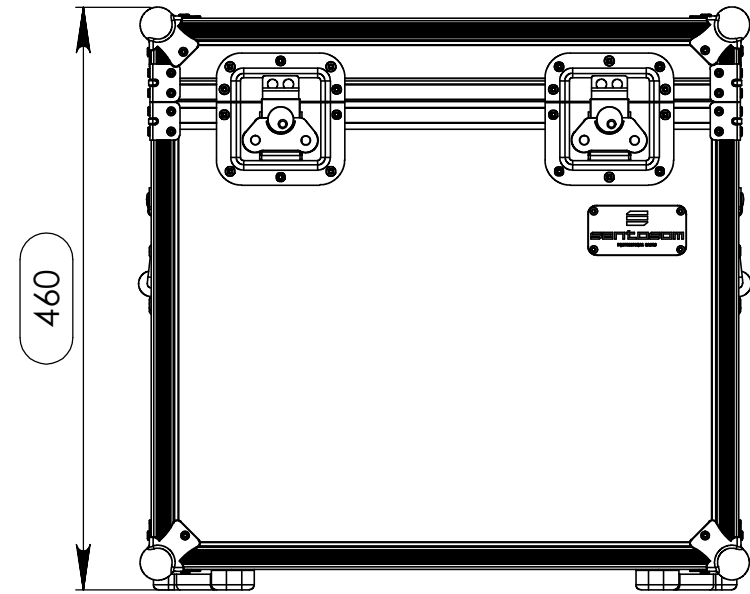
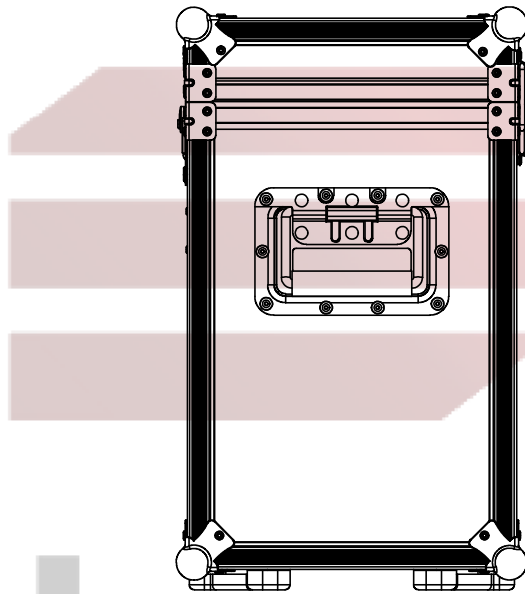
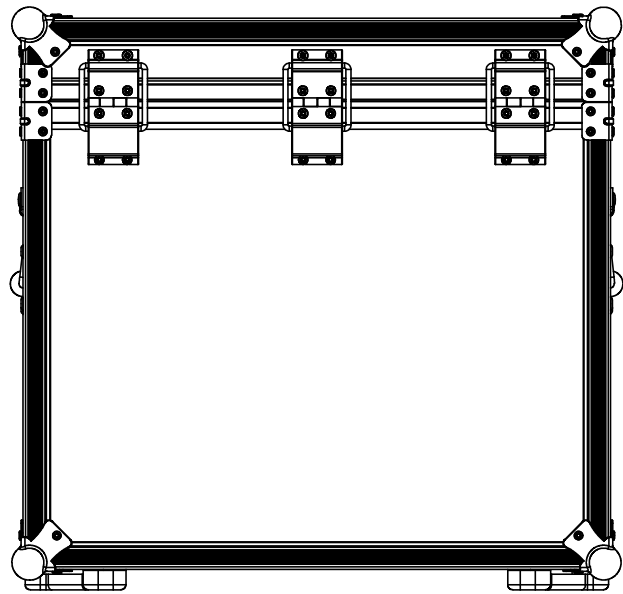


Interior dimensions		
Width	Depth	Height
425	220	380
Weight	Approx. 12 Kg	
Wall Thickness		7mm



santosom
PROFESSIONAL CASES

Drawn by	Name	Date
DanielLopes	DanielLopes	14-03-2012
Reference	KEYBRD.297	
Scale	units in mm	general tolerance
1:6	DO NOT SCALE	0.8mm
FC, Acordeon W425xD220xH380mm		



This drawing must not be copied or disclosed without consent of the owner

