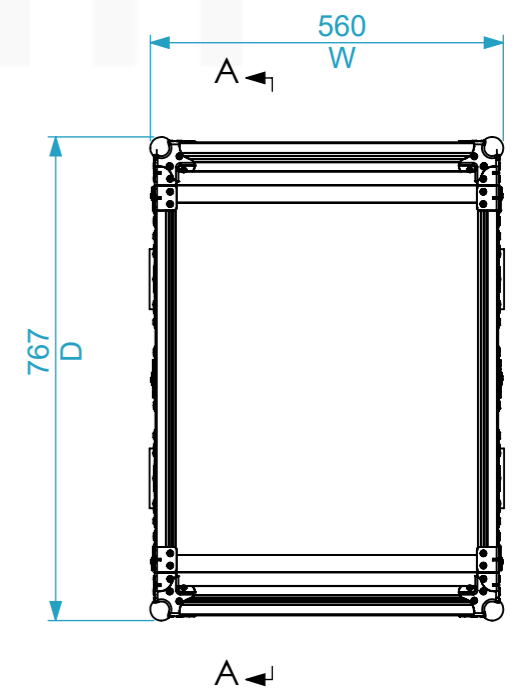
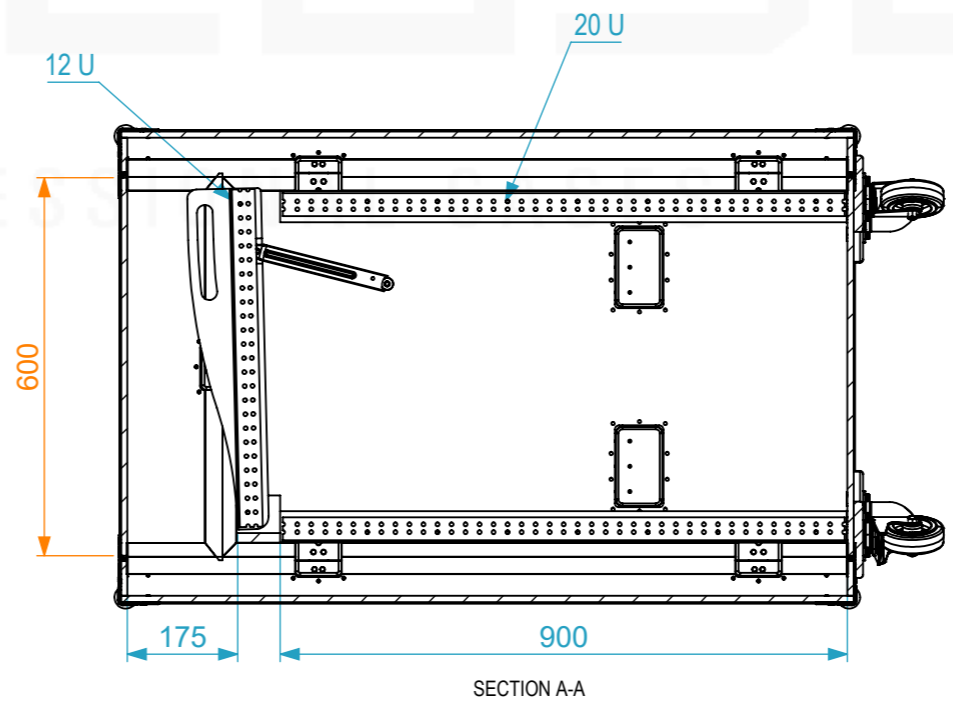
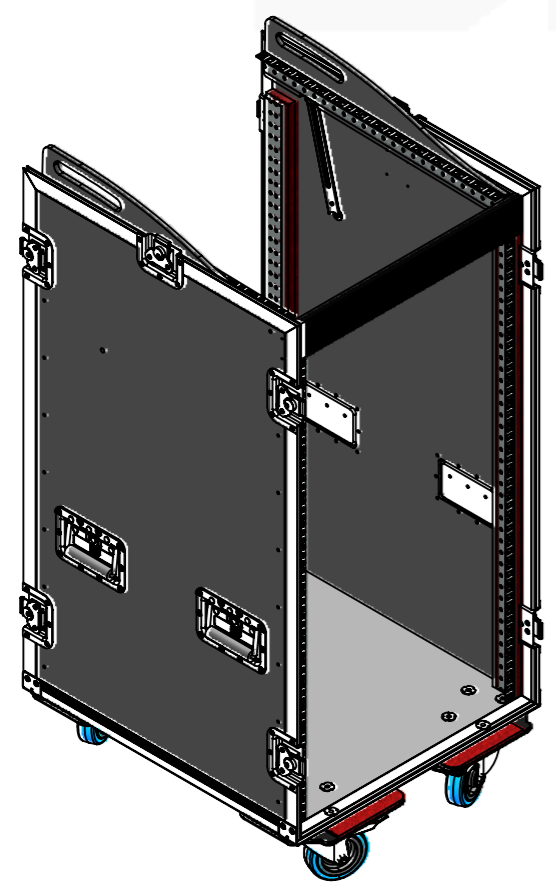
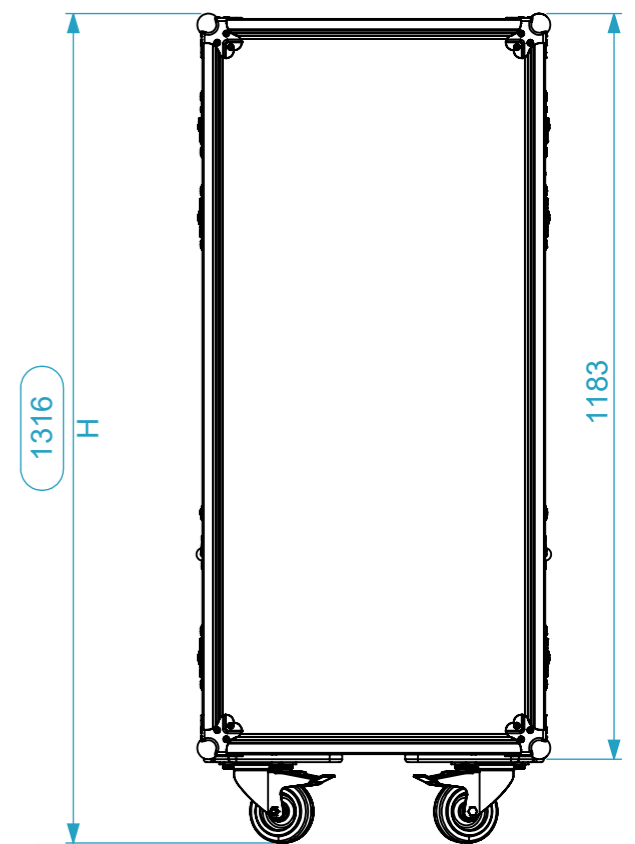
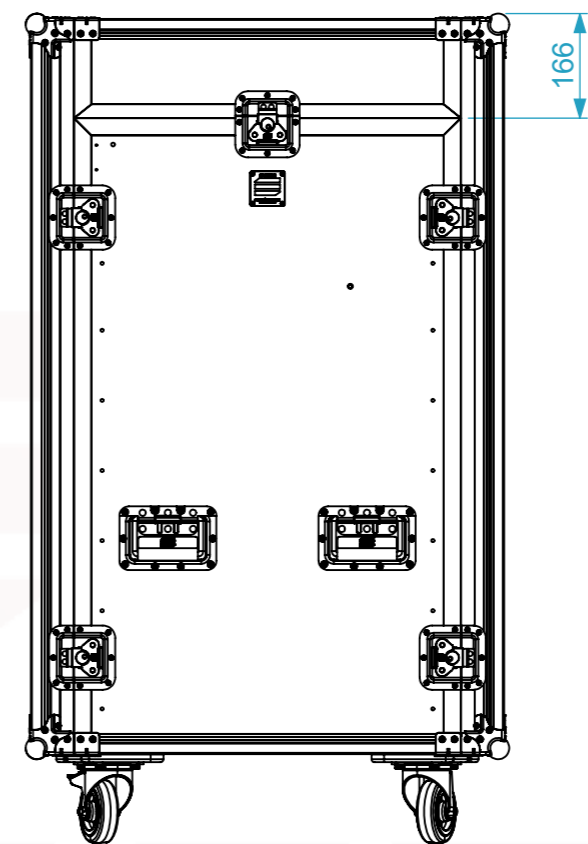
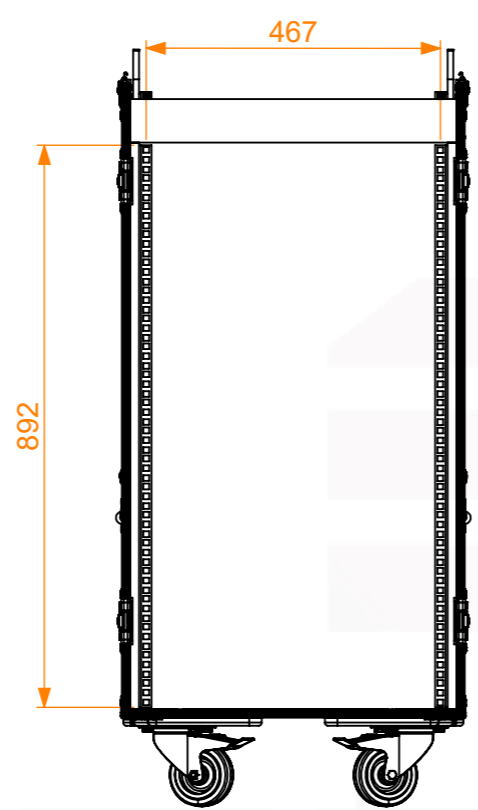
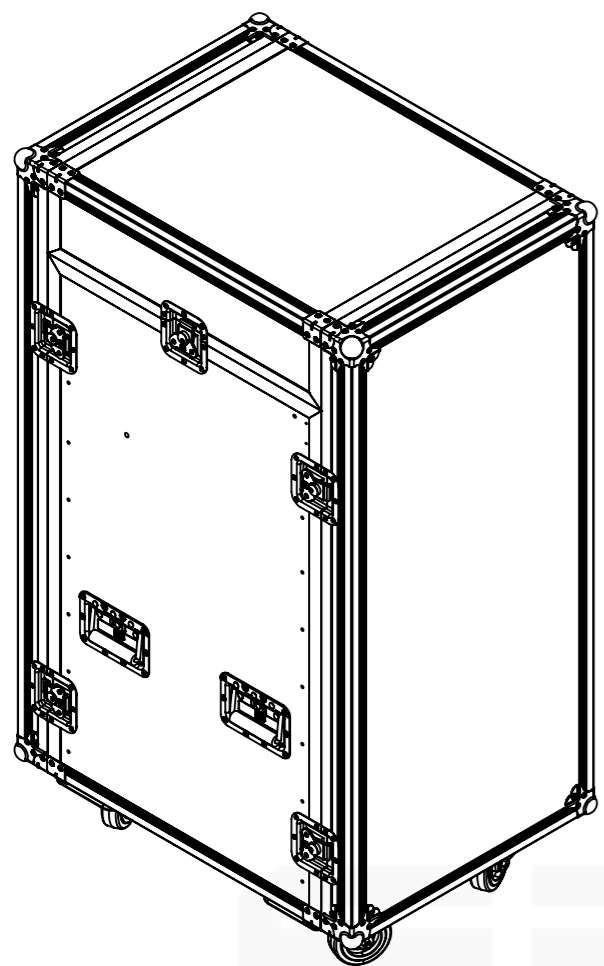


### Internal Dimensions

<b>Width</b>	<b>Depth</b>	<b>Height</b>
490	600	20U
<b>Weight</b>	Approx. 45 Kg	
<b>Wall Thickness</b>		10mm



<b>Name</b>	projects	<b>Date</b>	28/04/2022
<b>Reference</b>	K3T.2012RA		
<b>Scale</b>	1:12	<b>units in mm</b>	<b>general tolerance</b> 0.8mm
<b>1st Angle projection</b>	DO NOT SCALE		
Rack 3CR-Rack 20U 12U-Up/Down (higher lid)			



This drawing must not be copied or disclosed without consent of the owner

A3