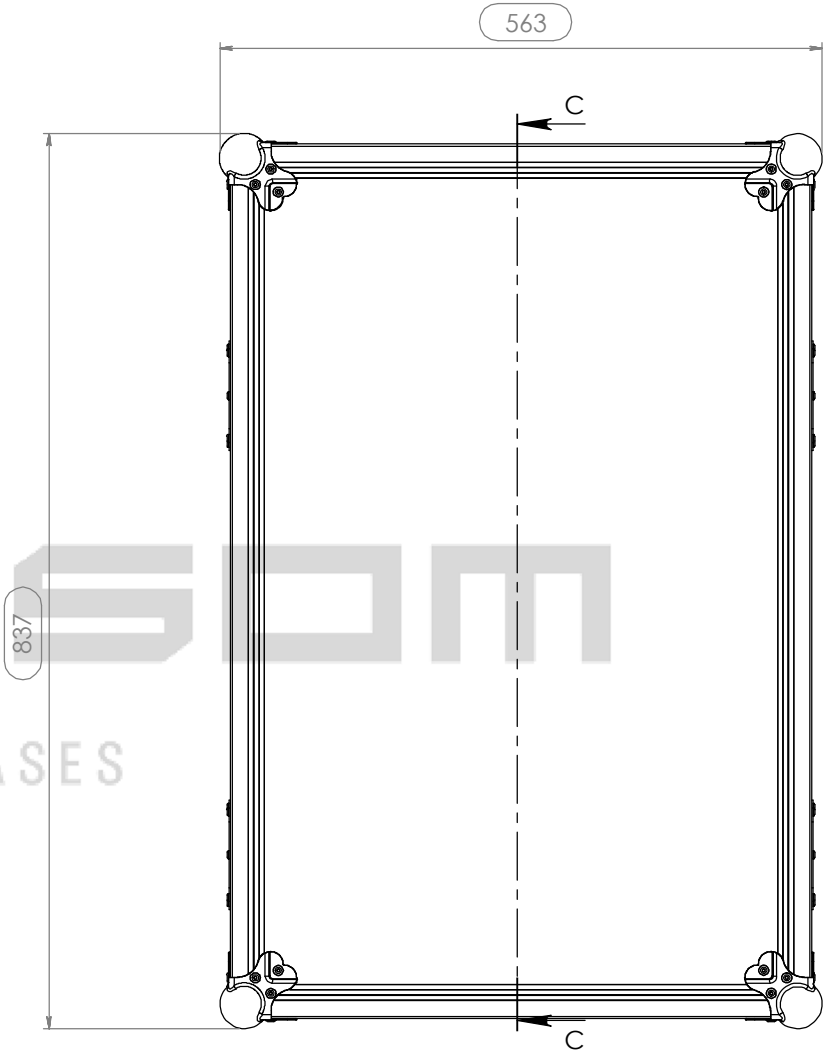
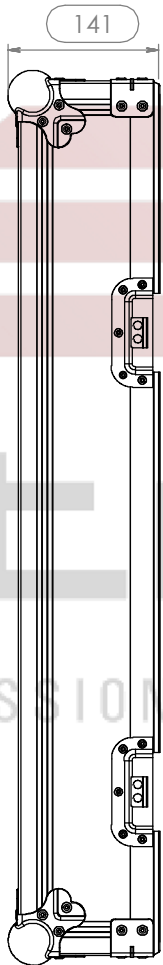
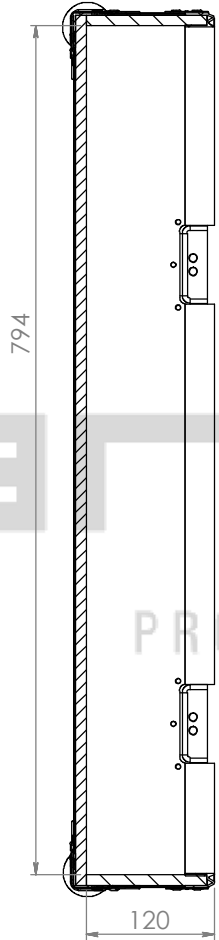
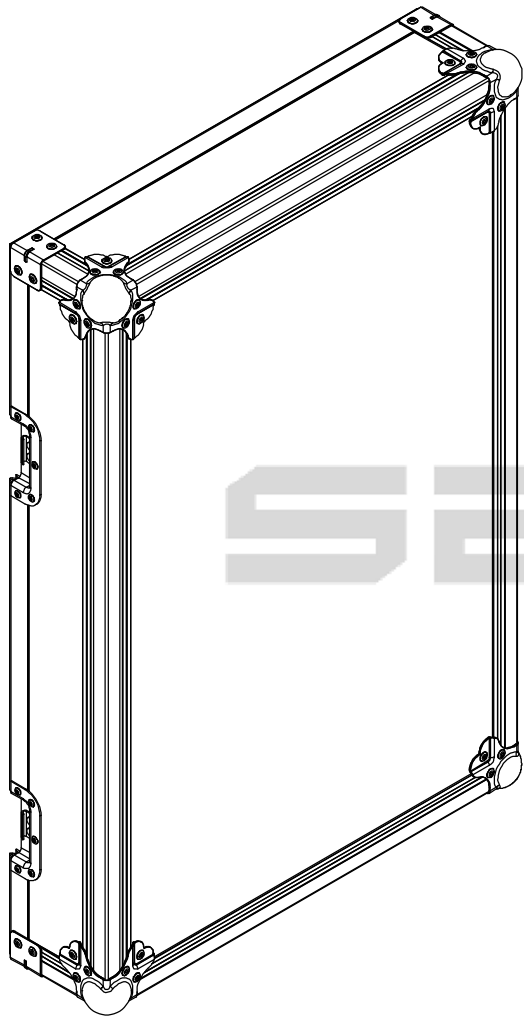


Interior dimensions		
Width	Depth	Height
19"	600	14Un
Weight	Approx. 8 Kg	
Wall Thickness		10mm

REVISIONS				
ZONE	REV.	DESCRIPTION	DATE	APPROVED
-	0	Final Drawing	07/12/2015	Carlos Rodrigues



SECTION C-C

This drawing must not be copied or disclosed without consent of the owner



Scale 1:5
TAMPA PARA 19" RACK 3D 14U 120MM.

Drawn by	Name	Date
Telmo Santos	Telmo Santos	07/12/2015
Reference	K3T.1412.A01	
Scale	units in mm	general tolerance 0.8mm
1:5	DO NOT SCALE	

