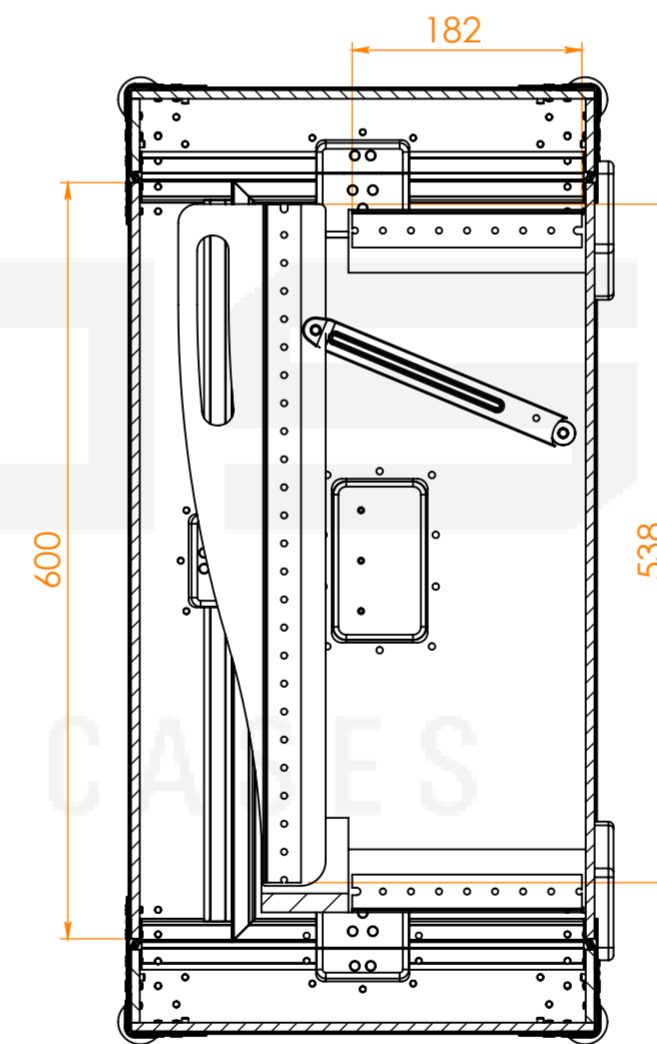
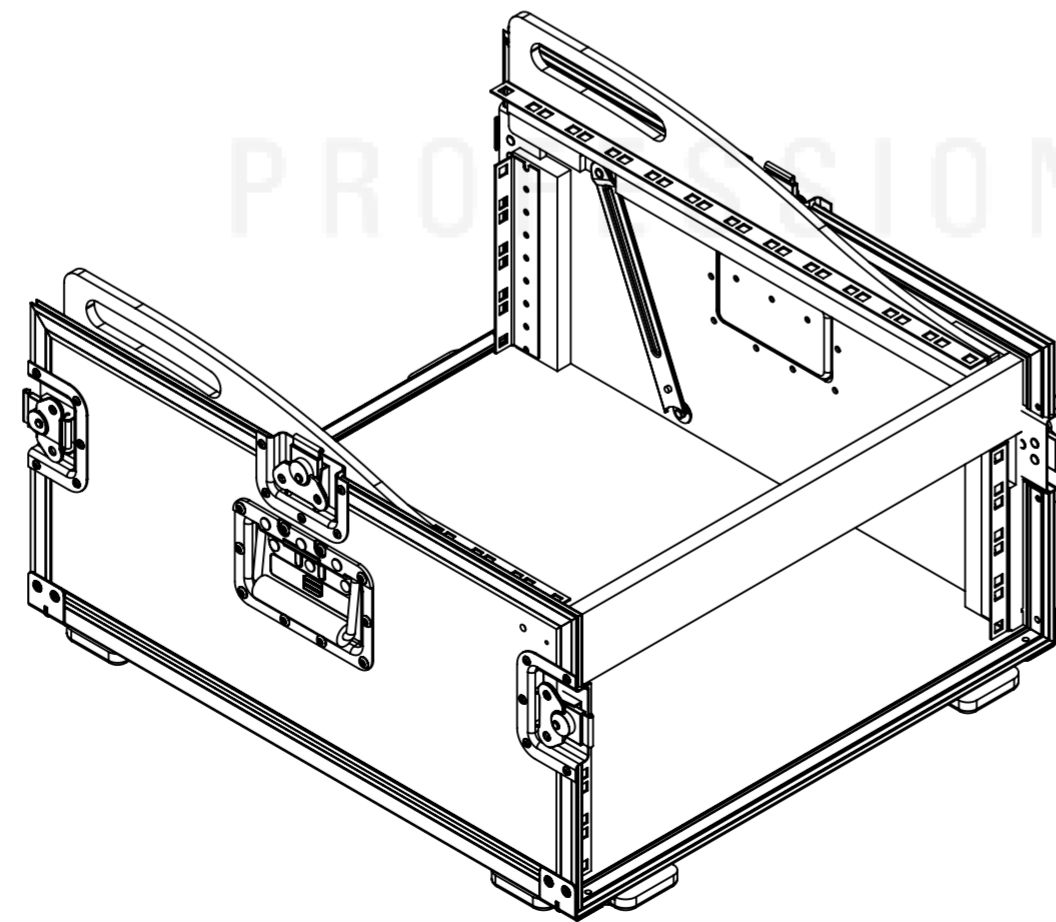
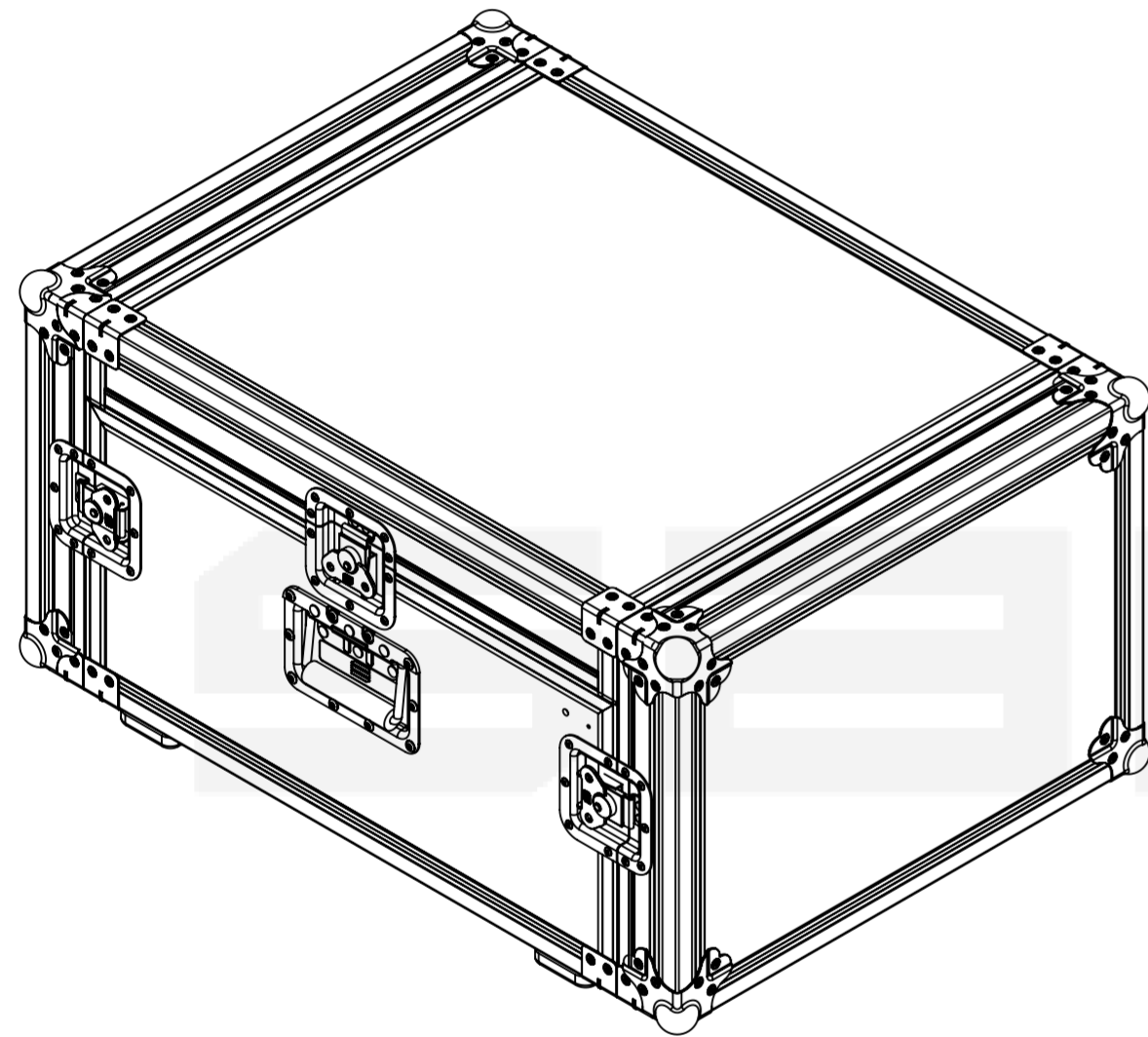
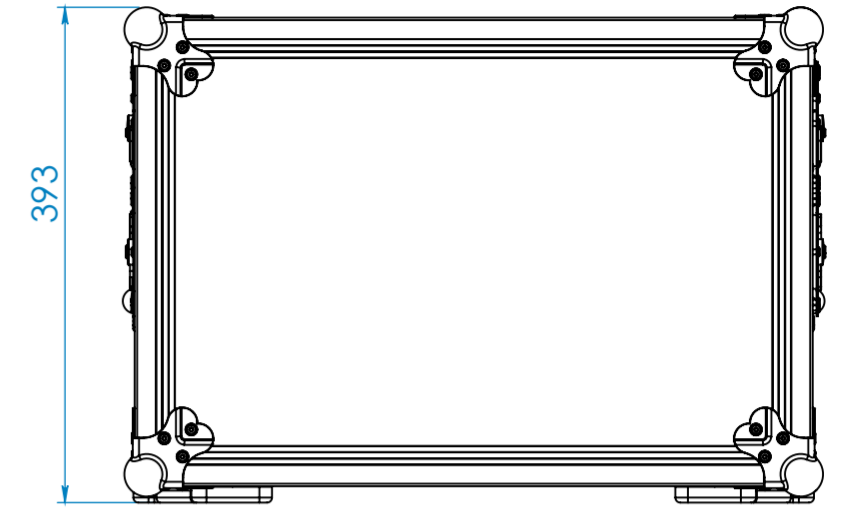
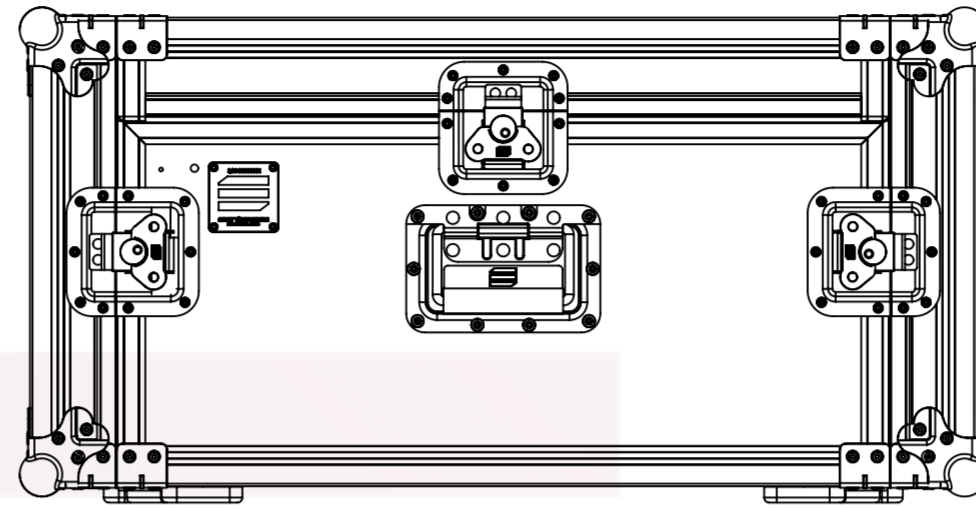
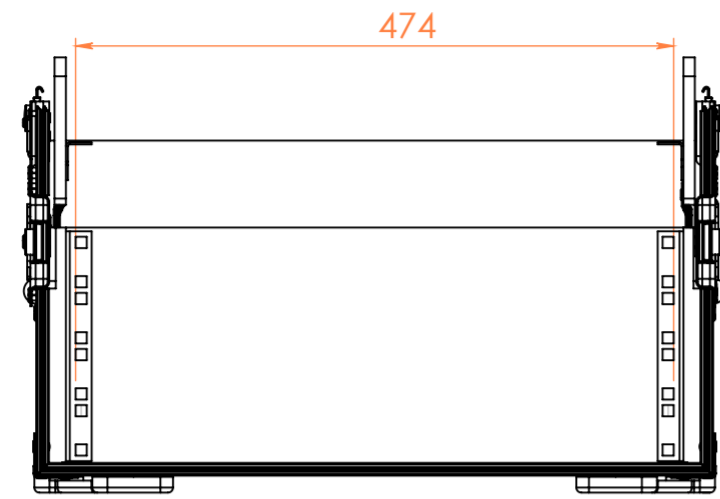
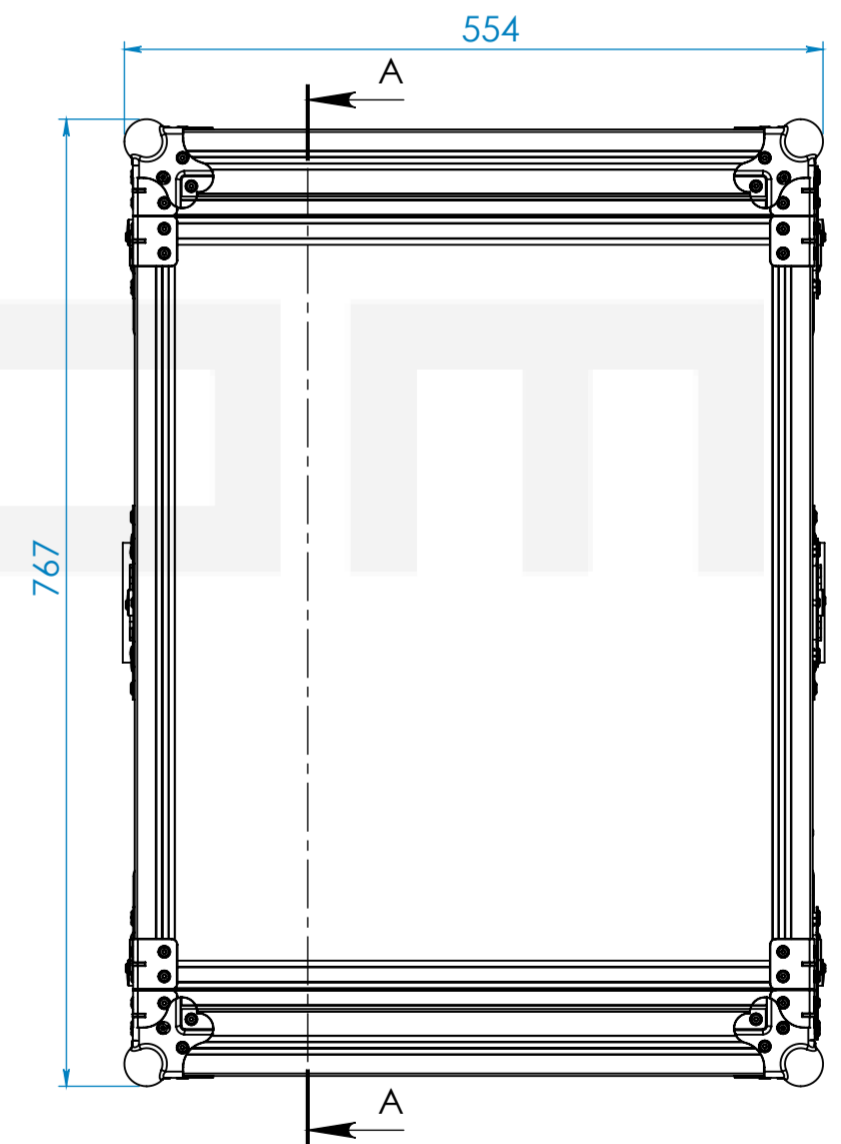


Interior dimensions		
Width	Depth	Height
19"	600	4Un
Weight	Approx. 17 Kg	
Wall Thickness	7mm	



SECTION A-A



Name	Date
Drawn by	telmosantos 12/12/2019
Reference	K3T.0412
Scale	1:6
units in mm	DO NOT SCALE
general tolerance	0.8mm
1st Angle projection	Rack 19" 3 Tampas 4U 12U Up/Down

This drawing must not be copied or disclosed without consent of the owner

