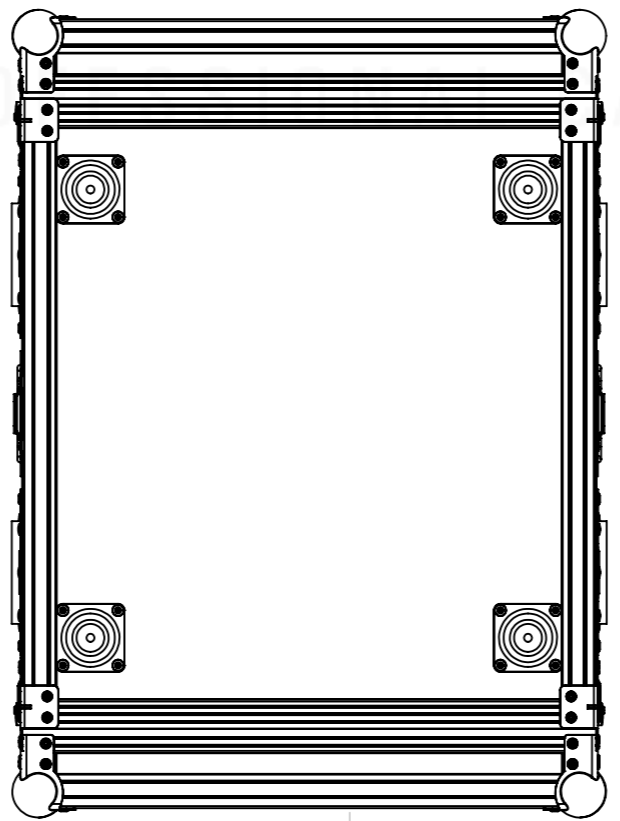
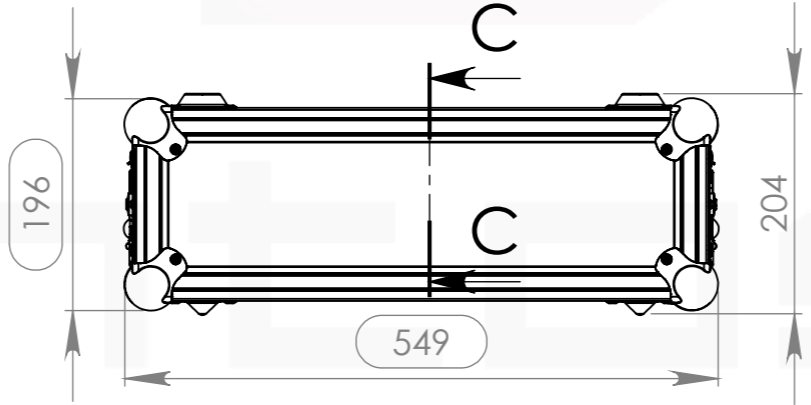
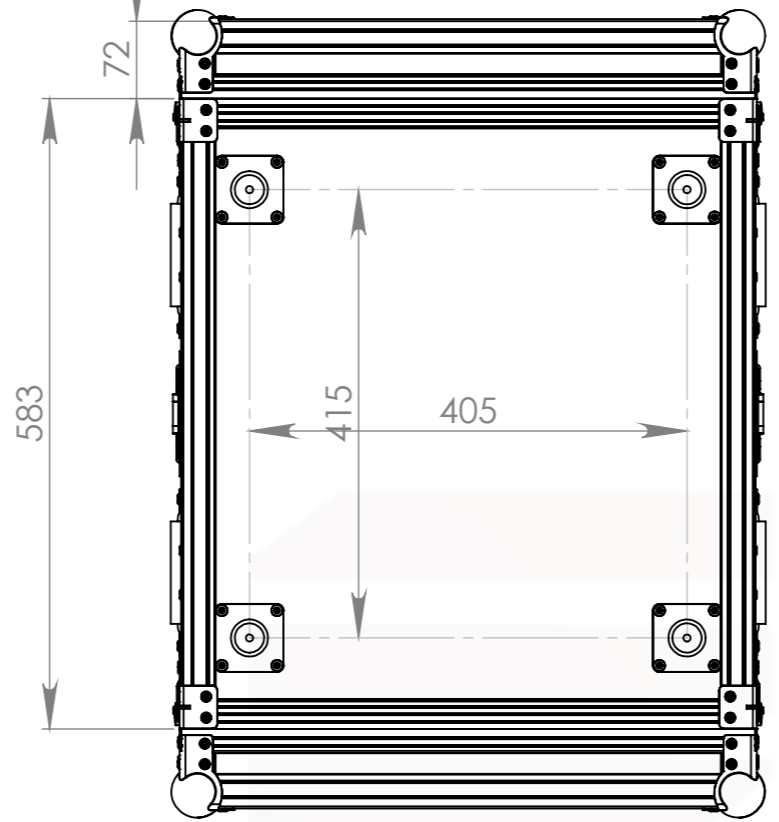
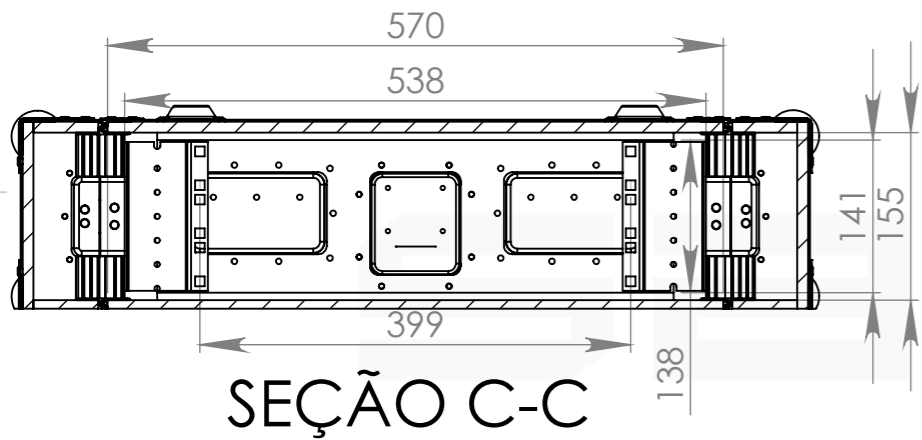
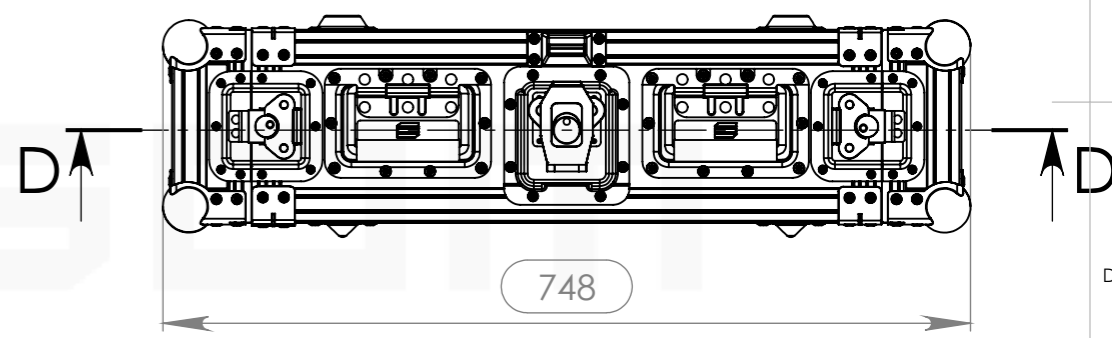
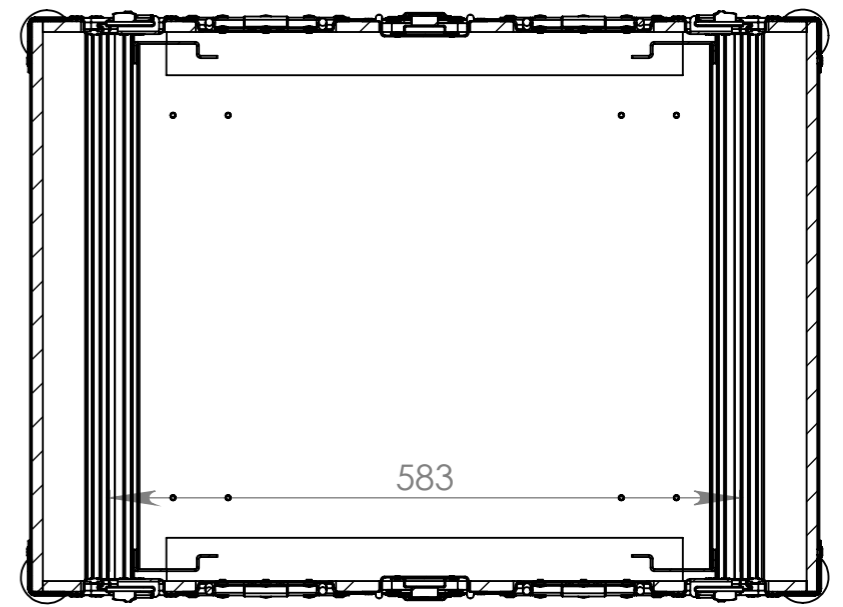


### Interior dimensions

Width	Depth	Height
19"	570	3Un
Weight	Approx. 18 Kg	
Wall Thickness	10mm	



### SECTION D-D



Hardware		
Qty	Ref.	Description
4	17290S	Key lockable medium Butterfly special
4	34082	Recessed sprung handle medium model
8	41201	COMBINED BALL CORNER AND BRACE 68MM HIGH
8	40403	Large corner bracket f. 35mm case angle
2	17343	Small overlatching butterfly catch in dish.

This drawing must not be copied or disclosed without consent of the owner

Drawn by	Name	Date
TelmoSantos	TelmoSantos	25/09/2016
Reference	K2TA.0357	
Scale	units in mm	general tolerance
1:7	DO NOT SCALE	0.8mm
RACK 19" 2U, 3U 570		
SYSTÈME DE COUPLAGE - C1		

