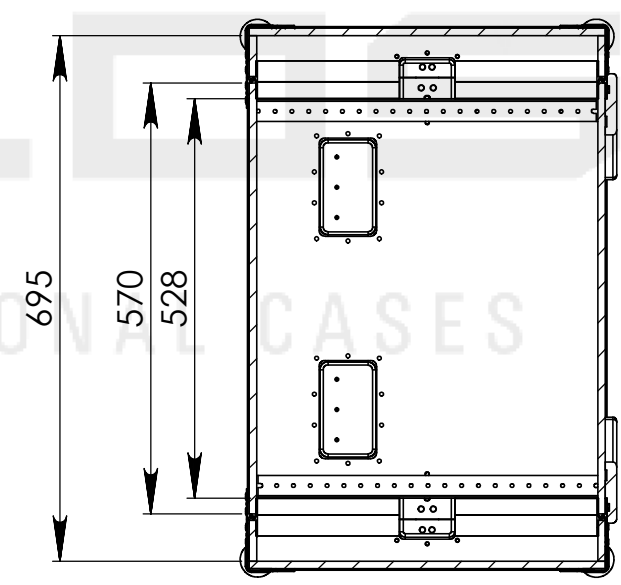
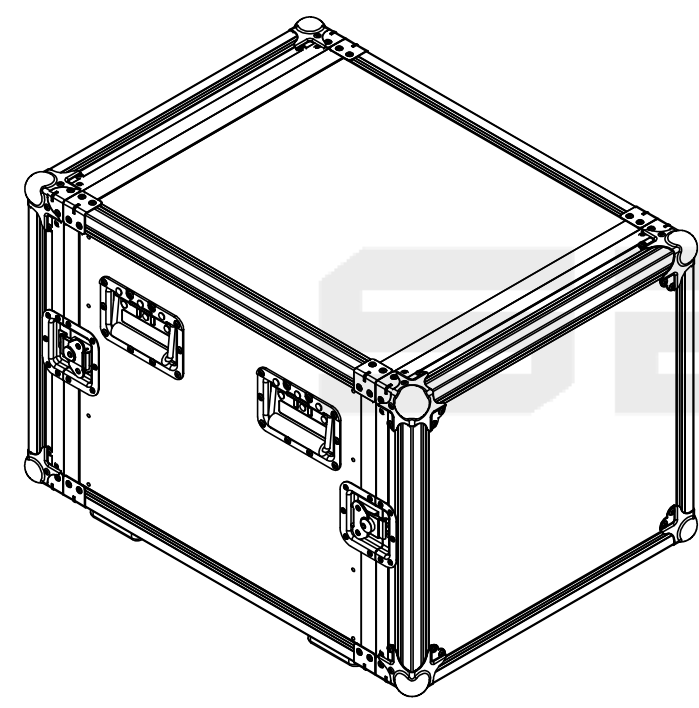
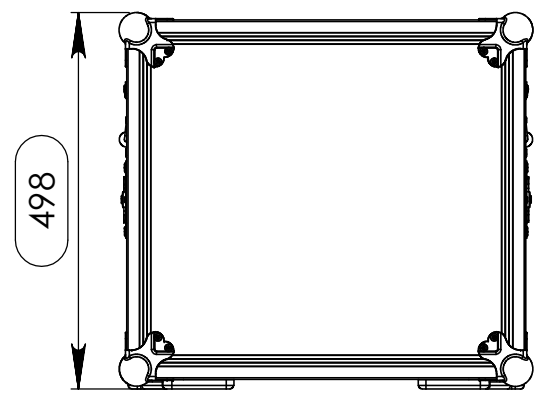
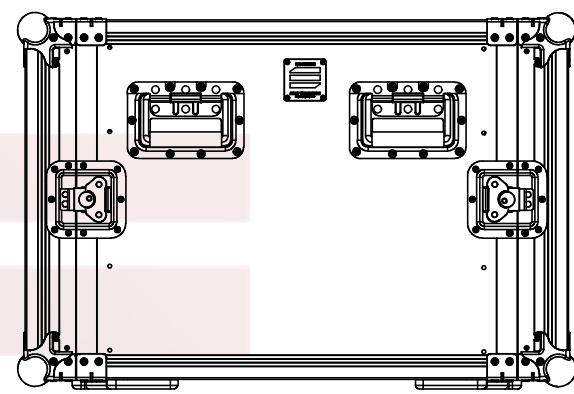
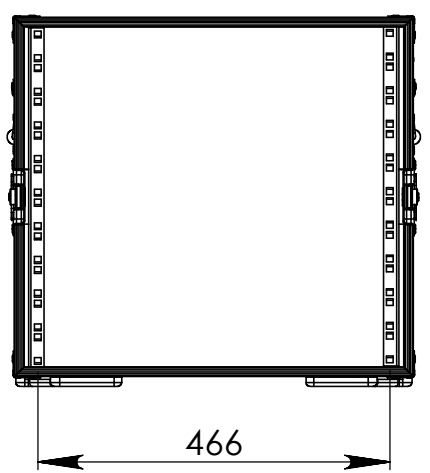
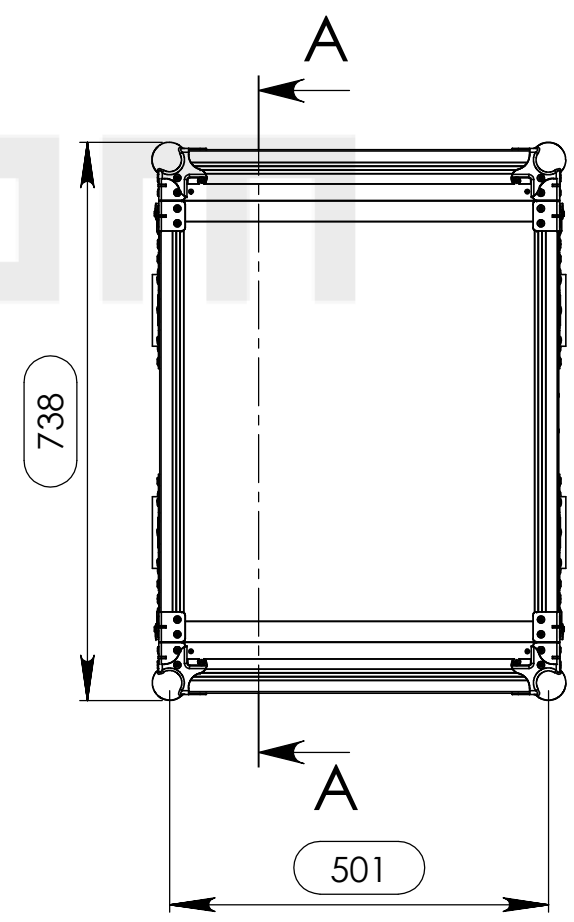


Interior dimensions		
Width	Depth	Height
19"	570	10Un
Weight	Approx. 21 Kg	
Wall Thickness		10mm

REVISIONS				
ZONE	REV.	DESCRIPTION	DATE	APPROVED



SECTION A-A



Hardware		
Qty	Ref.	Description
16	40403	Large corner bracket f. 35mm case angle
8	410429	Heavy Duty Ball Corner
1	CHAPA.1000	Identification Plate
4	17290S	Key lockable medium Butterfly special
4	34082	Recessed sprung handle medium model

This drawing must not be copied or disclosed without consent of the owner

Drawn by	DanielLopes	Date	06-10-2014
Reference	K2T.1057		
Scale	1:10	units in mm	general tolerance 0.5mm
1st Angle projection	RACK 19" 2 TAMPAS 10U 570 PROF.		

