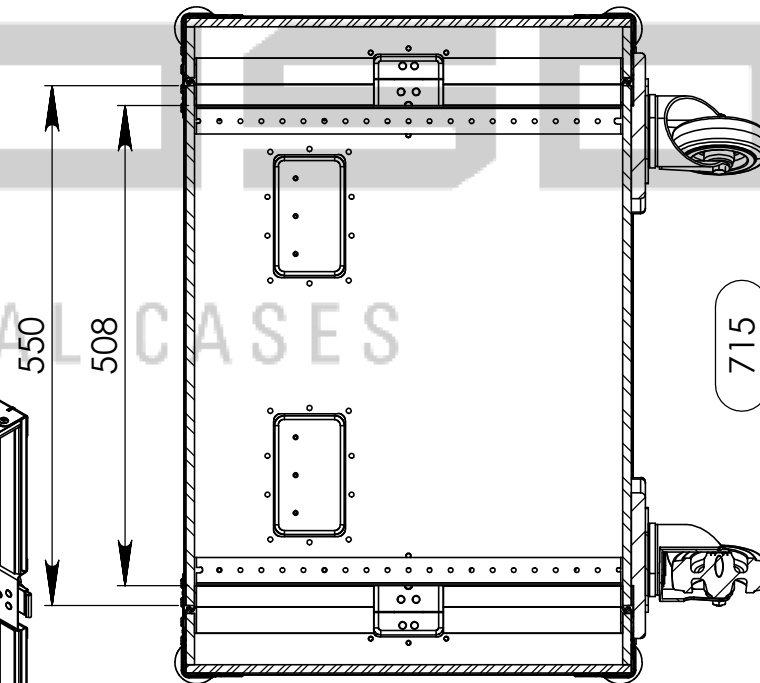
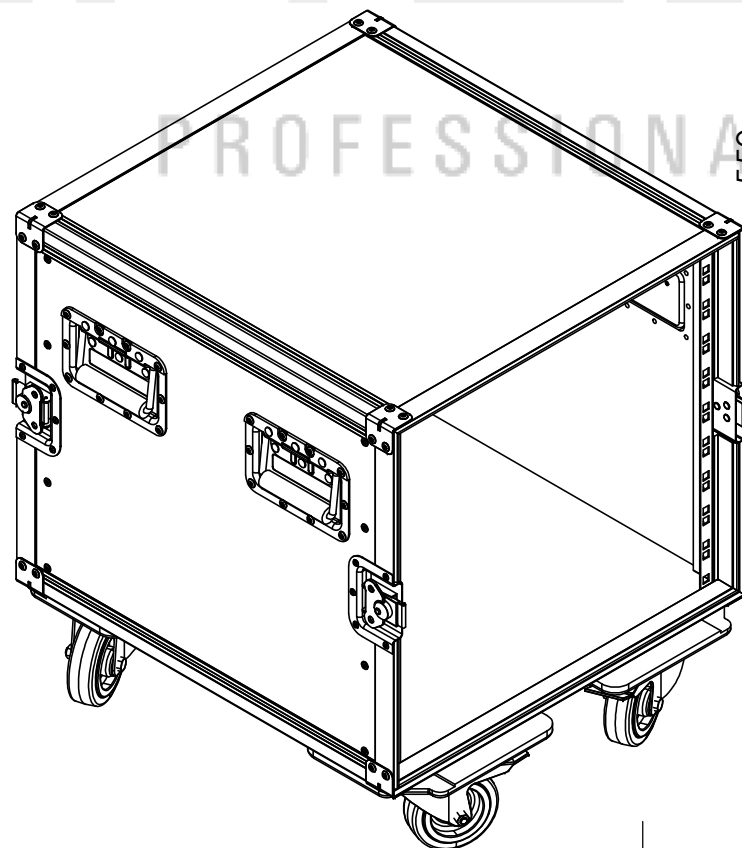
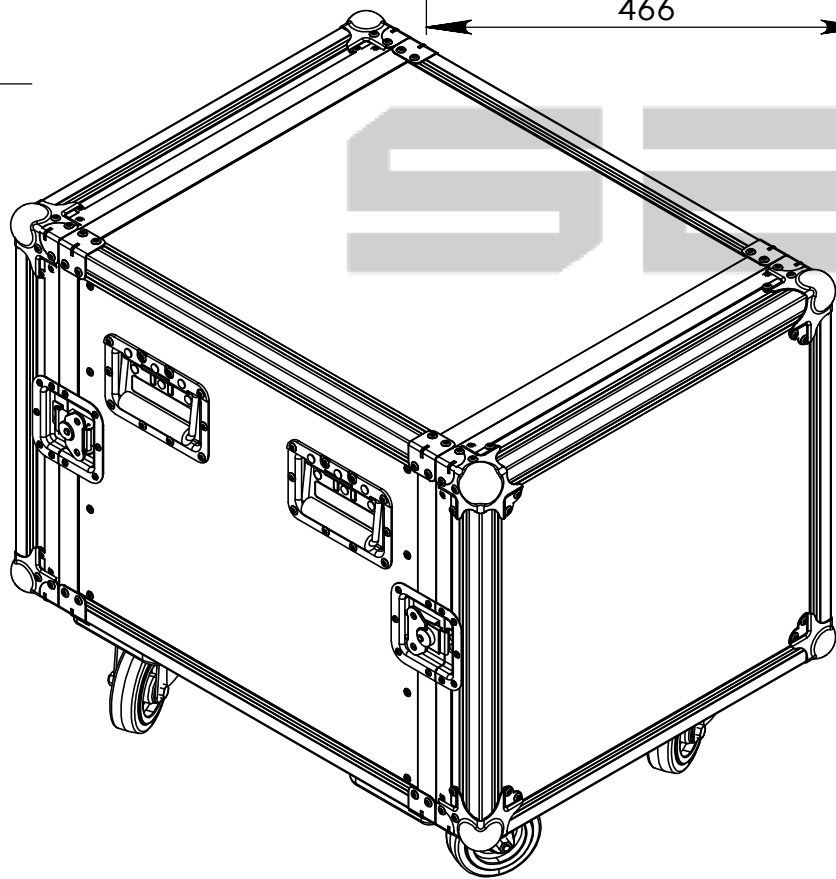
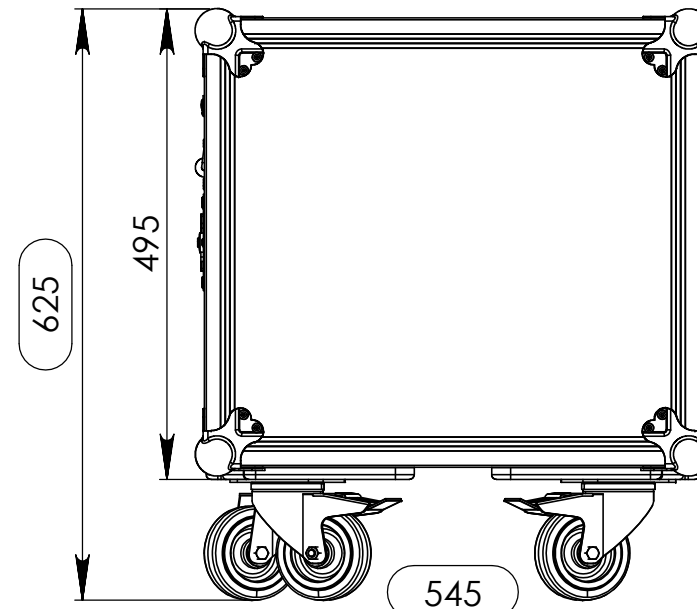
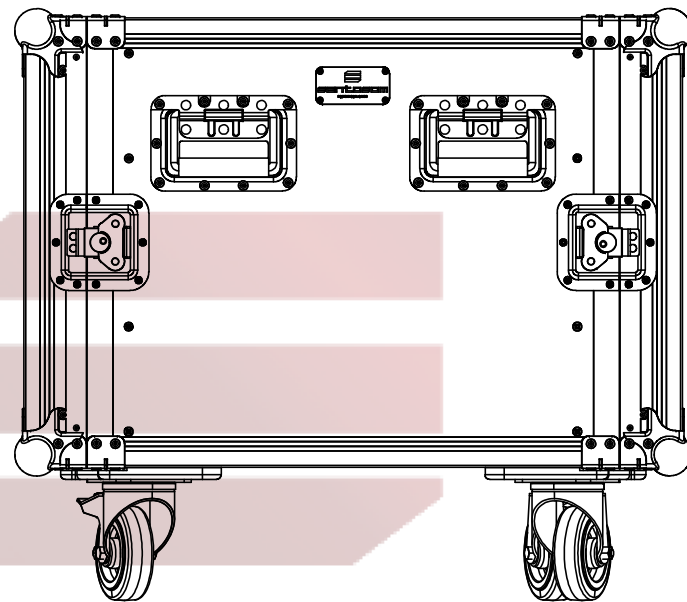
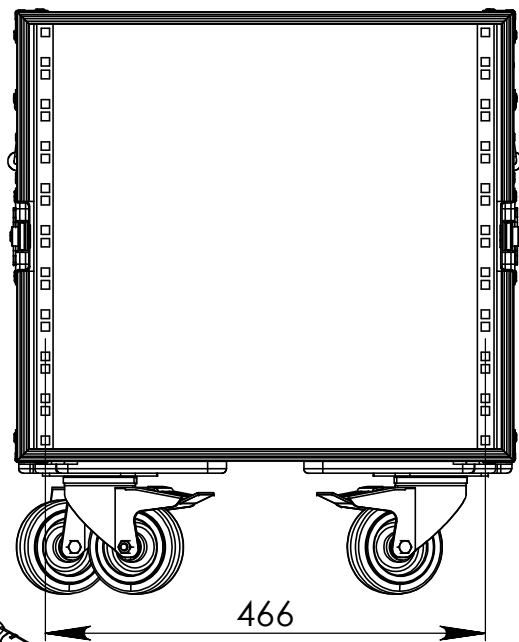
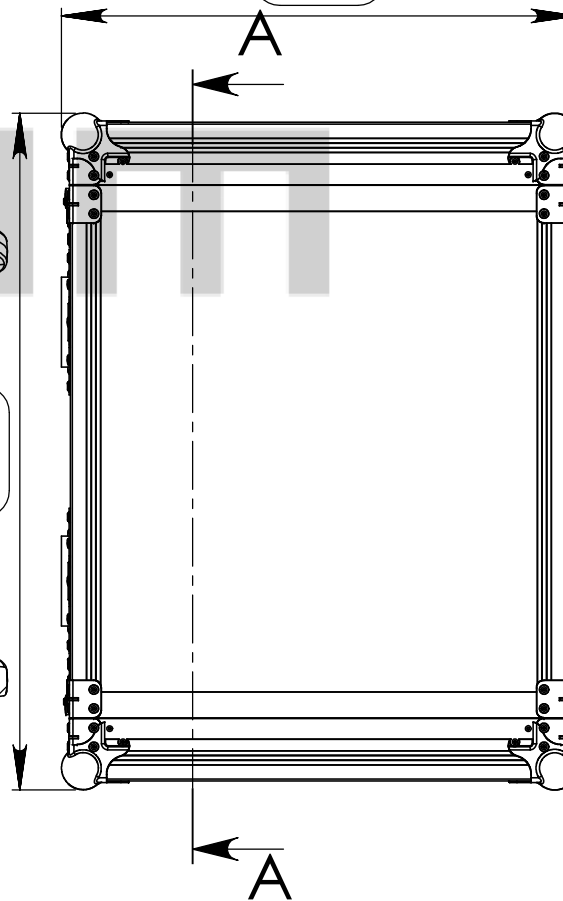


Interior dimensions		
Width	Depth	Height
19"	550	10 uni
Weight	Approx. 25 Kg	
Wall Thickness	9mm	



SECTION A-A



Drawn by	Name	Date
DanielLopes	DanielLopes	16-02-2012
Reference	K2T.1055R1	
Scale	units in mm	general tolerance
1:8	DO NOT SCALE	0.8mm
1st Angle projection	Rack 19" 2 Tampus 10U 550 prof	

This drawing must not be copied or disclosed without consent of the owner

