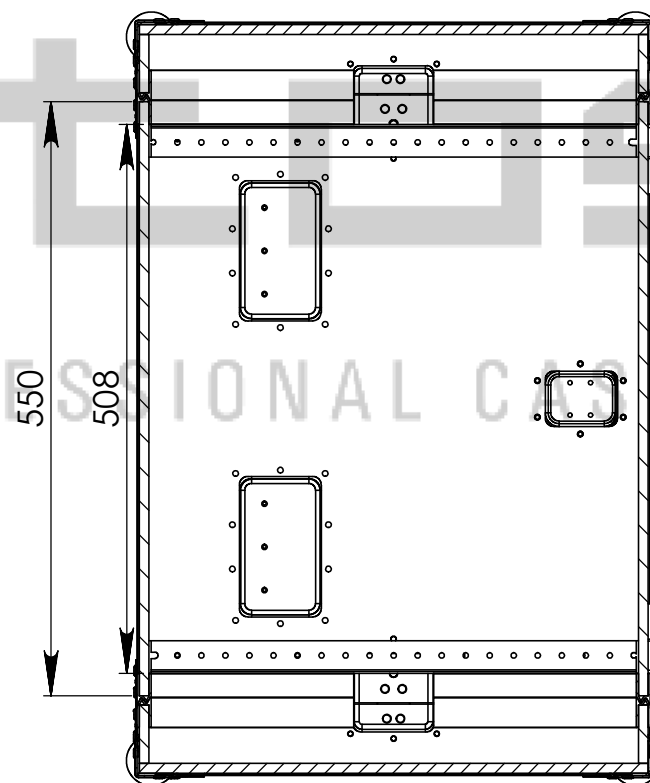
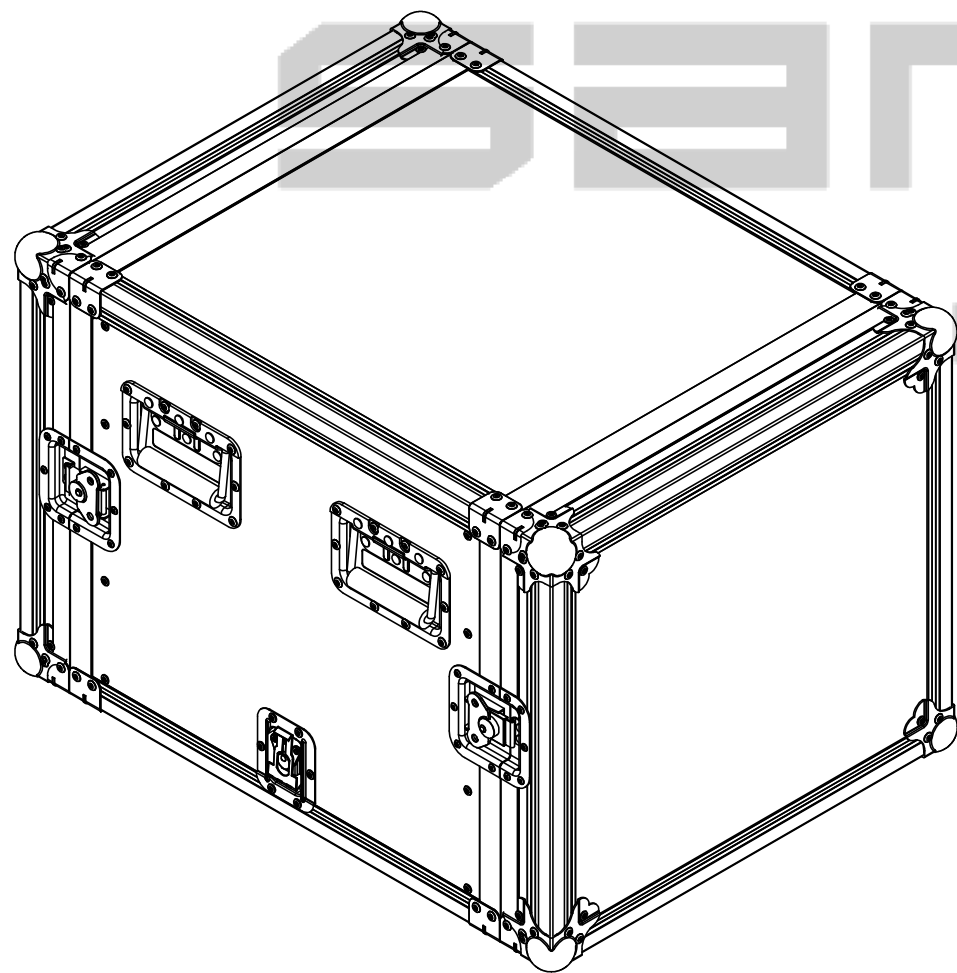
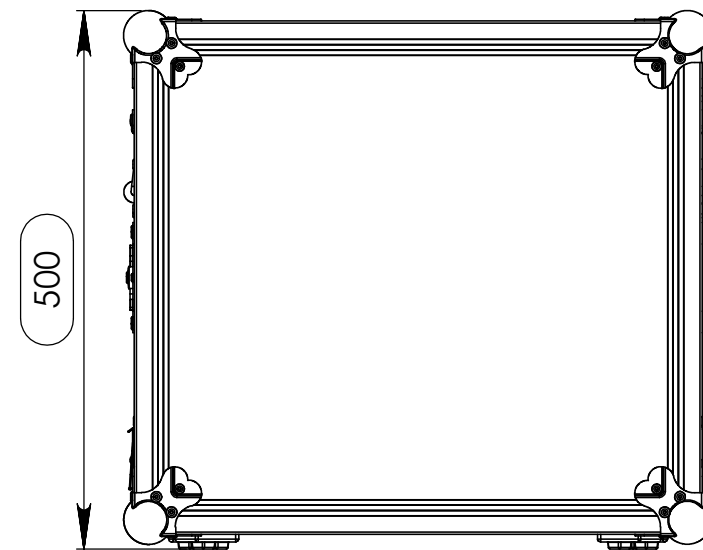
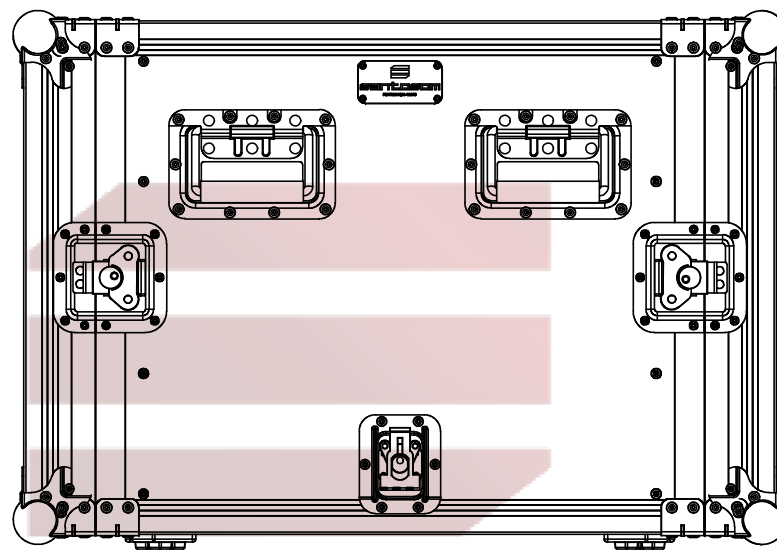
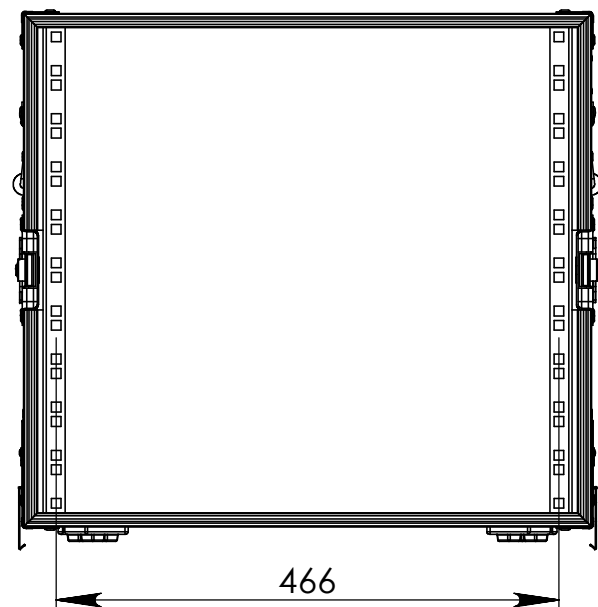
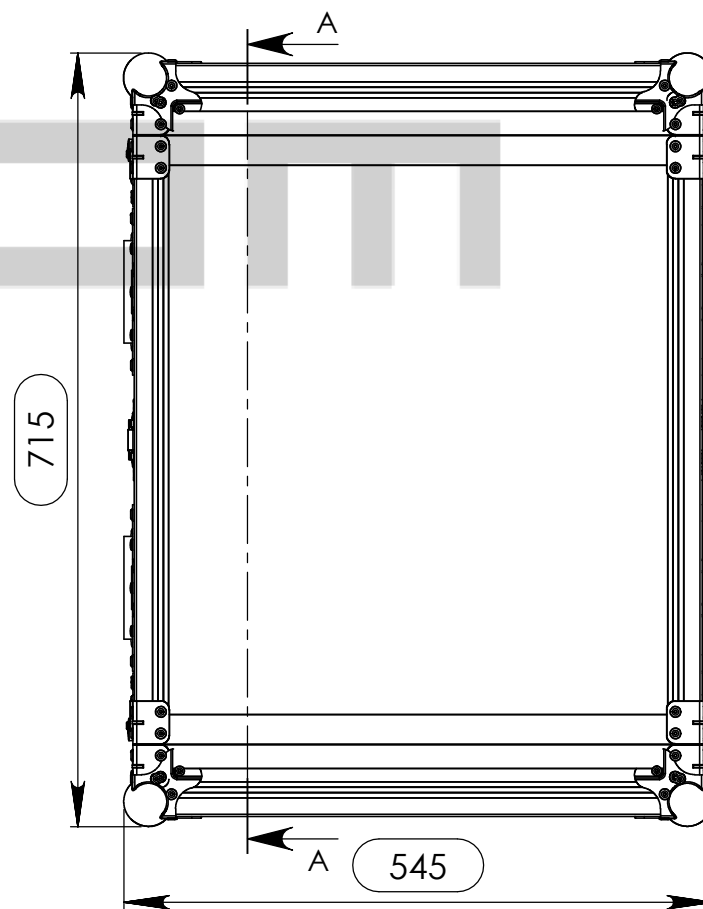


Interior dimensions		
Width	Depth	Height
19"	550	10Un
Weight	Approx. 19 Kg	
Wall Thickness	9mm	



SECTION A-A



715

545

Drawn by	Name	Date
DanielLopes	DanielLopes	20-03-2012
Reference	K2T.1055A	

This drawing must not be copied or disclosed without consent of the owner



Scale	units in mm	general tolerance
1:7	DO NOT SCALE	0.8mm
1st angle projection		



2 Tampus 10U 550 prof., + sistem sup. skate