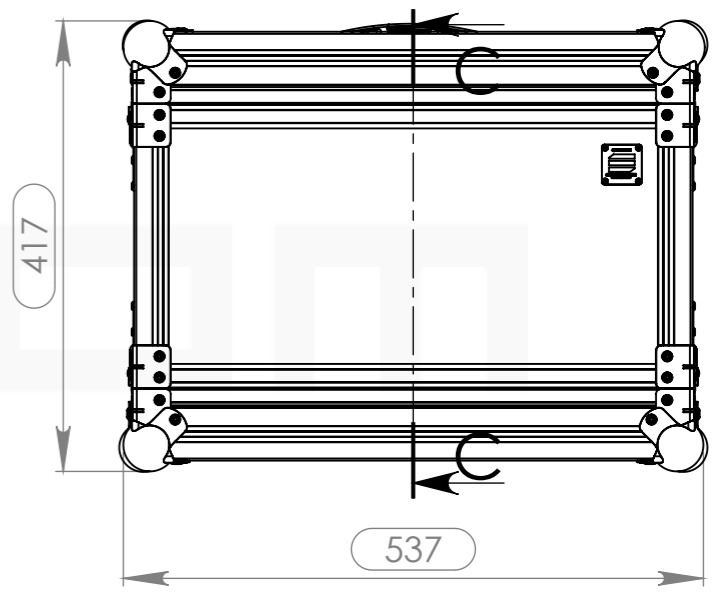
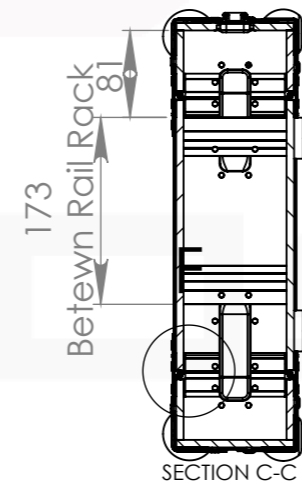
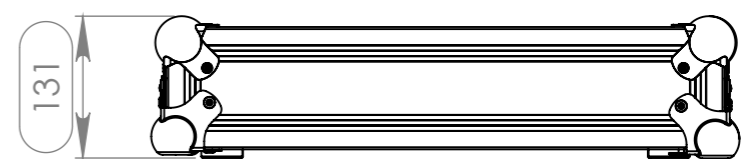
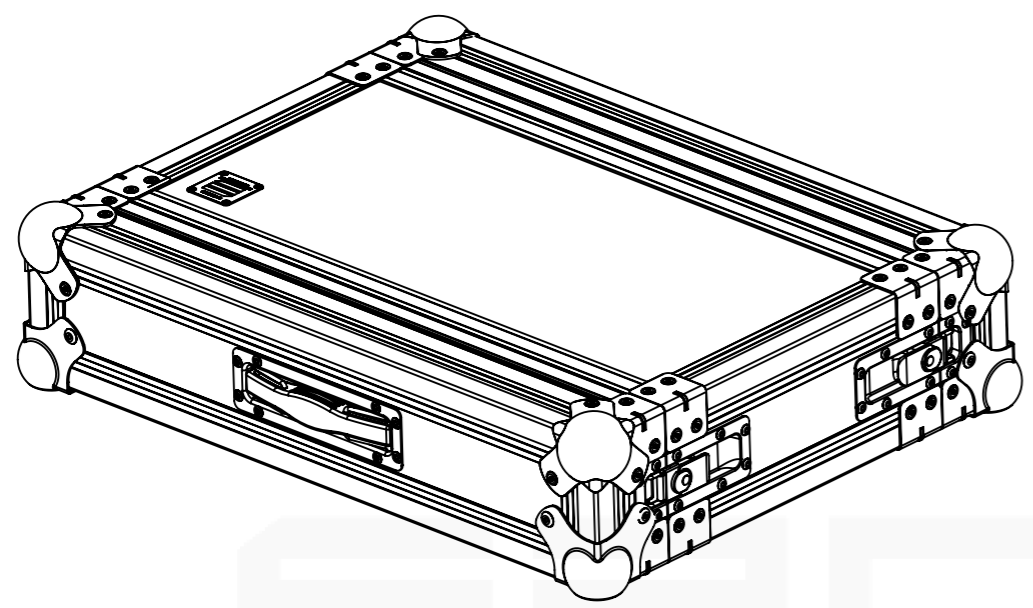
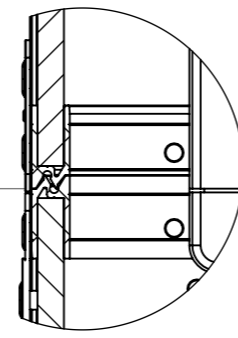


Internal Dimensions		
Width	Depth	Height
19"	250	2U
Weight	Approx. 3 Kg	
Wall Thickness		7mm



67,25
Betwewn Aluminium Rail Rack and



DETAIL F
SCALE 1 : 2

Hardware		
Qty	Ref.	Description
16	40403	Large corner bracket f. 35mm case angle
4	4120	Heavy duty ball corner, zinc plated
4	4122	Medium ball corner zinc plated with stacking dimple
4	17202	2U Butterfly Latch
1	3420	Recessed plastic handle in a zinc plated dish
1	CHAPA.1001	Identification Plate
4	4906	38 mm rubber foot black H:10 mm.

A3 This drawing must not be copied or disclosed without consent of the owner

Drawn by	Name	Date
carlasilva	carlasilva	10/10/2017
Reference	K2T.0225B	
Scale	units in mm	general tolerance
1:8	DO NOT SCALE	0.8mm
1st Angle projection	19" RACK DD, 2U 250 LID HANDLE 4 PRUMOS Aluminio	

