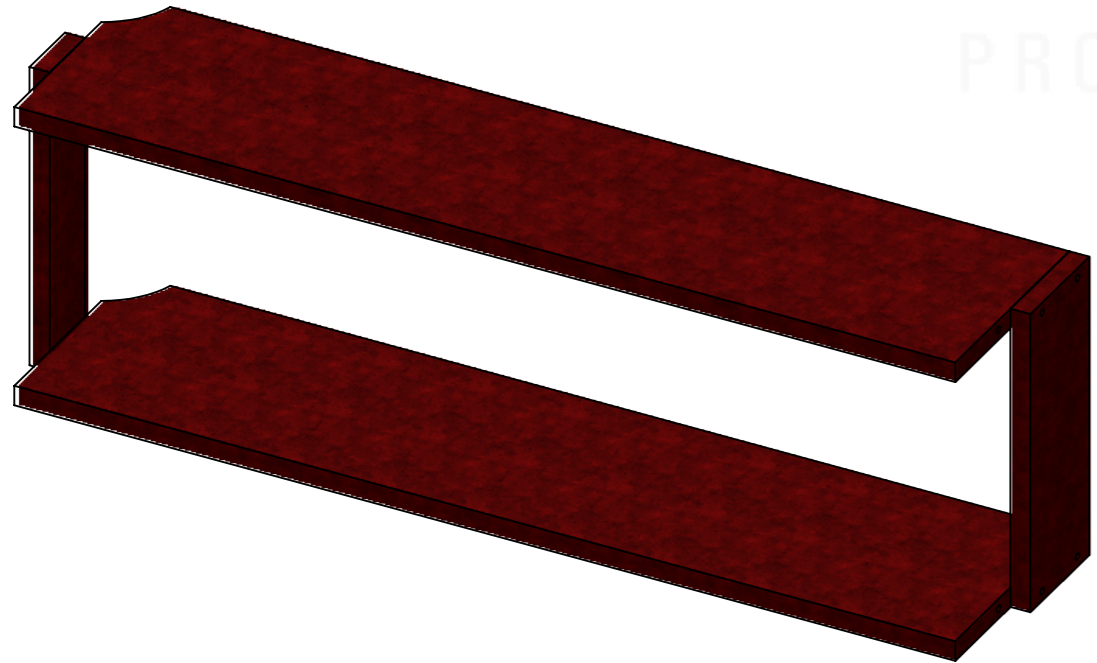
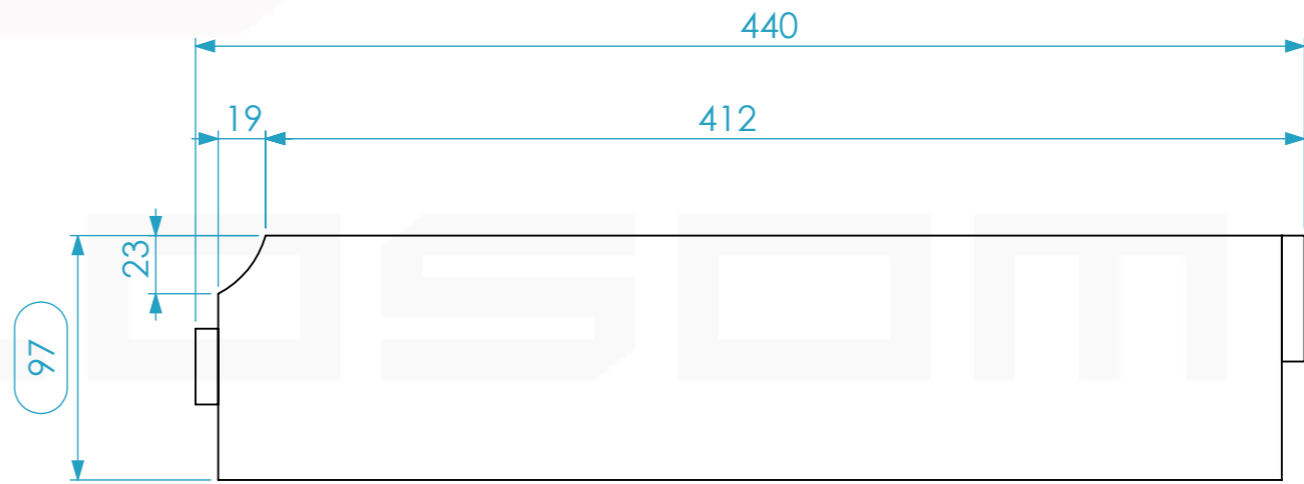
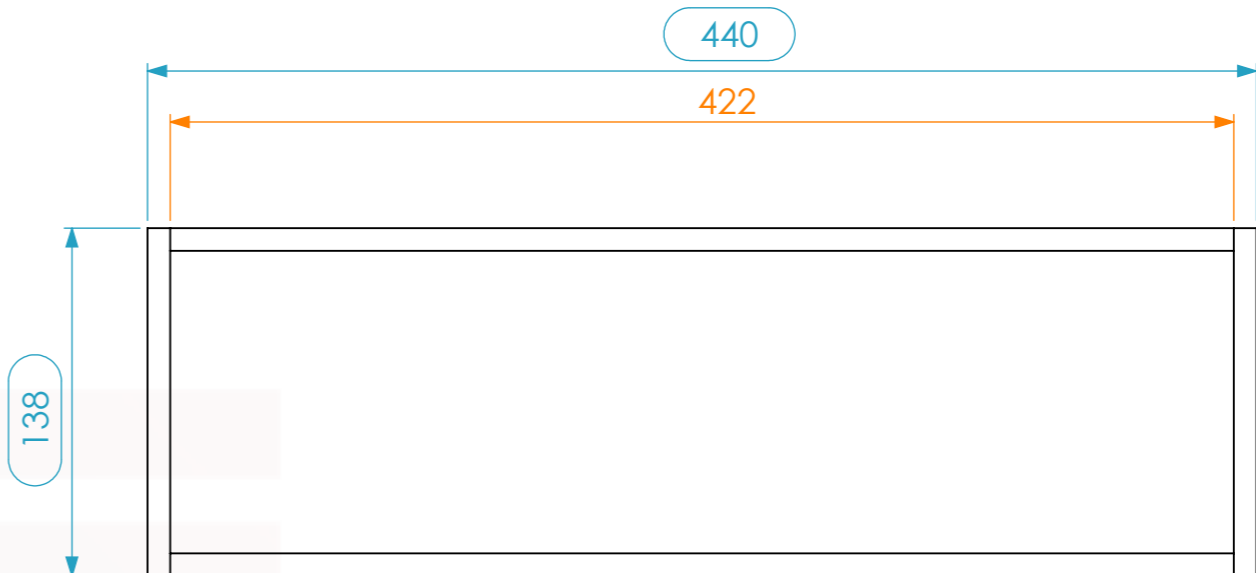
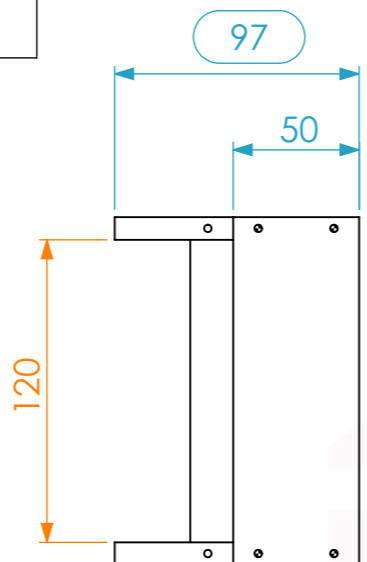


Medidas Uteis		
Largura	Profundidade	Altura
440	120	97



santosom
PROFESSIONAL CASES

Drawn by	Name	Date
CarlaSilva	CarlaSilva	19/06/2023
Reference	INT3.0441410A	
Scale	units in mm	general tolerance
1:3	DO NOT SCALE	0.8mm
INTERIOR TAMPA, 440x140x100 p/acess		



This drawing must not be copied or disclosed without consent of the owner



A3