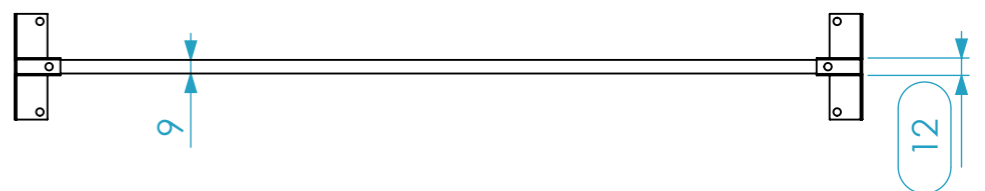
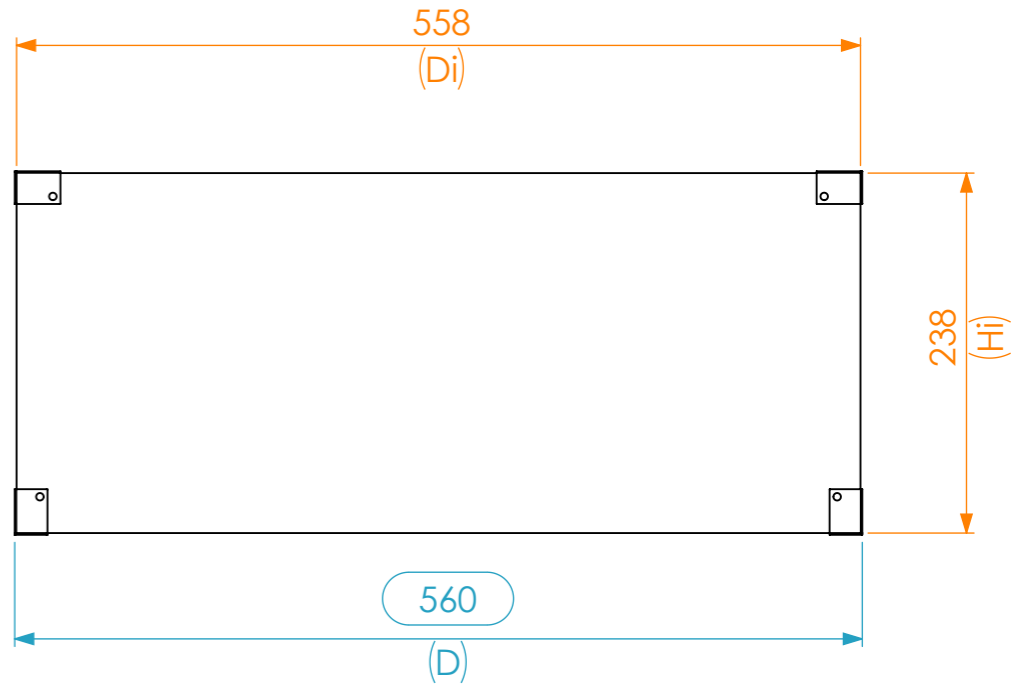
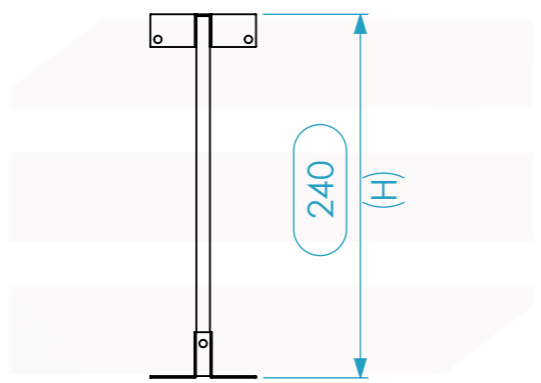
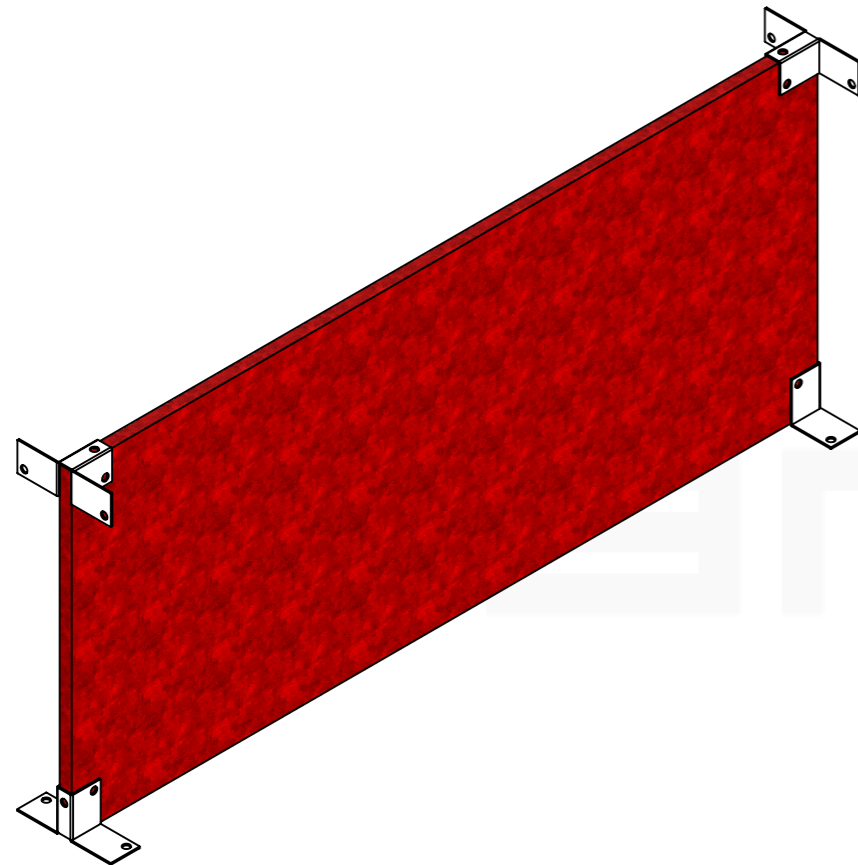


Internal Dimensions		
Width	Depth	Height
-	560	238
Weight	Approx. 0.94 Kg	
Wall Thickness		10mm



General External Dimensions		Usable Inner Dimensions (UID)	
W	Width	Wi	Inside Width
D	Depth	Di	Inside Depth
H	Height	Hi	Inside Height

A3 This drawing must not be copied or disclosed without consent of the owner

Drawn by	ricardocosta	Date	01/08/2019
Reference	INT1.05624		
Scale	1:5	units in mm	general tolerance 0.8mm
1st Angle projection		DO NOT SCALE	
DIVISÓRIA FIXA, 558X238			

