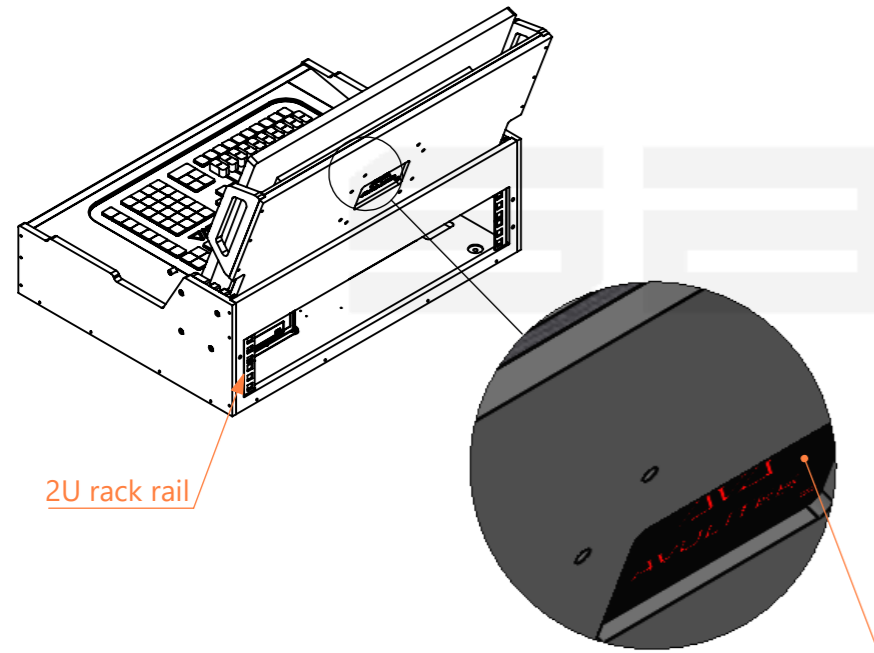
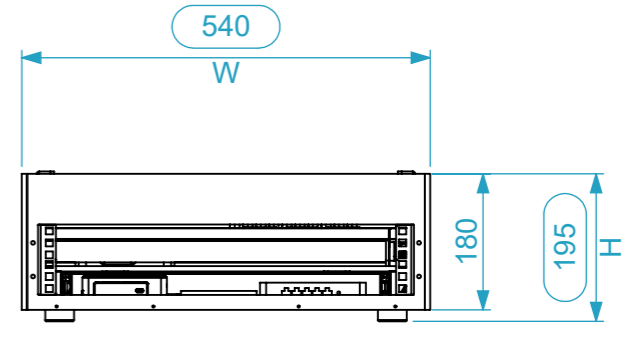
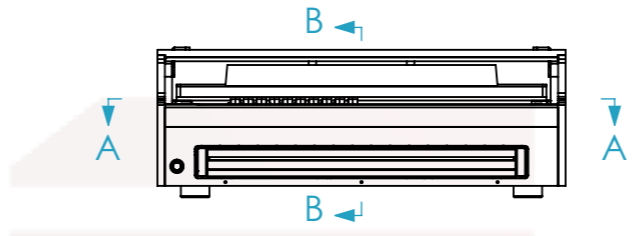
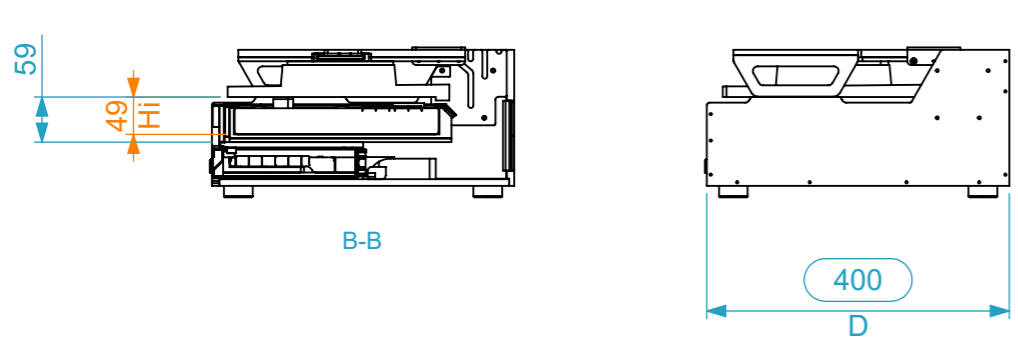
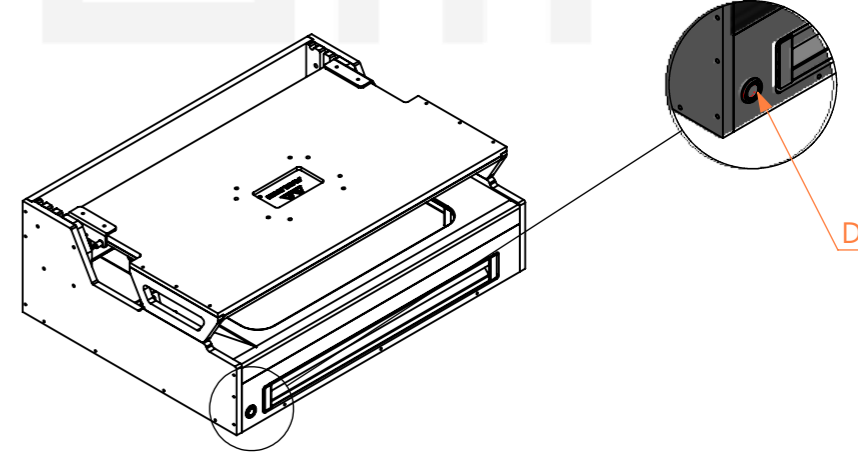
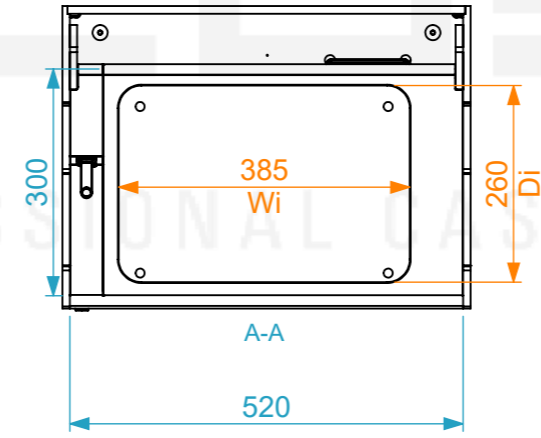
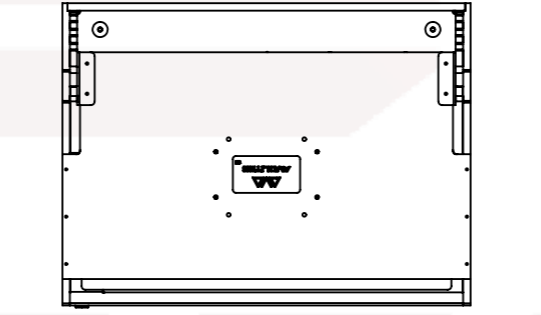


Equipment		
Avolites T3		
Width	Depth	Height
402	270	55
Weight	Approx. 3 Kg	
Internal Dimensions		
Width	Depth	Height
520	300	49
Weight	Approx. 14 Kg	
Wall Thickness	10mm	

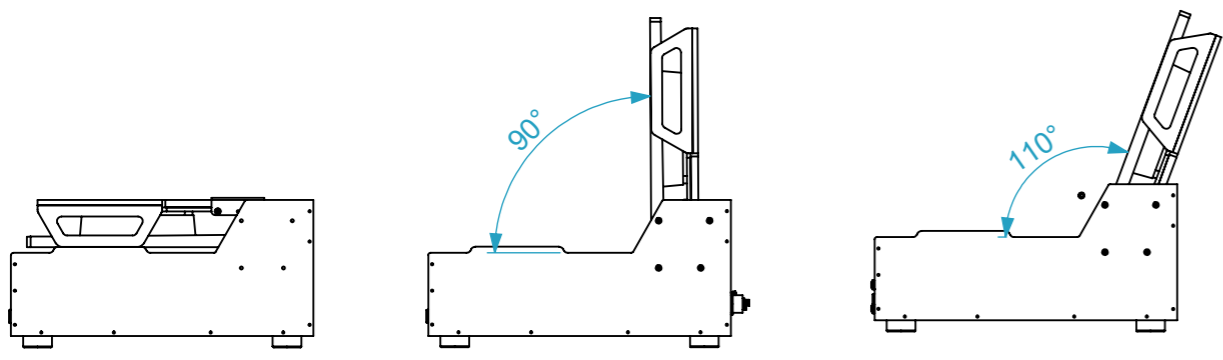


2U rack rail

Avolites Logo



Dimmer



CLOSED

OPEN

General External Dimensions		Usable Inner Dimensions	
W	Width	Wi	Inside Width
D	Depth	Di	Inside Depth
H	Height	Hi	Inside Height

Drawn by	Name	Date
paula.almeida		28/10/2025
Reference	IC6.AVOT3.02	
Scale	units in mm	general tolerance
1:10	DO NOT SCALE	0.8mm
1st Angle projection	Móvel IC6, Avolites T3 + 1 Monitor 22"	



This drawing must not be copied or disclosed without consent of the owner

A3