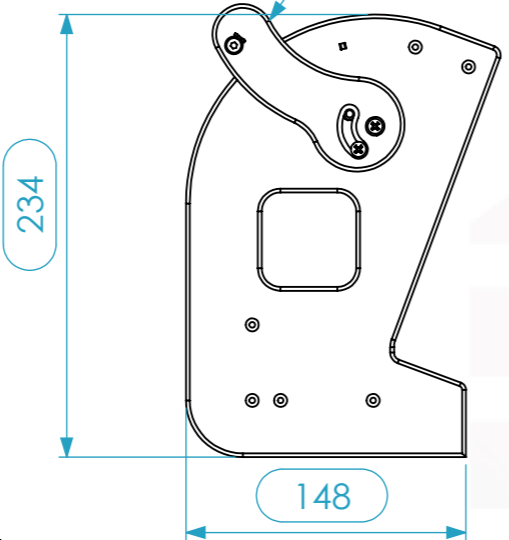


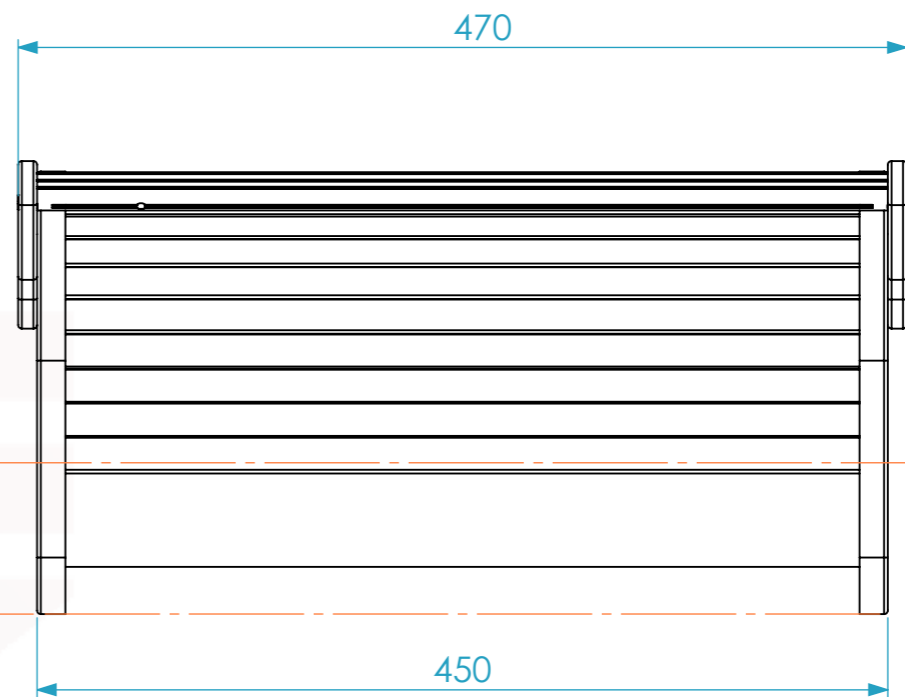
Dimensions

Width	Depth	Height
470	110	234
Weight	Approx. 2 Kg	
Wall Thickness		10mm

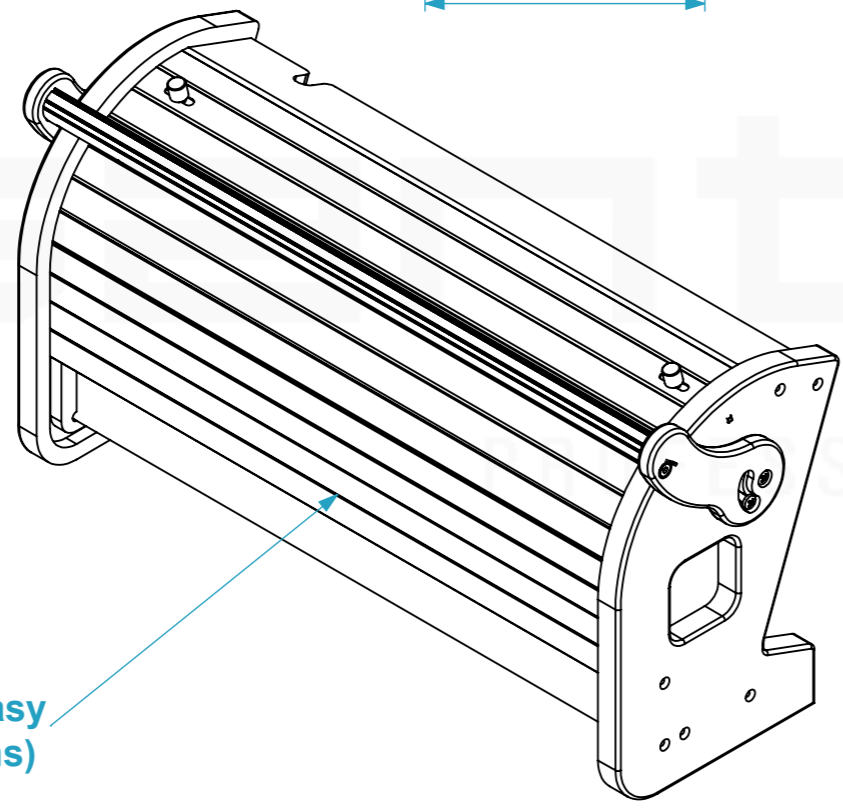
The Lighting bar rotates for storage in the flight case



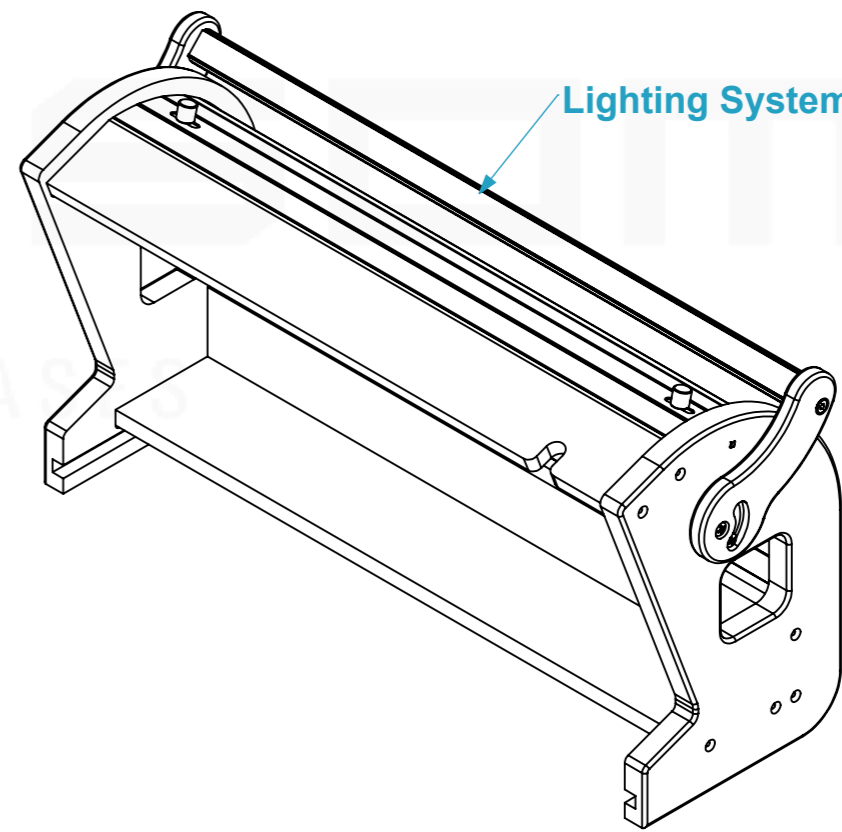
80
Altura da espuma da case



Roller Shutter (For easy access to connections)



Lighting System



Drawn by	Name	Date
jose.couto	jose.couto	20/03/2023
Reference	IC2.AHQ16	
Scale	units in mm	general tolerance
1:4	DO NOT SCALE	0.8mm
Estrutura Móvel A&H QUI6		



This drawing must not be copied or disclosed without consent of the owner



A3