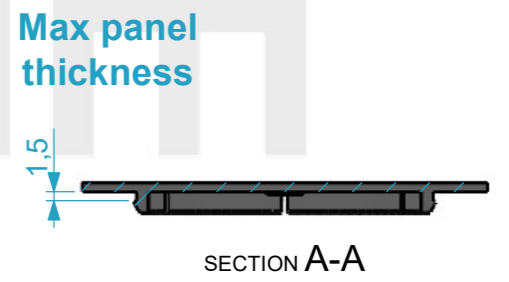
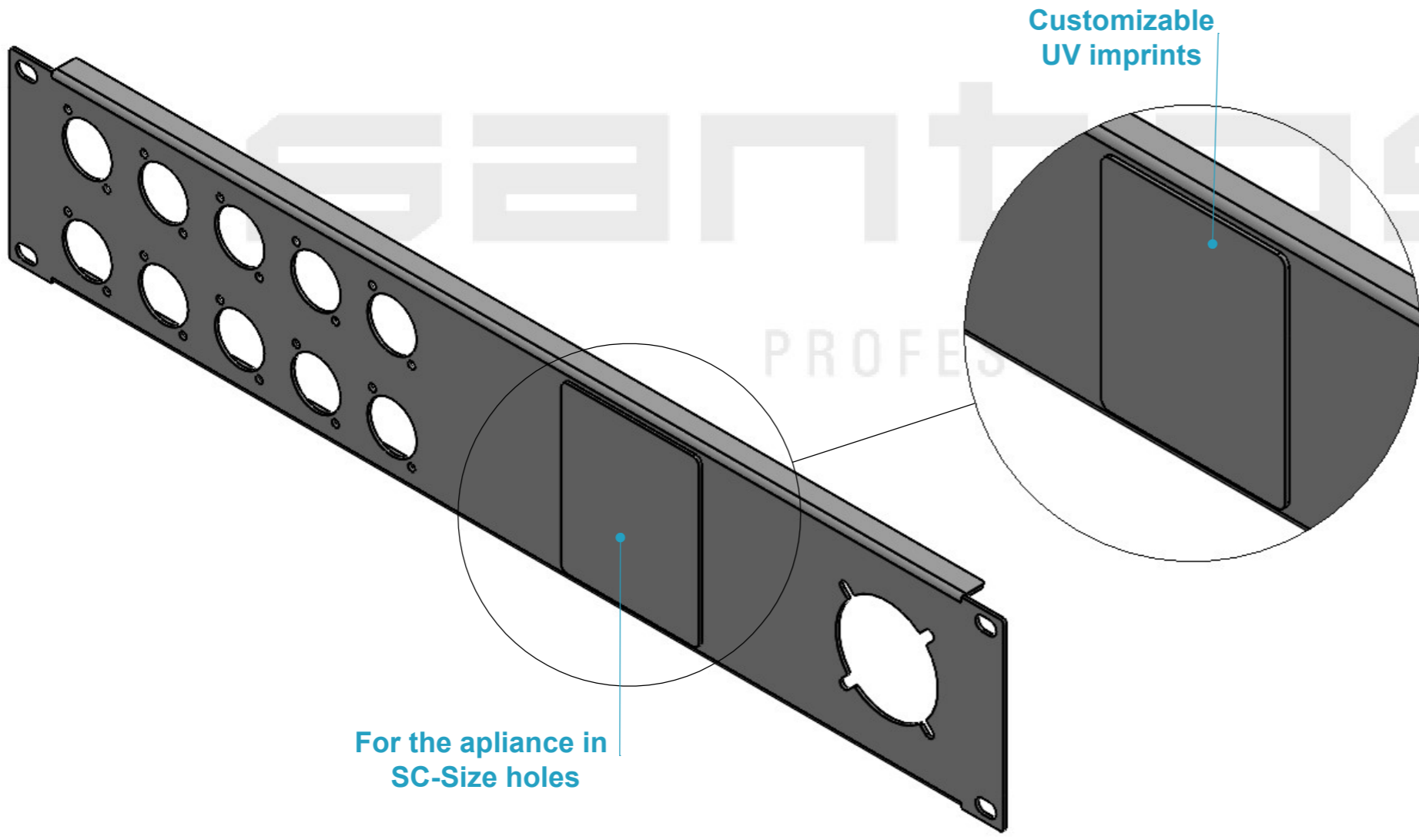
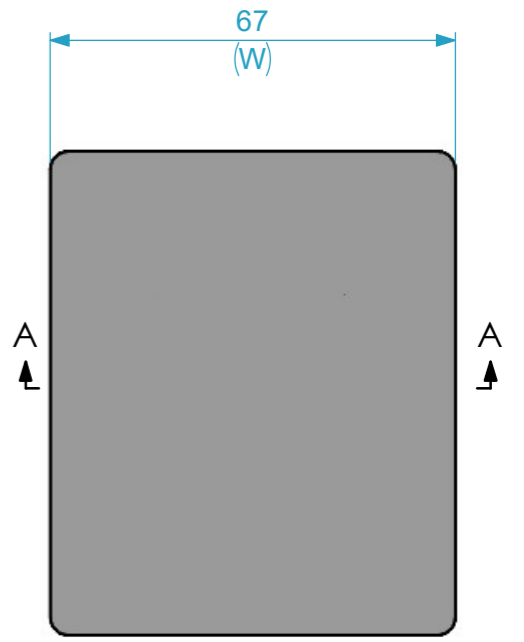
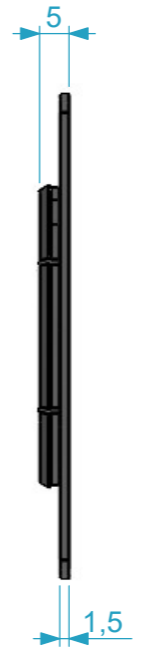
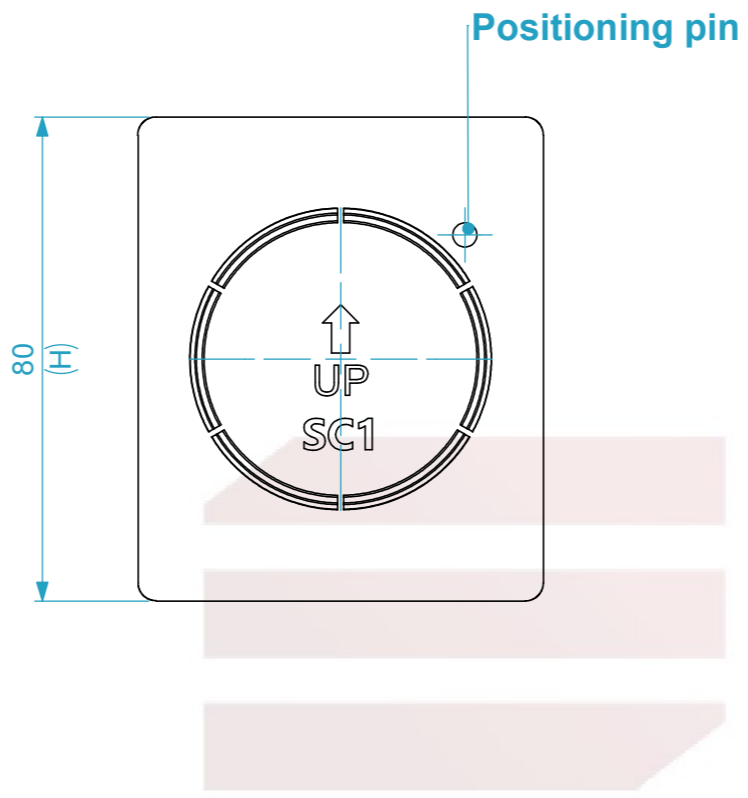


Dimensions		
Width	Depth	Height
67	80	5
Thickness		1.5mm



Drawn by	Name	Date
alvaro.santos	alvaro.santos	11/09/2025
Reference	HCAP.LB1	
Scale	units in mm	general tolerance
1:1.25	DO NOT SCALE	0.8mm
Tampa para furo LB, 1x LK32		



This drawing must not be copied or disclosed without consent of the owner



A3