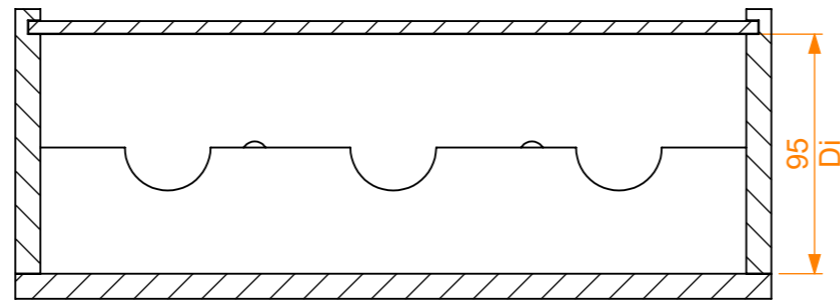
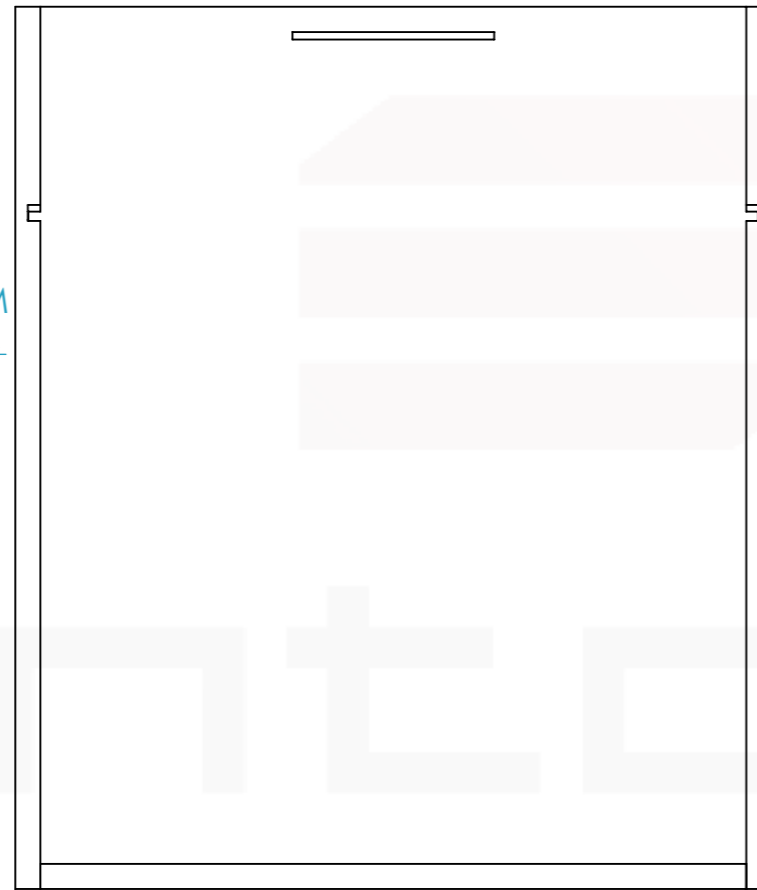
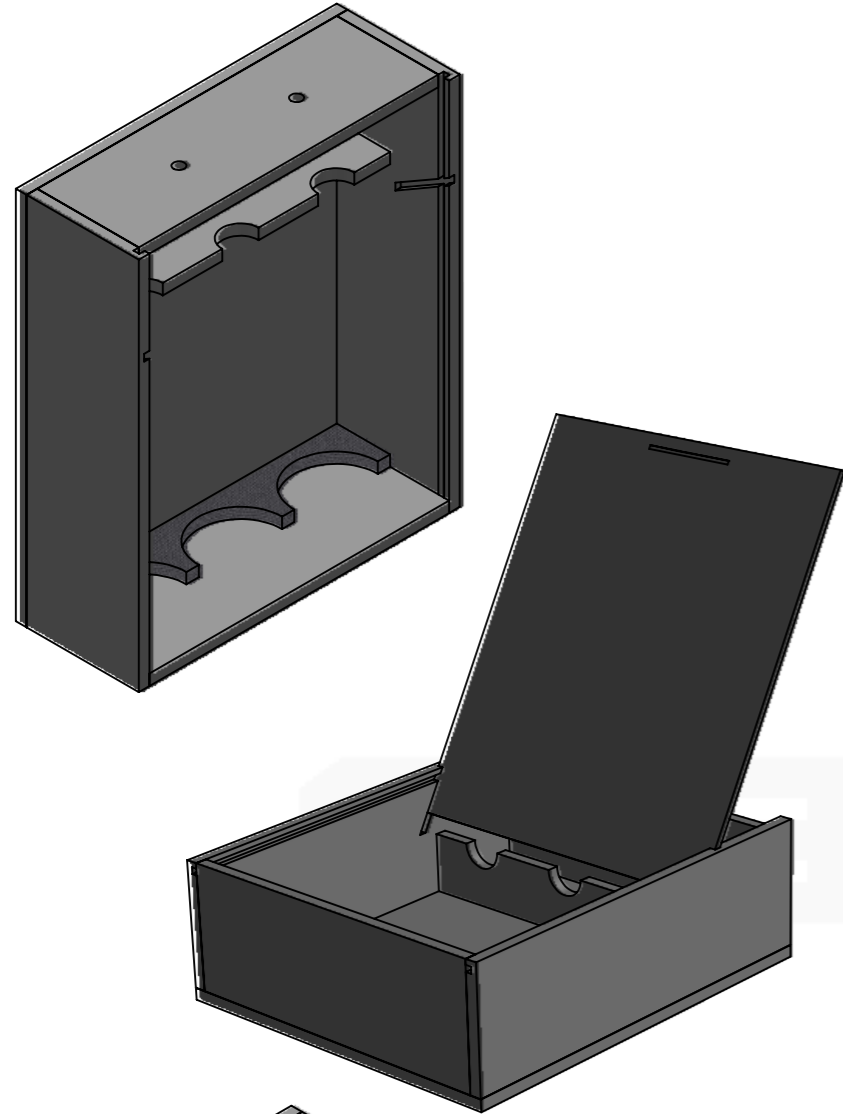


Internal Dimensions		
Width	Depth	Height
280	95	330
Weight	Approx. 2.51 Kg	
Wall Thickness		10mm

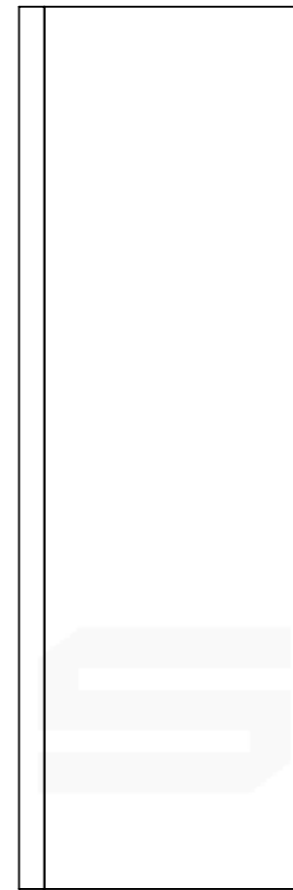


M-M

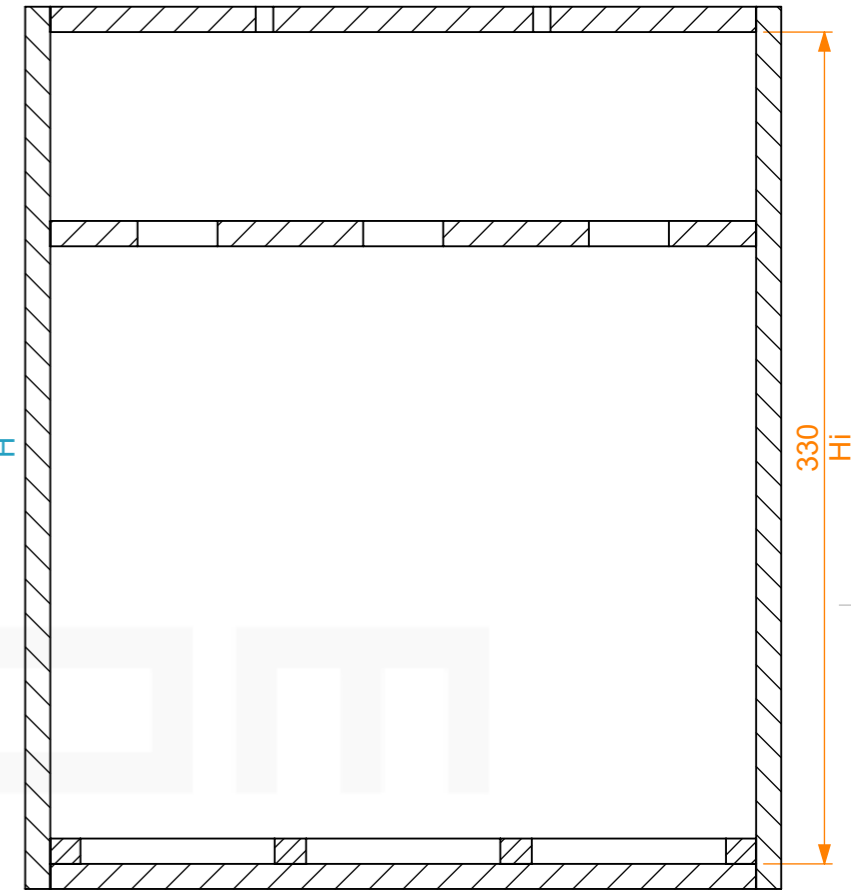


300
W

350
H



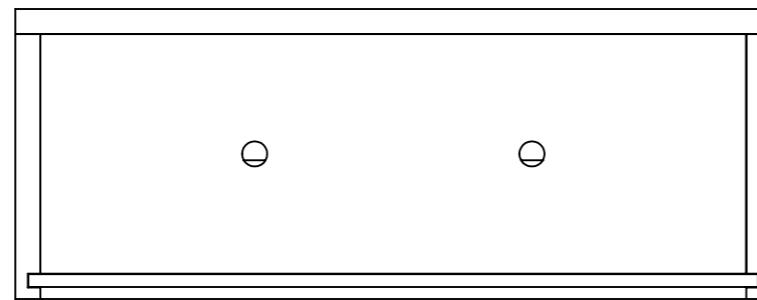
115
D



L-L

280
Wi

330
Hi



General External Dimensions	
W	Width
D	Depth
H	Height
Usable Inner Dimensions	
Wi	Inside Width
Di	Inside Depth
Hi	Inside Height

	Name	Date
Drawn by	projects	23/04/2021
Reference	GBB3A	
Scale	units in mm	general tolerance
1:3	DO NOT SCALE	0.8mm
1st Angle projection		
Bottle of sparkling wine Ø95 H330mm		



This drawing must not be copied or disclosed without consent of the owner

A3