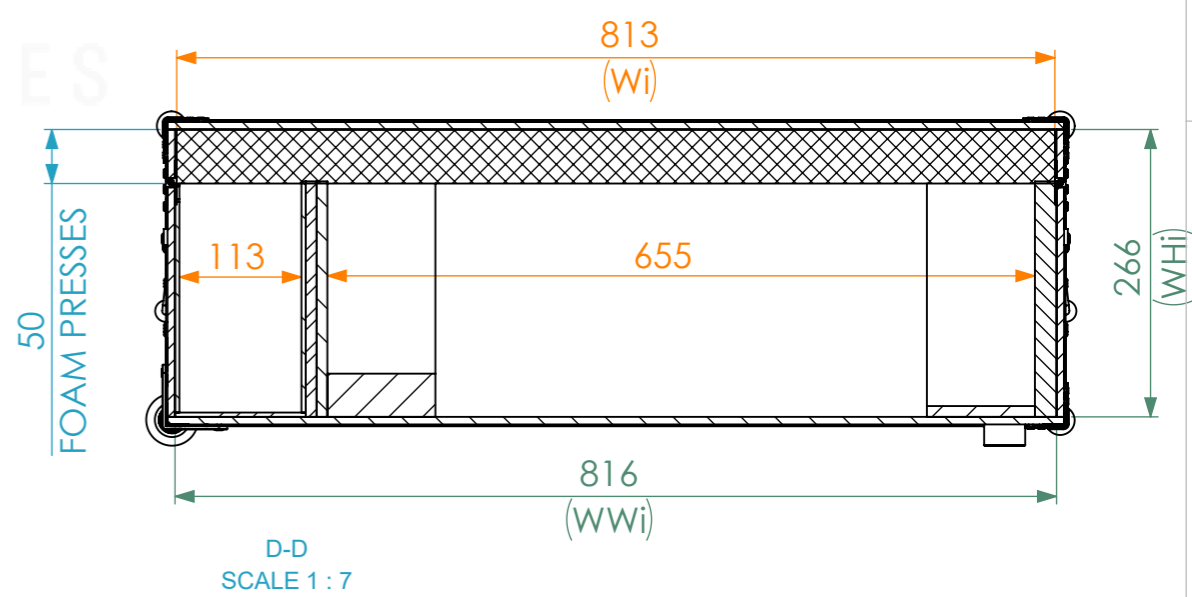
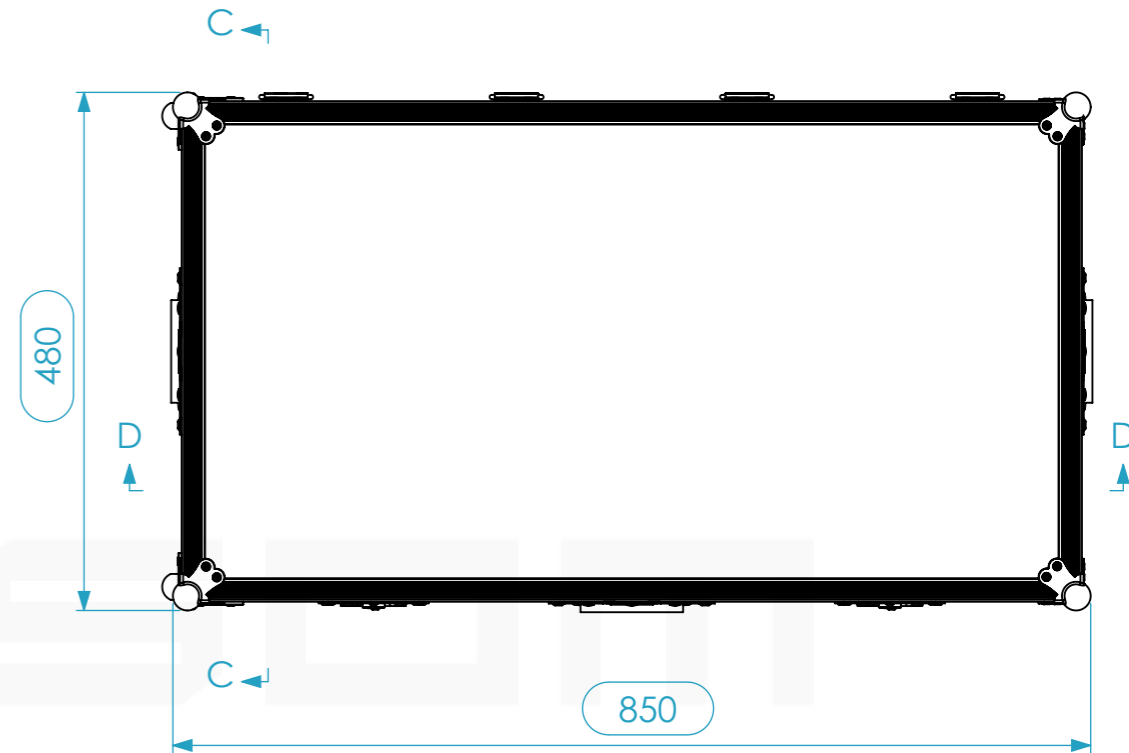
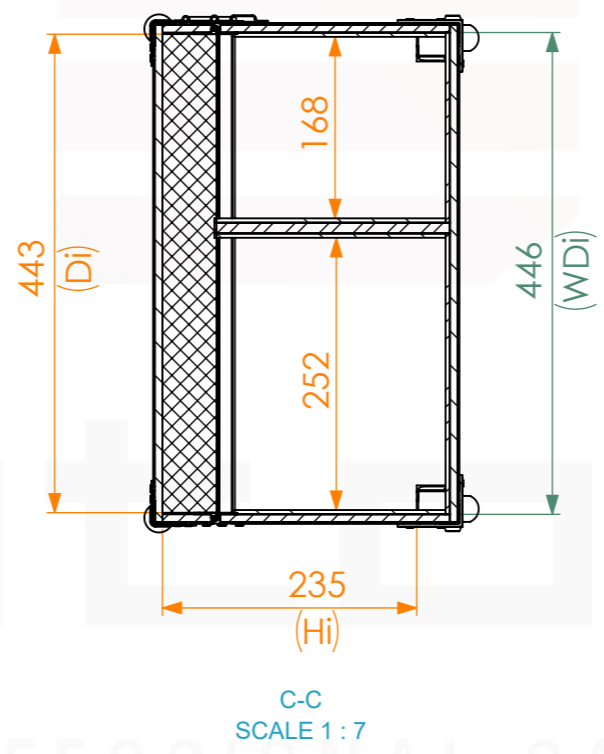
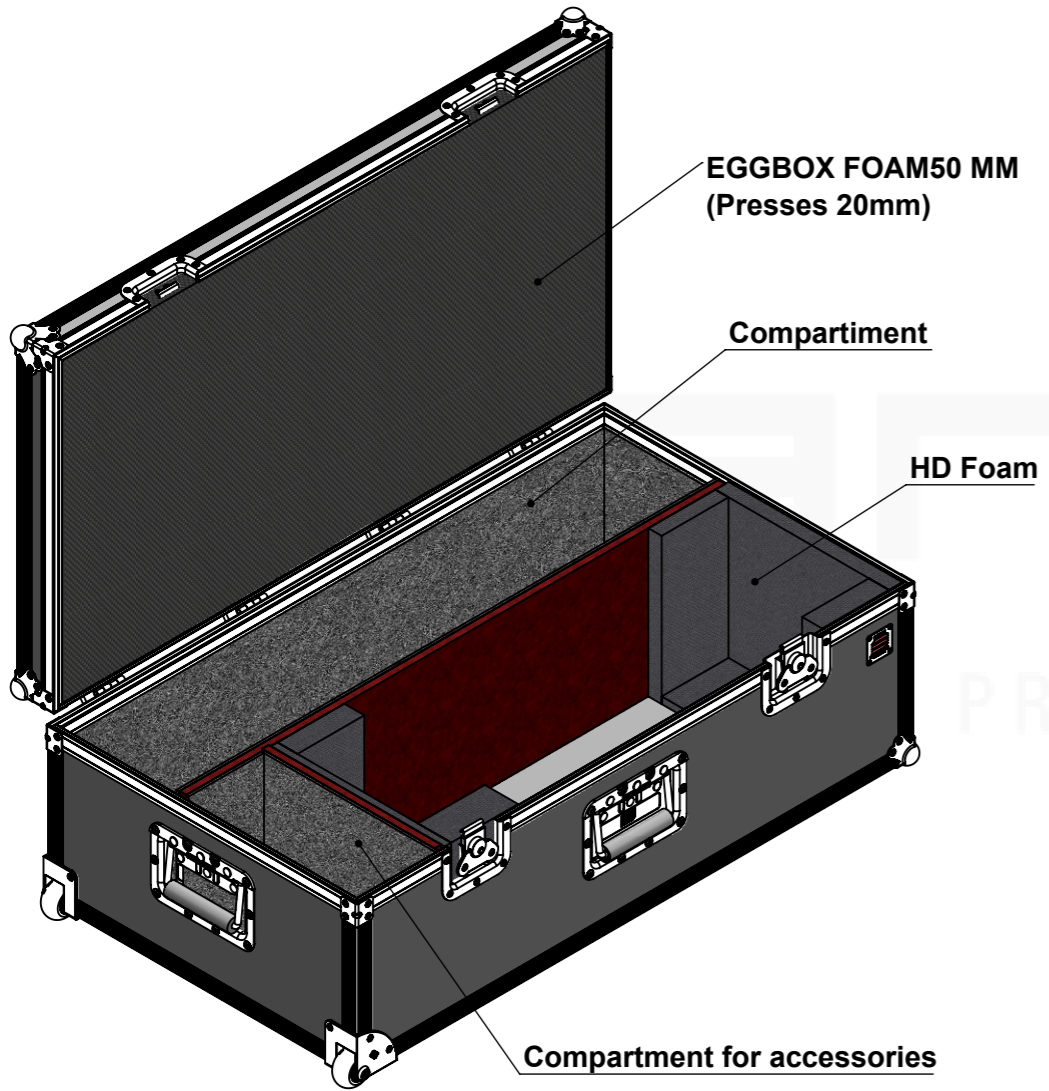
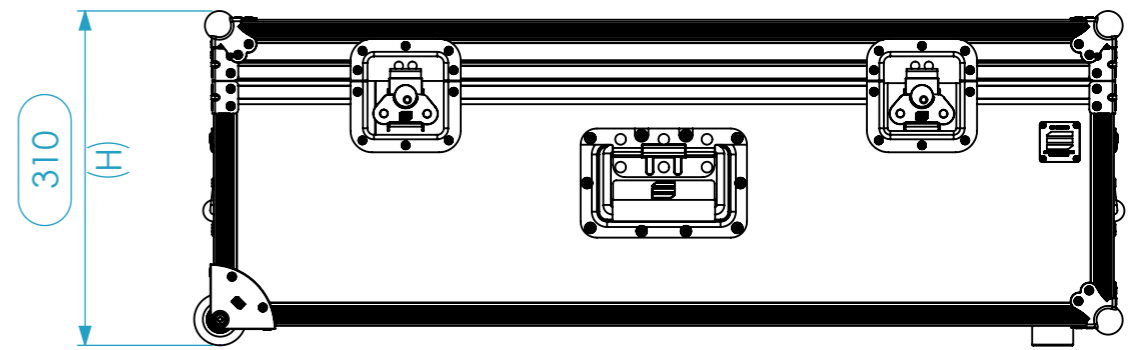
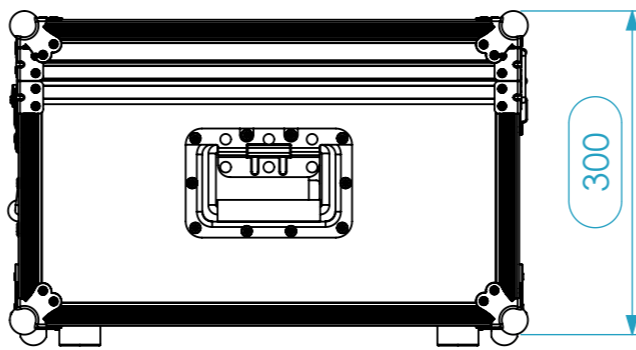


Internal Dimensions		
Width	Depth	Height
816	446	266
Weight	Approx. 13.71 Kg	
Wall Thickness	7mm	



General External Dimensions		Usable Inner Dimensions (UID)		Wood Inner Dimensions (WID)	
W	Width	Wi	Inside Width	WWi	Wood Inside Width
D	Depth	Di	Inside Depth	WDi	Wood Inside Depth
H	Height	Hi	Inside Height	WHi	Wood Inside Height

Drawn by: ricardocosta Date: 31/05/2019
 Reference: Fspot.121
 Scale: 1:8 units in mm general tolerance: 0.8mm
 F.C., FollowSpot OMARTE LED + Tripé

This drawing must not be copied or disclosed without consent of the owner.

santosom
 PROFESSIONAL CASES