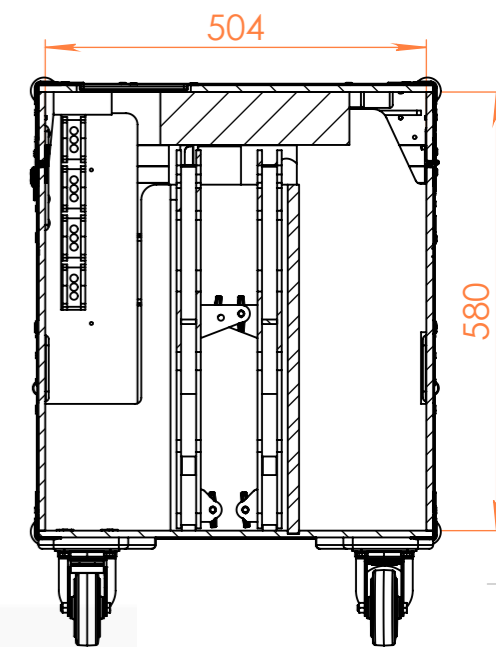
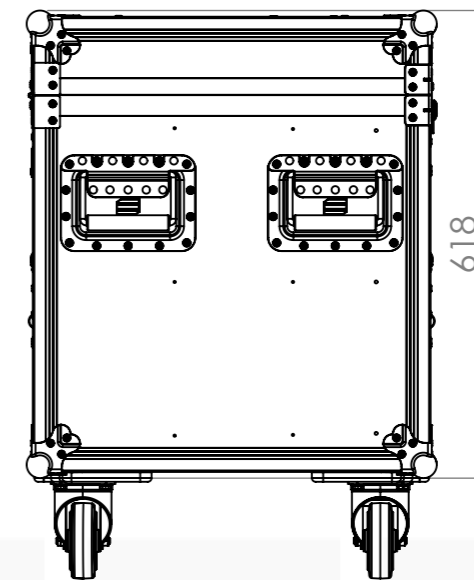
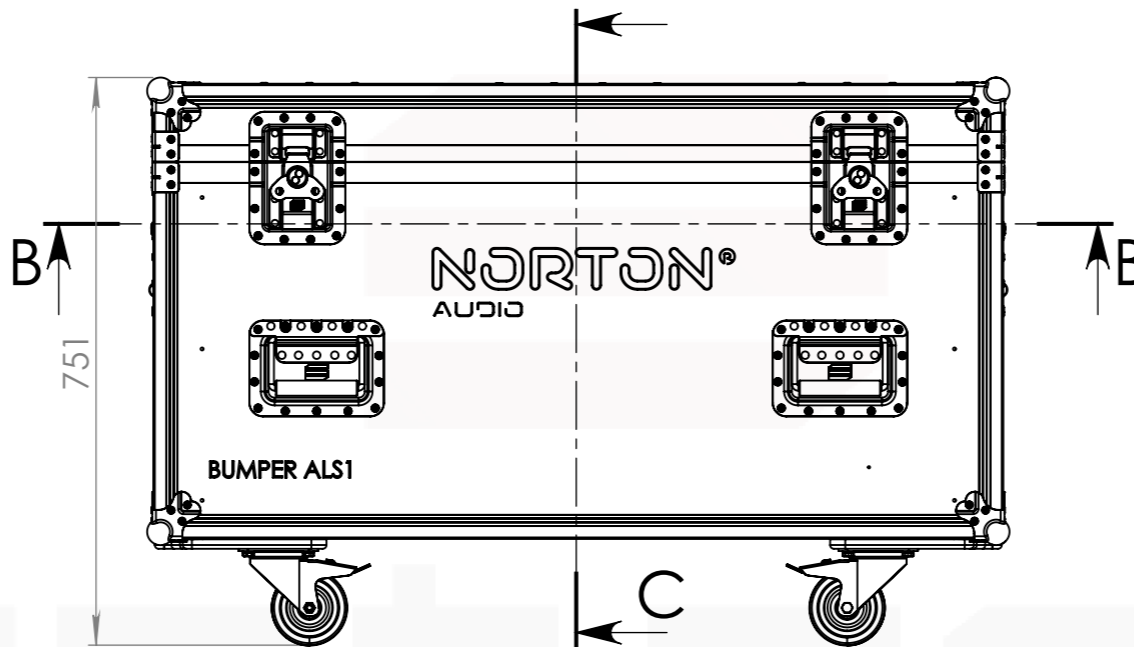
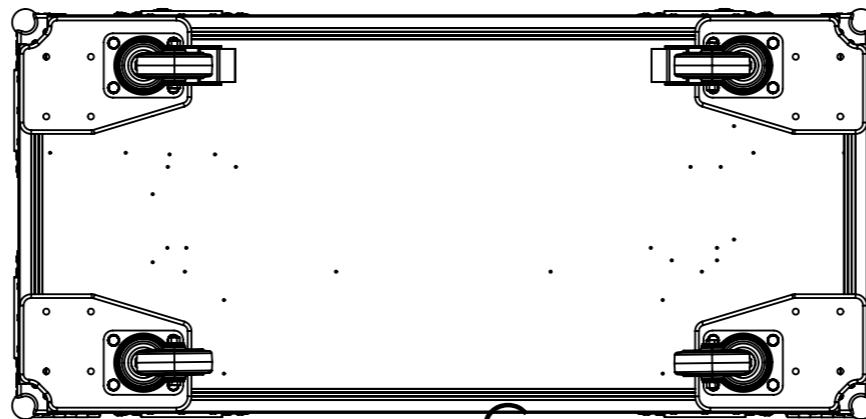
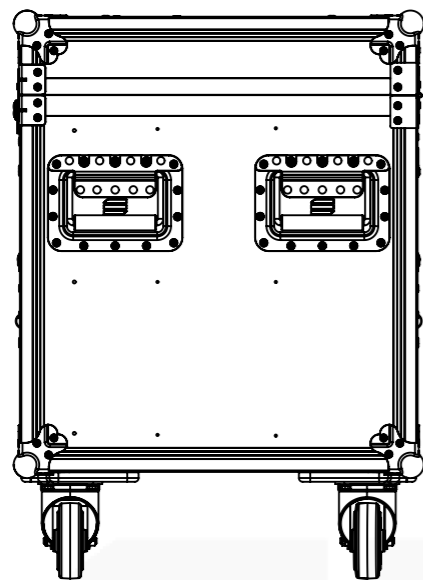
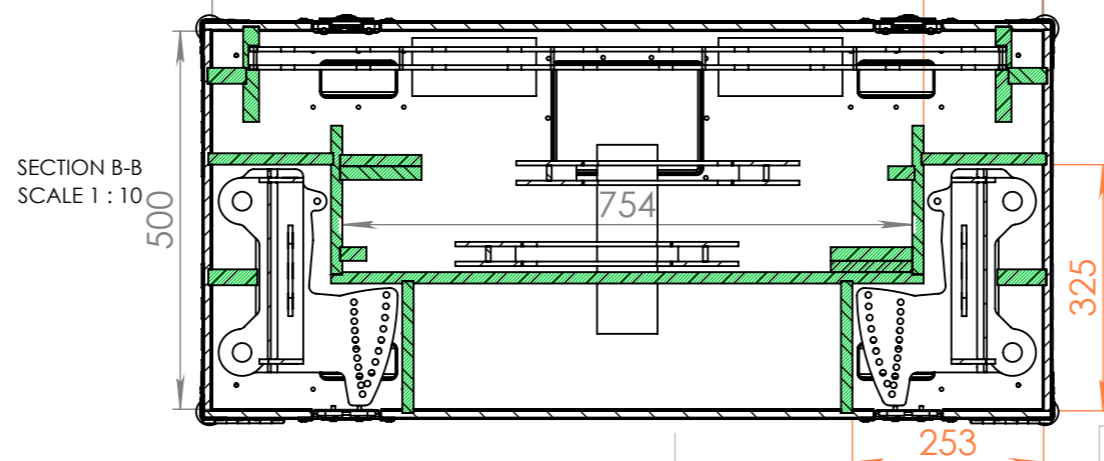
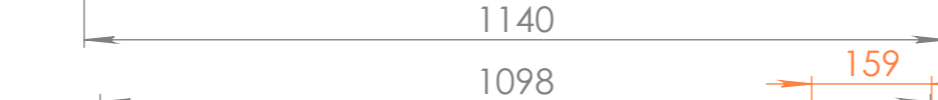
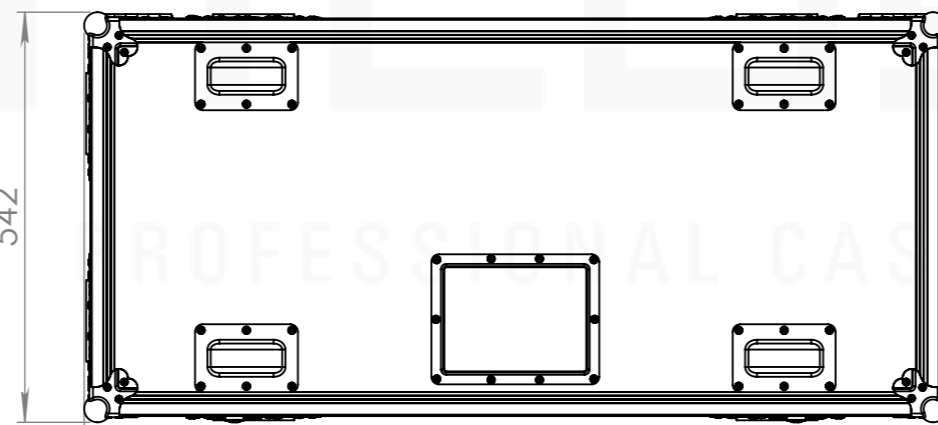


Interior dimensions

Width	Depth	Height
1098	500	580
Weight	Approx. 61 Kg	



SECTION C-C
SCALE 1 : 10



SECTION B-B
SCALE 1 : 10

This drawing must not be copied or disclosed without consent of the owner

Drawn by	Name	Date
telmosantos	telmosantos	11/12/2019
Reference	FRAME.107	
Scale	units in mm	general tolerance
1:20	DO NOT SCALE	0.8mm
1st Angle projection	SANTOSOM FC. 2X BUMPER NORTON RIG LS2	

