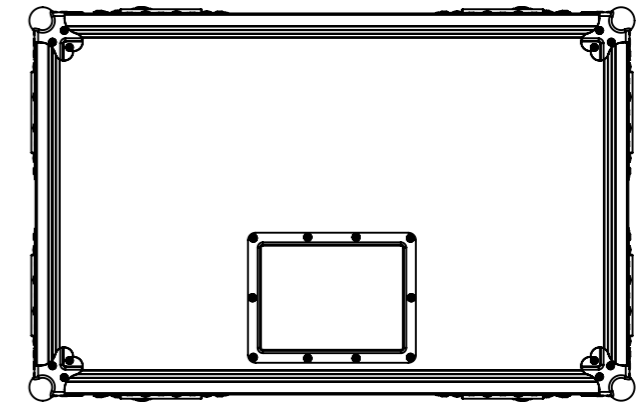
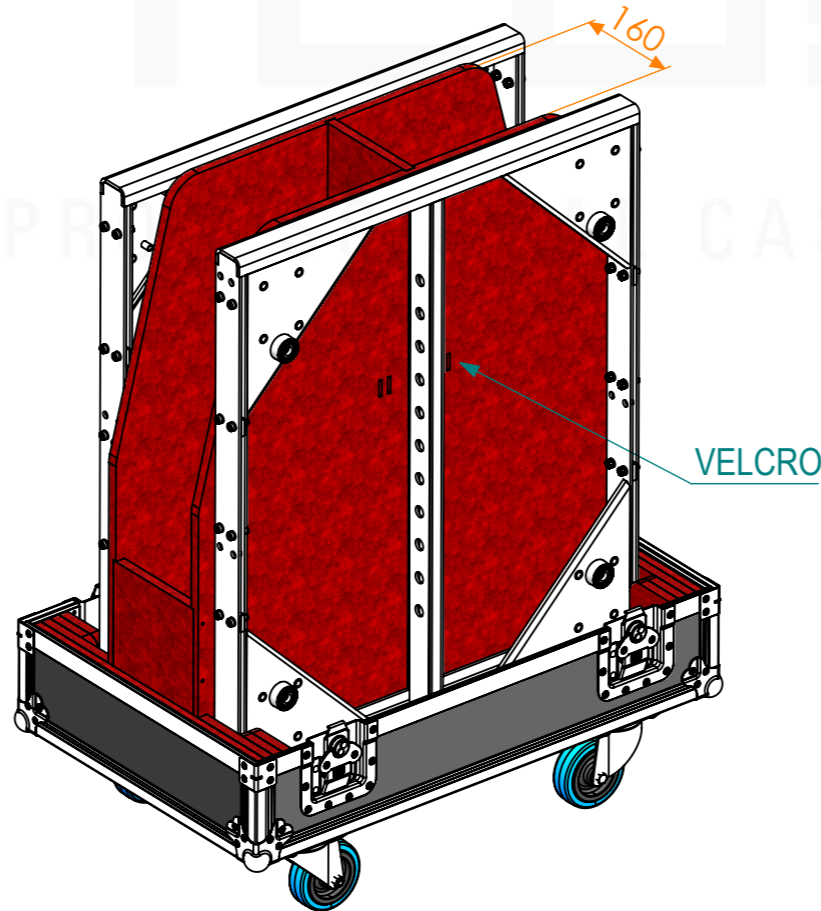
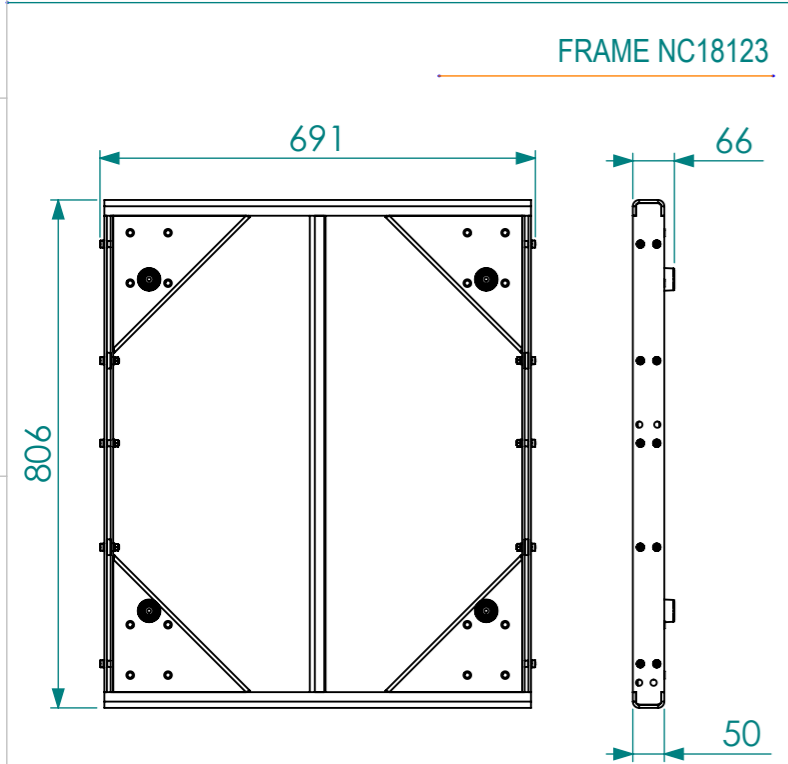
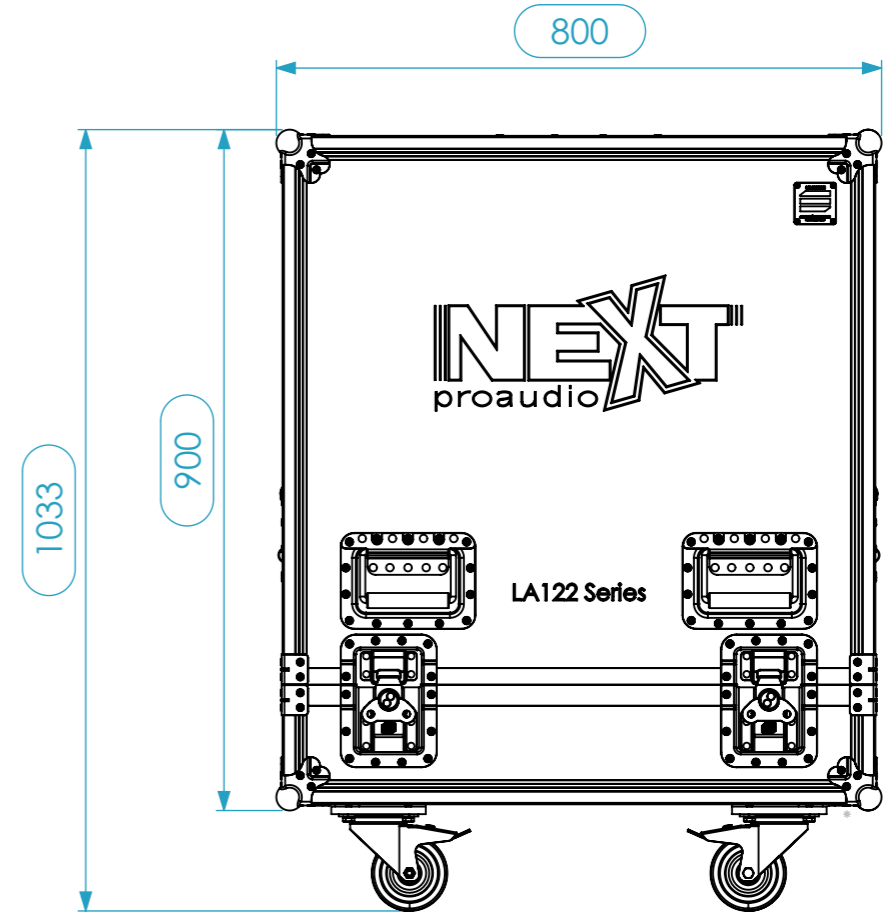
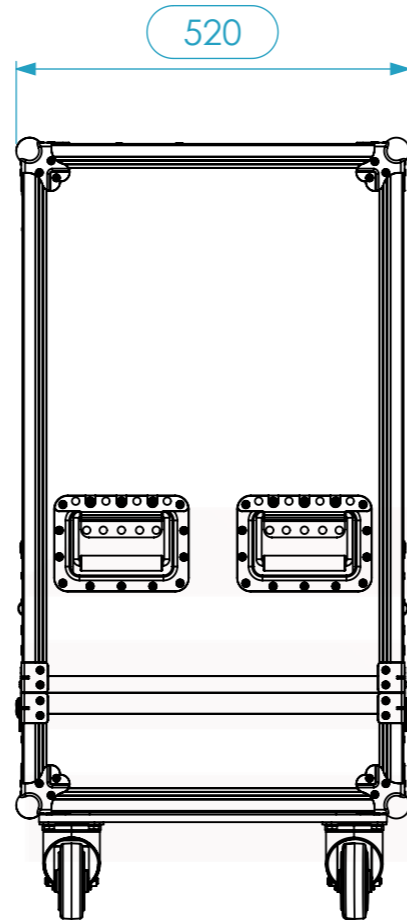
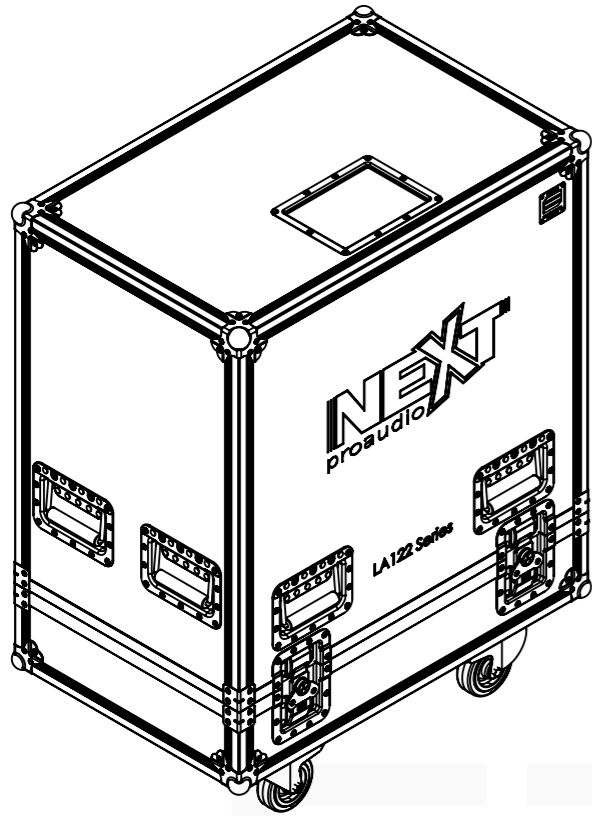


Internal Dimensions		
Width	Depth	Height
668	412	800
Weight	Approx. 56 Kg	
Wall Thickness	10mm	



General External Dimensions		Usable Inner Dimensions	
W	Width	Wi	Inside Width
D	Depth	Di	Inside Depth
H	Height	Hi	Inside Height

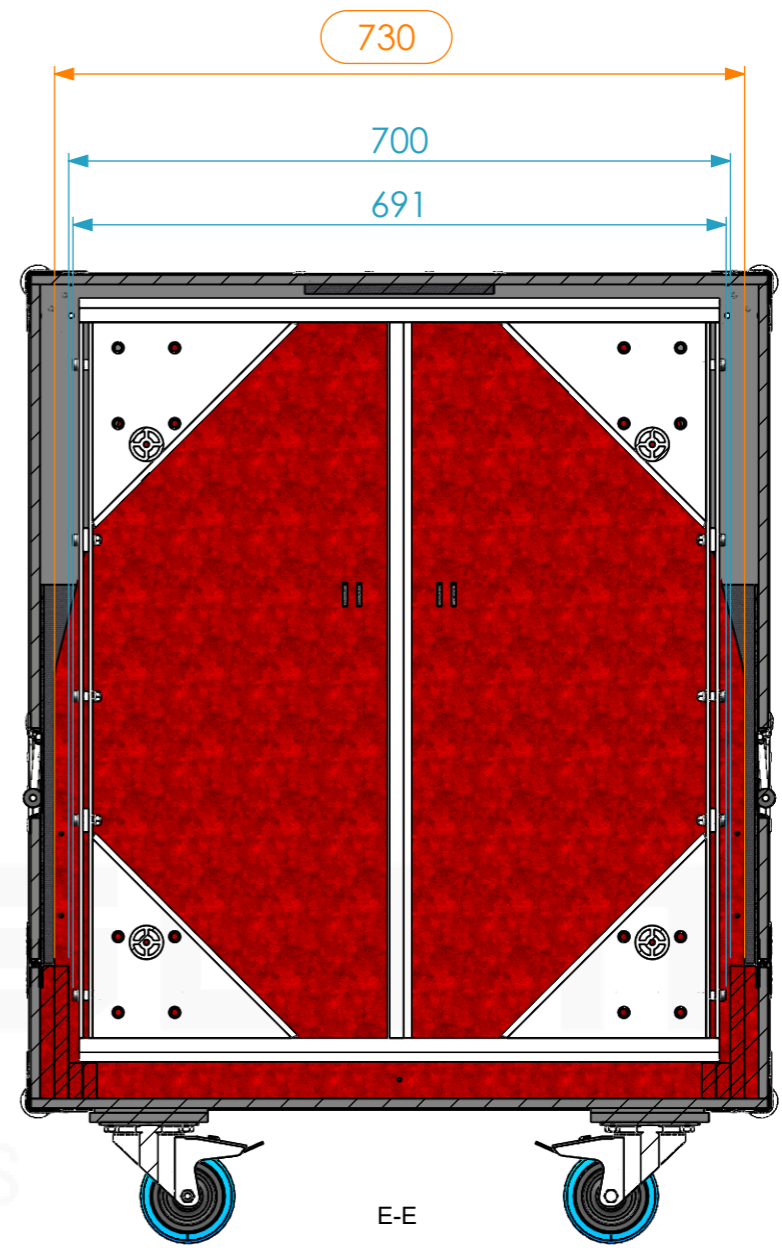
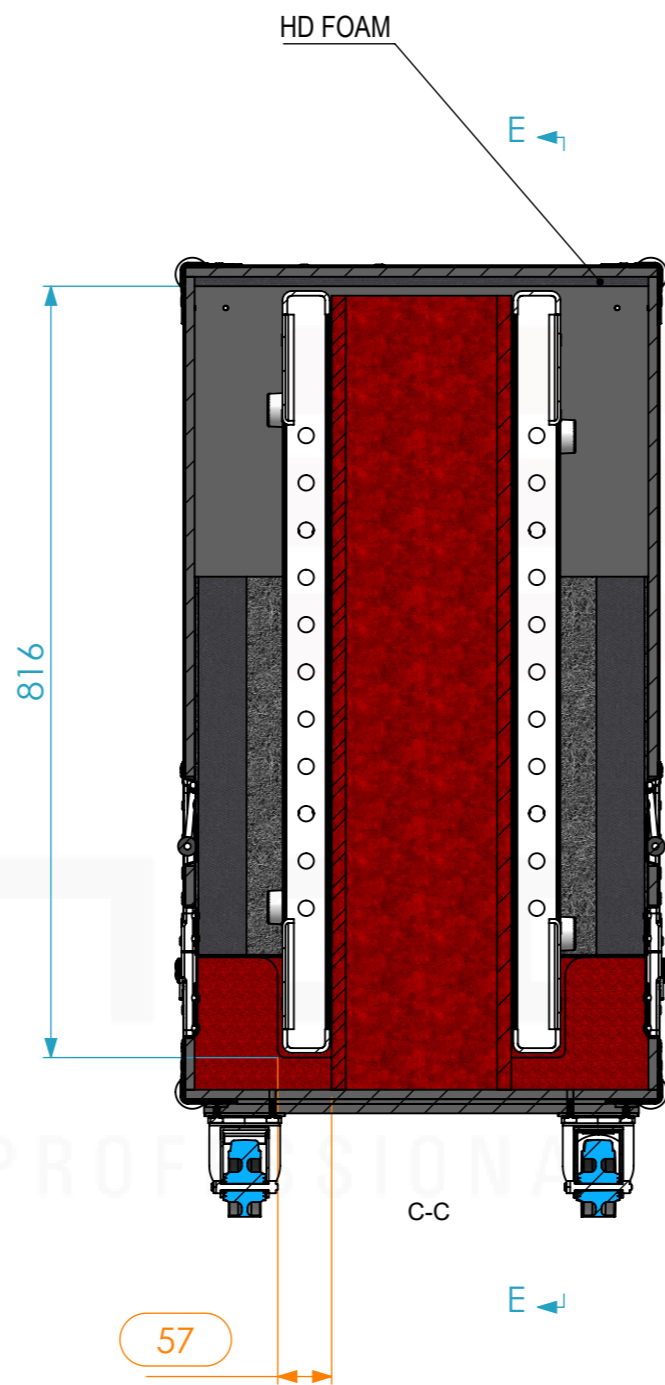
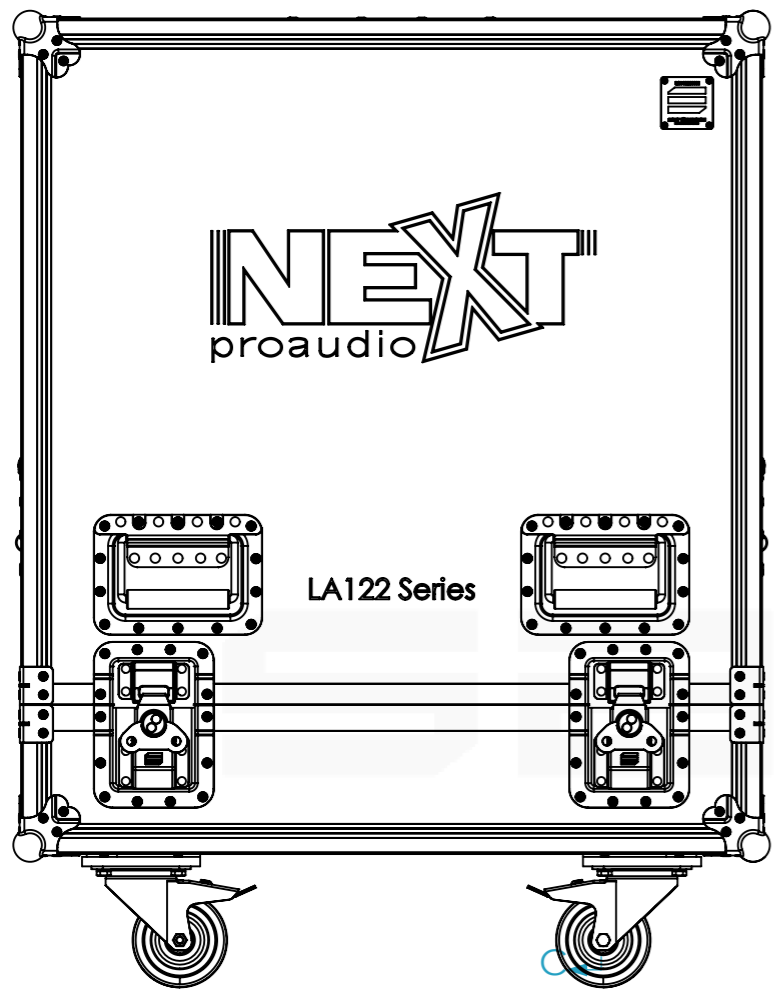
Name	Date
Drawn by CarlaSilva	03/01/2019
Reference	FRAME.215
Scale	1:10
units in mm	general tolerance 0.8mm
DO NOT SCALE	
FC PRO, 2X FRAME NEXT LA122 (NC18123)	



This drawing must not be copied or disclosed without consent of the owner



A3



Drawn by	Name	Date
CarlaSilva	CarlaSilva	03/01/2019
Reference	FRAME.215	
Scale	units in mm	general tolerance
1:8	DO NOT SCALE	0.8mm
1st Angle projection	FC PRO, 2X FRAME NEXT LA122 (NC18123)	



This drawing must not be copied or disclosed without consent of the owner

A3