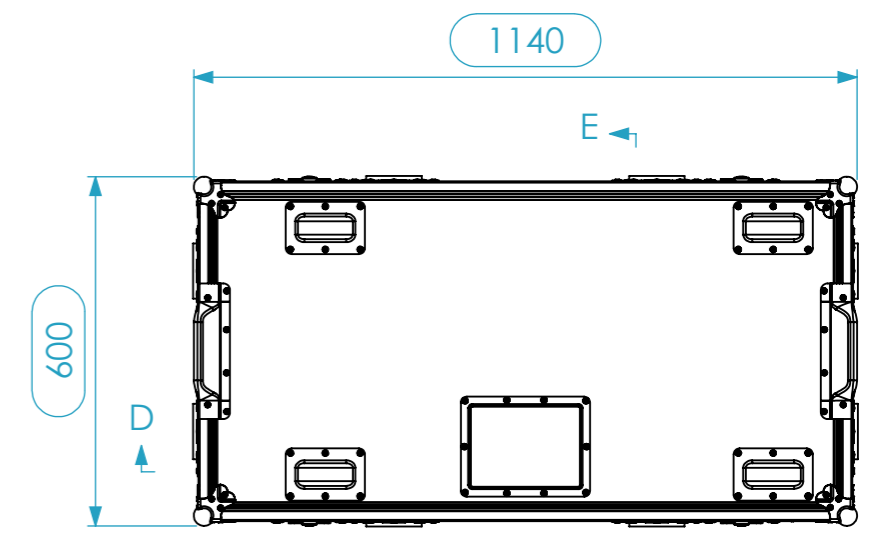
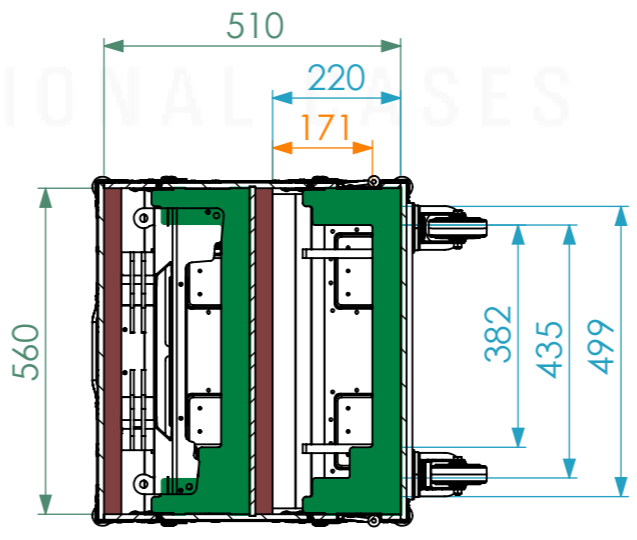
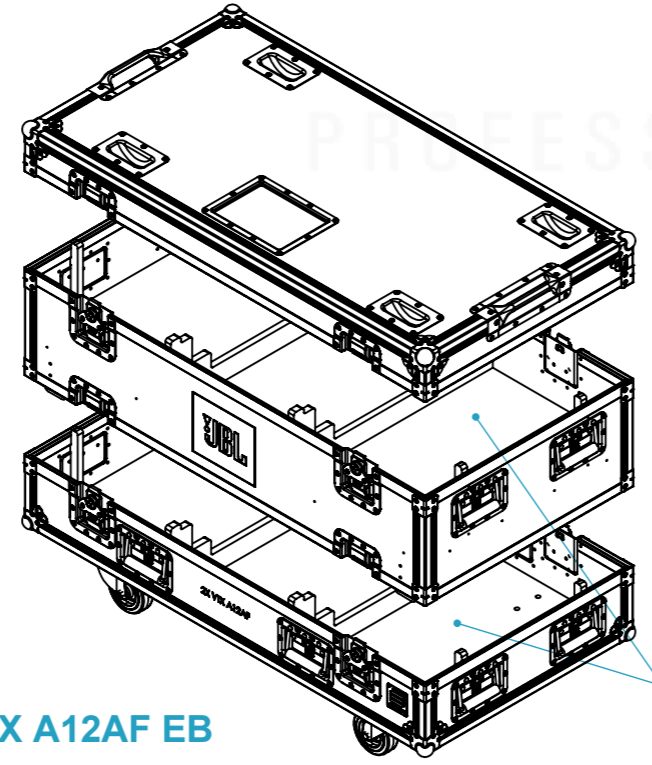
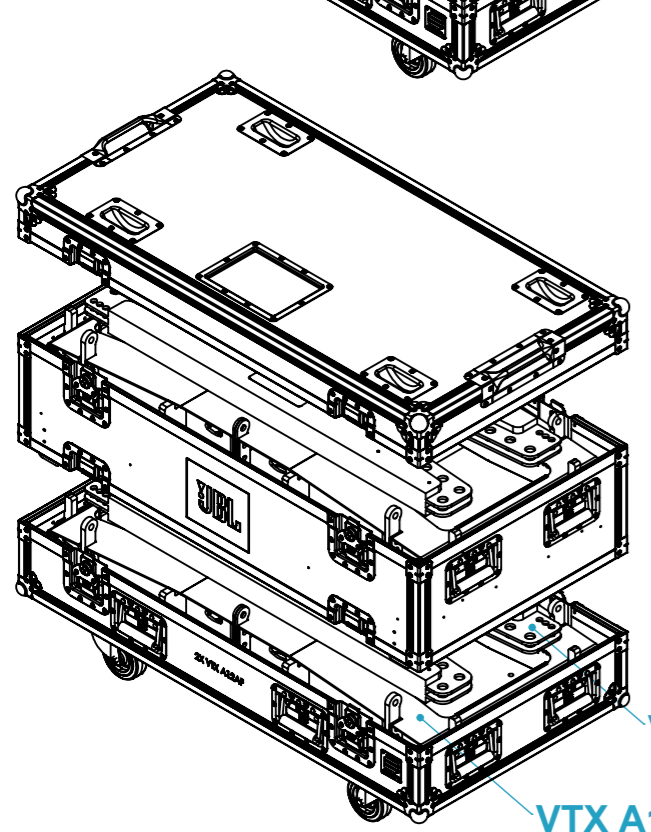
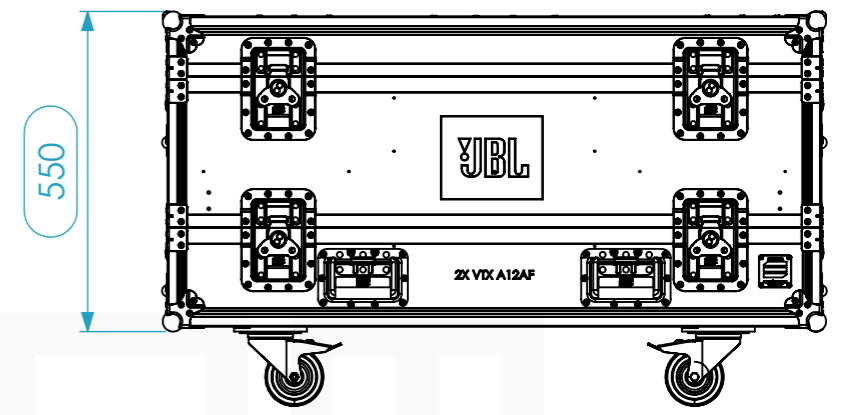
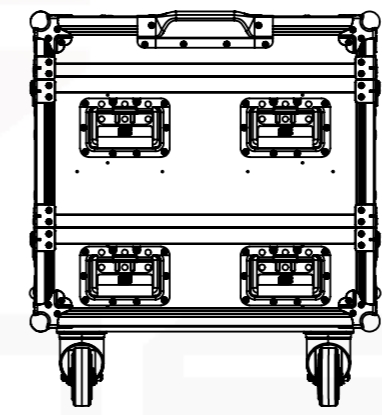
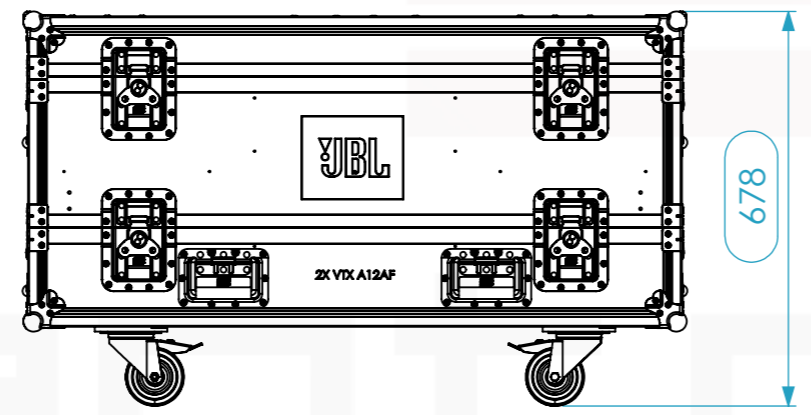
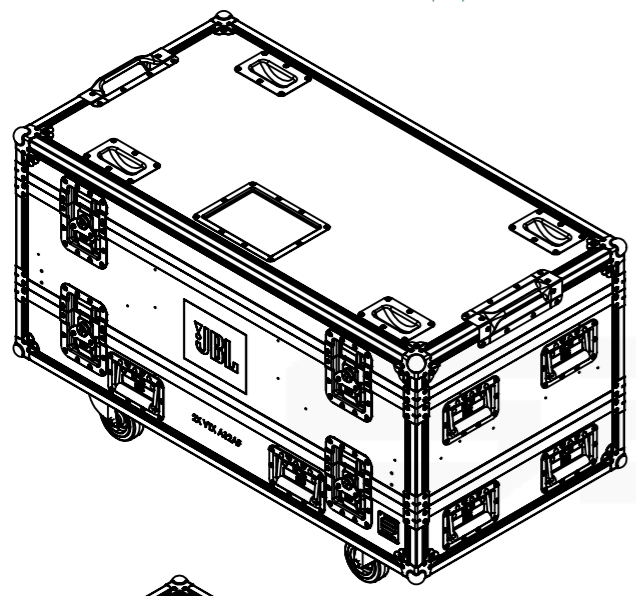
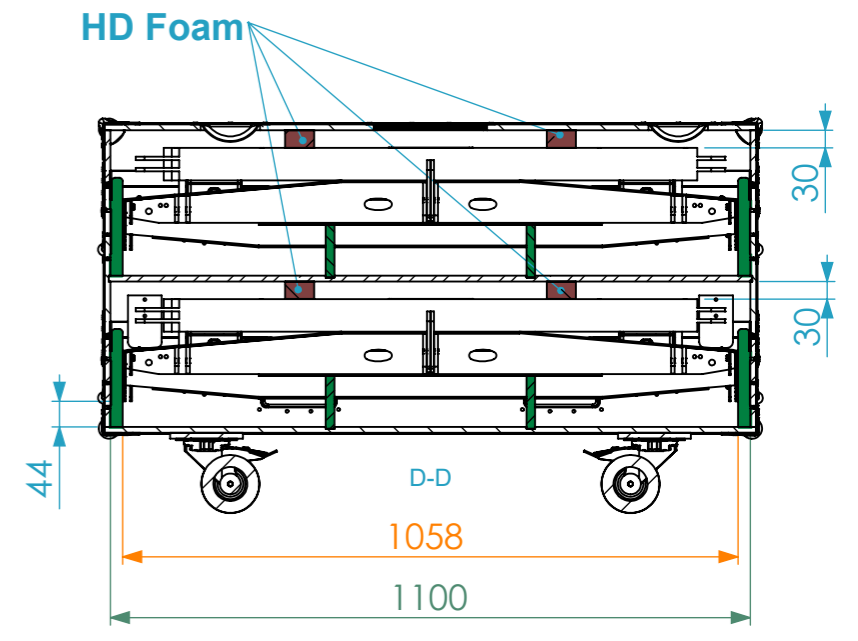
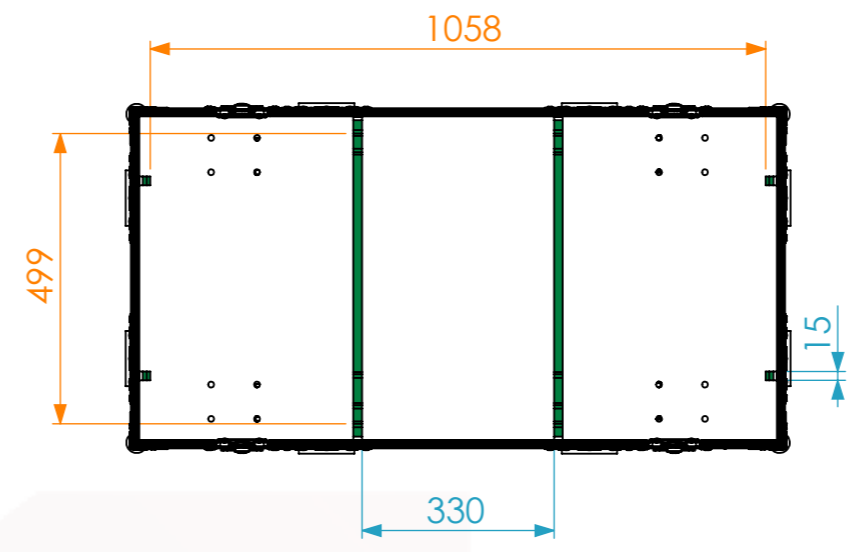
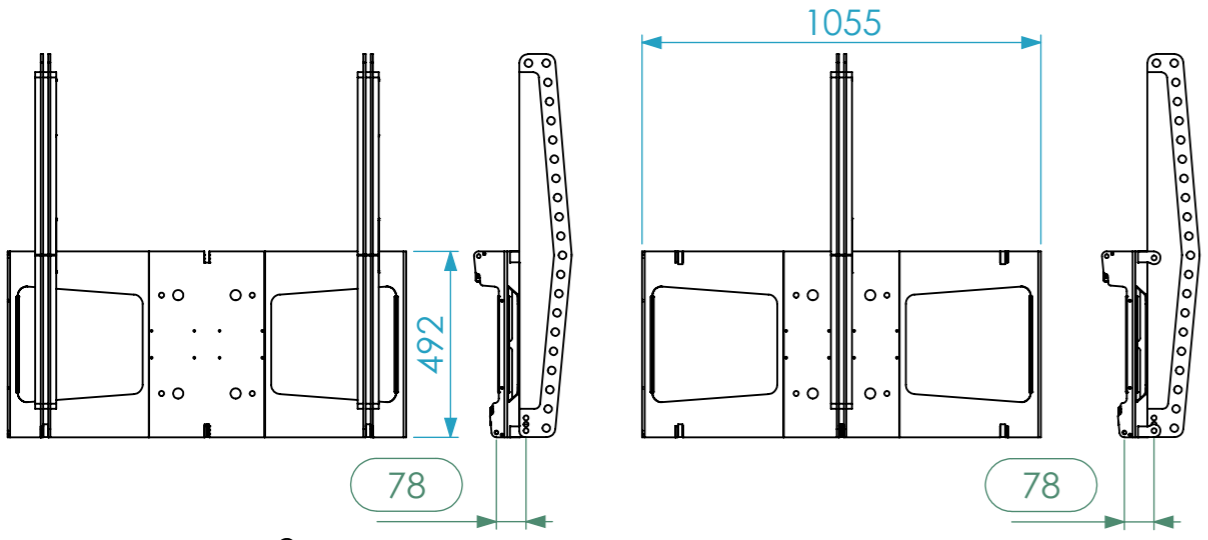


Internal Dimensions		
Width	Depth	Height
1096	556	510
Weight	Approx. 47 Kg	
Wall Thickness		10mm

JBL ARRAY FRAME VTX A12AF



VTX A12AF EB

VTX A12AF Compartment

VTX A12AF

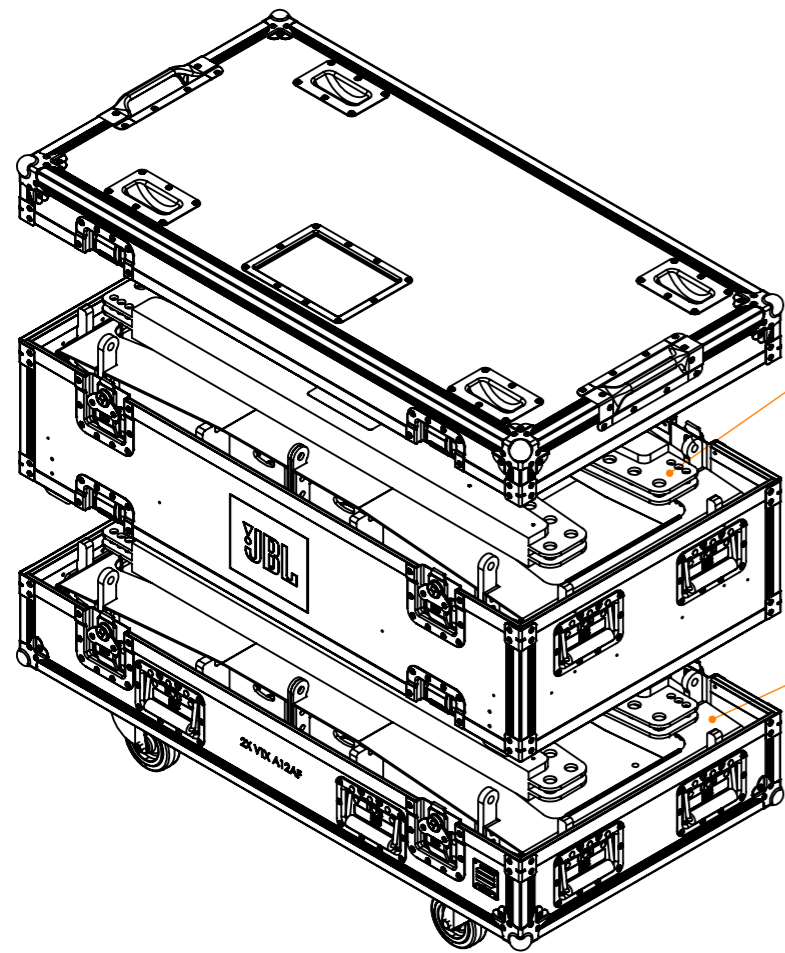
General External Dimensions		Usable Inner Dimensions		Wood Inner Dimensions	
W	Width	Wi	Inside Width	WWi	Wood Inside Width
D	Depth	Di	Inside Depth	WDi	Wood Inside Depth
H	Height	Hi	Inside Height	WHi	Wood Inside Height

This drawing must not be copied or disclosed without consent of the owner

Drawn by	jorgepacheco	Name		Date	06/06/2018
Reference	FRAME.213	Scale	1:13	units in mm	general tolerance 0.8mm
FC PRO 3, 2X JBL ARRAY FRAME VTX A12AF, RODAS					

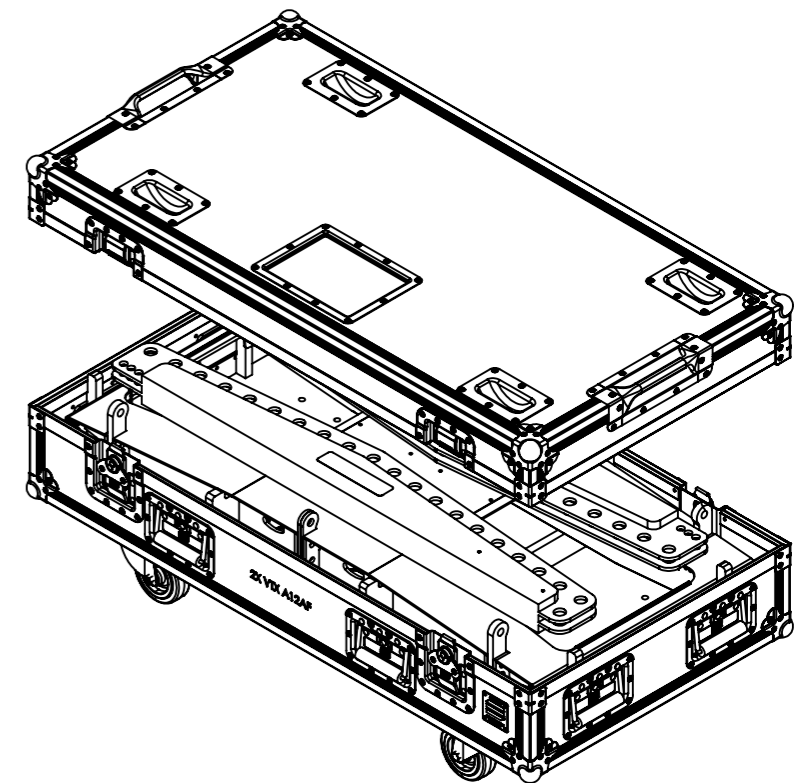
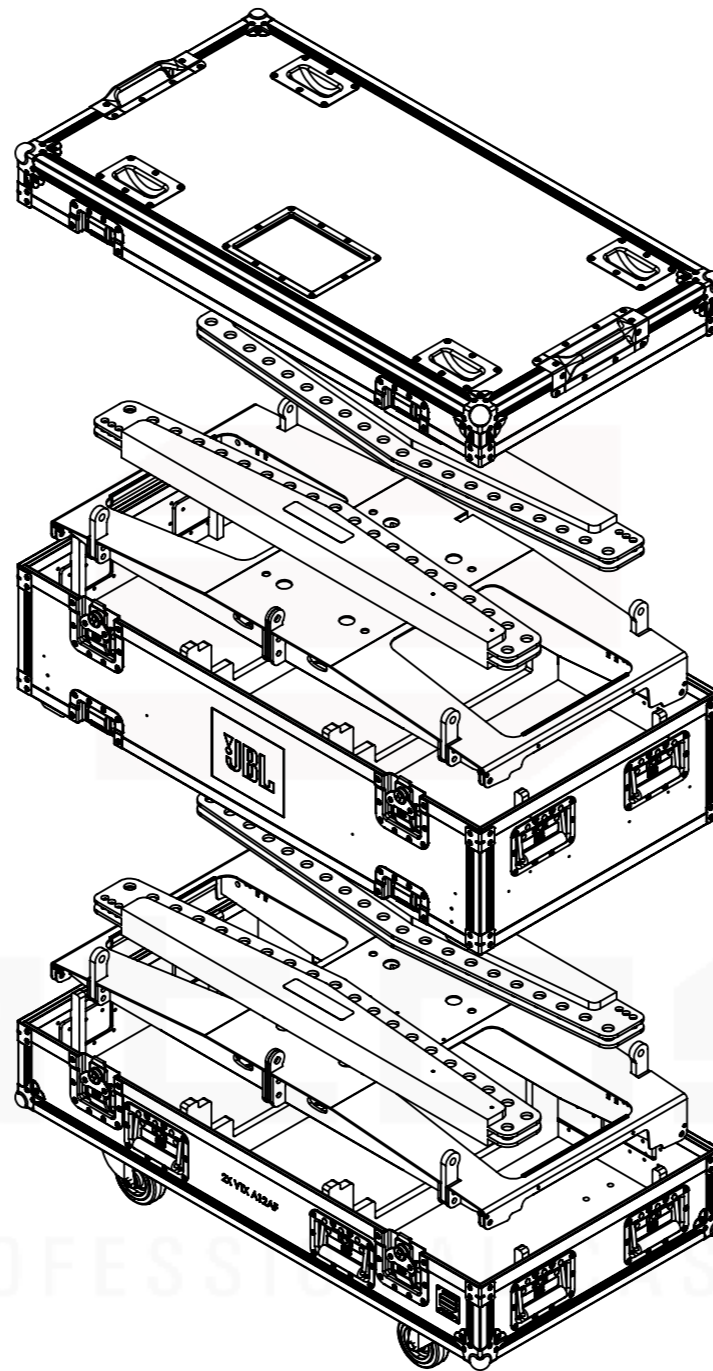


CONFIGURATIONS



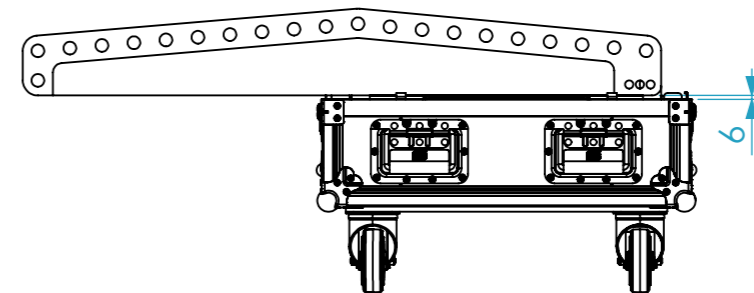
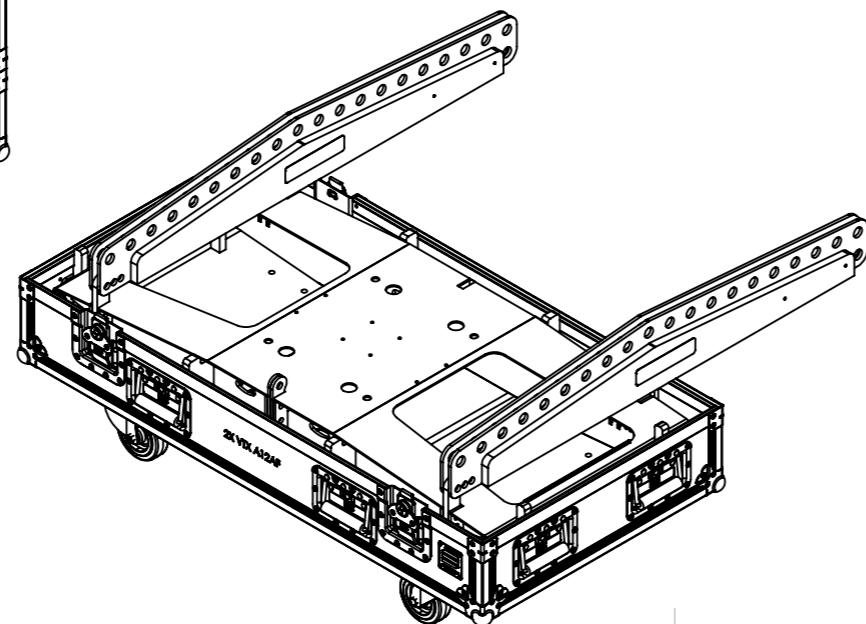
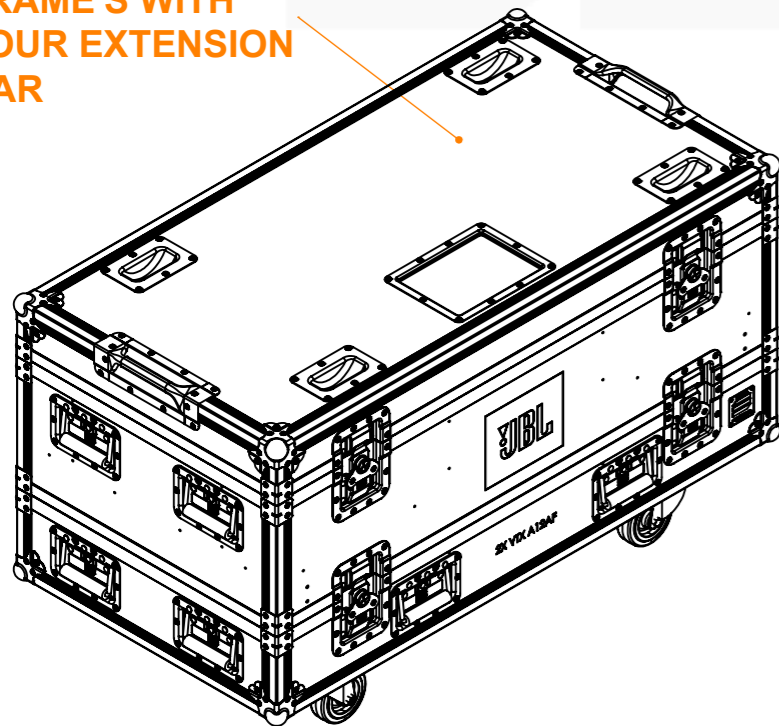
VTX A12AF EB

VTX A12AF



CASE FOR ONE FRAME WITH TWO EXTENSION BAR

CASE FOR TWO FRAME'S WITH FOUR EXTENSION BAR



	Name	Date
Drawn by	jorgepacheco	06/06/2018
Reference	FRAME.213	
	Scale	units in mm DO NOT SCALE
	1:12	general tolerance 0.8mm
	FC PRO 3, 2X JBL ARRAY FRAME VTX A12AF, RODAS	



This drawing must not be copied or disclosed without consent of the owner



A3