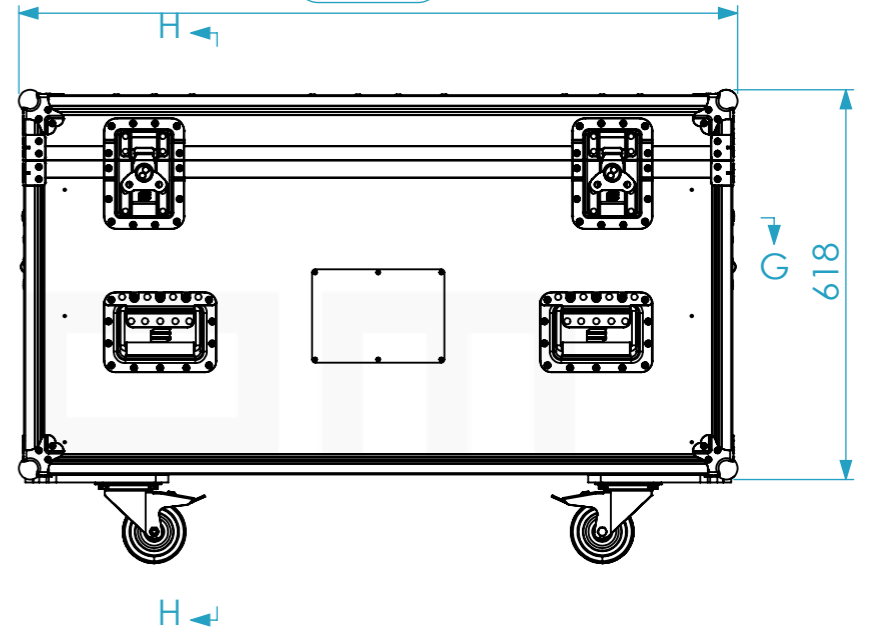
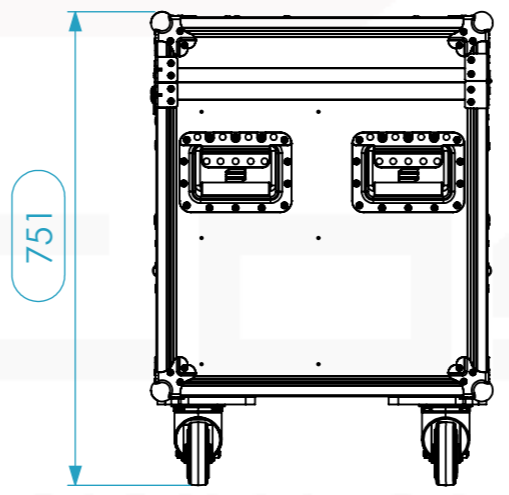
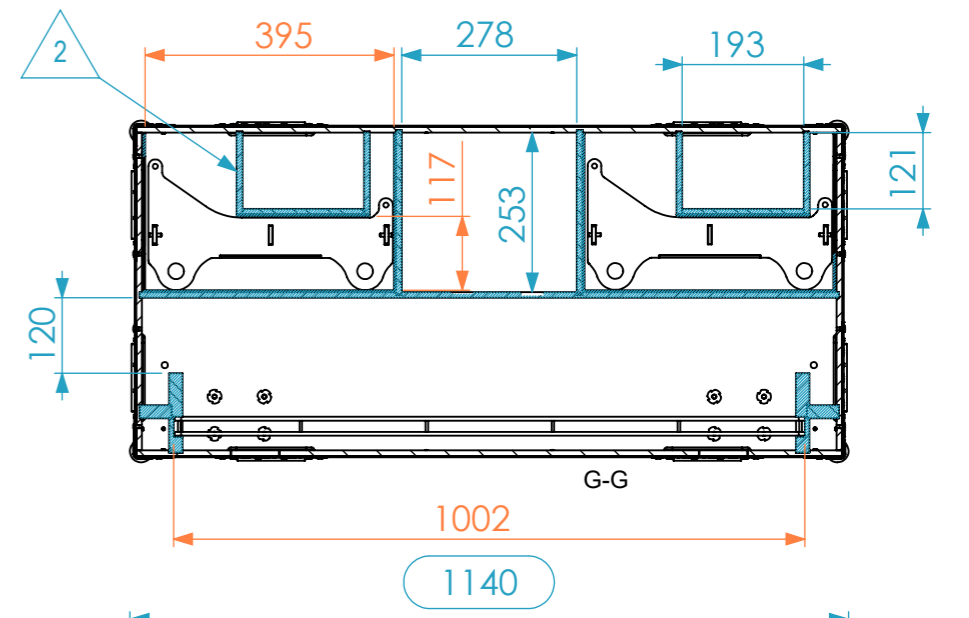
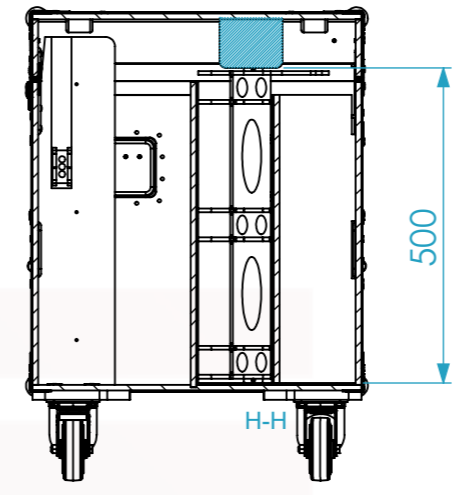
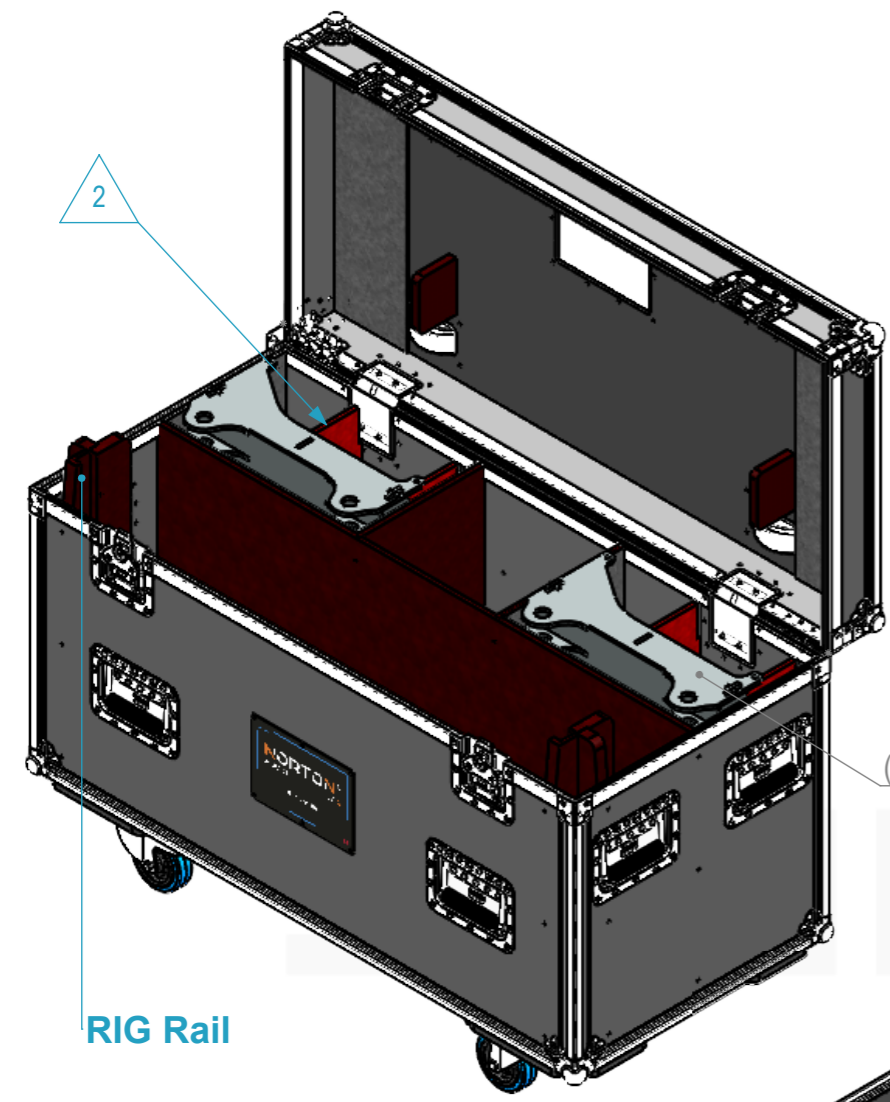


Internal Dimensions

| | | |
|-----------------------|---------------|---------------|
| Width | Depth | Height |
| | 468 | 580 |
| Weight | Approx. 49 Kg | |
| Wall Thickness | | 9mm |

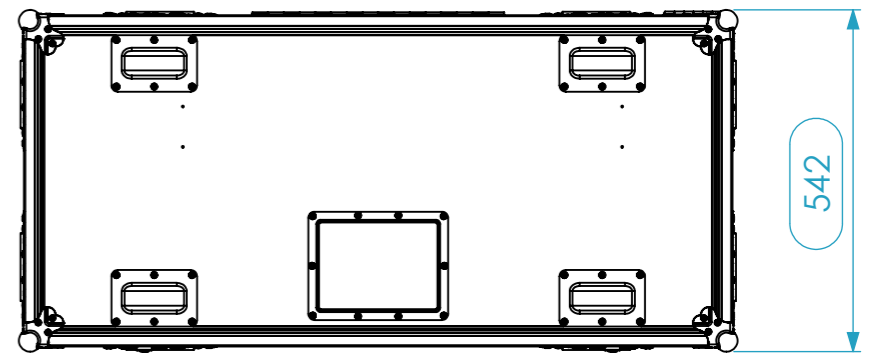
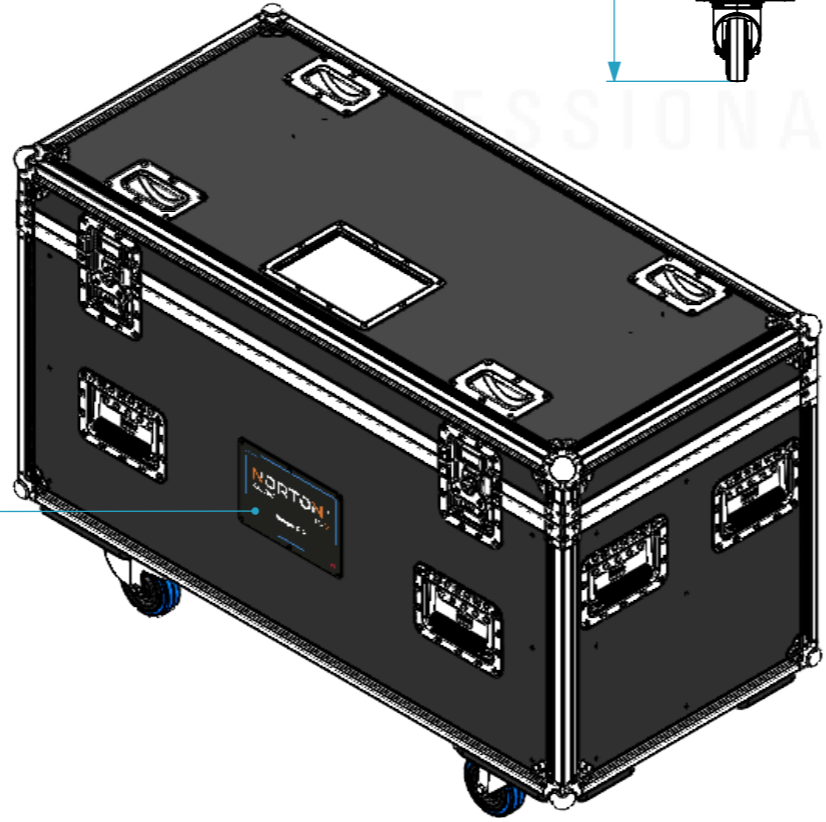
| REVISIONS | | | |
|-----------|---------------------|------------|--------------|
| REV. | DESCRIPTION | DATE | APPROVED |
| 2 | Added wood dividers | 16-11-2018 | Telmo Santos |



(2x) NORTON BUMPER LS2

LOGO.06A5
 Chromatic ID system
 ID plate panel with UV features included;

- YOUR LOGO,
- Activity Sector ID,
- Devices Brand and Series.



* Devices not included

A3 This drawing must not be copied or disclosed without consent of the owner

| | | |
|---------------------------------------|---------------|-------------------|
| Drawn by | Name | Date |
| alvaro.santos | alvaro.santos | 10/02/2023 |
| Reference | FRAME.107 | |
| Scale | units in mm | general tolerance |
| 1:12 | DO NOT SCALE | 0.8mm |
| SANTOSOM FC. 2X BUMPER NORTON RIG LS2 | | |

