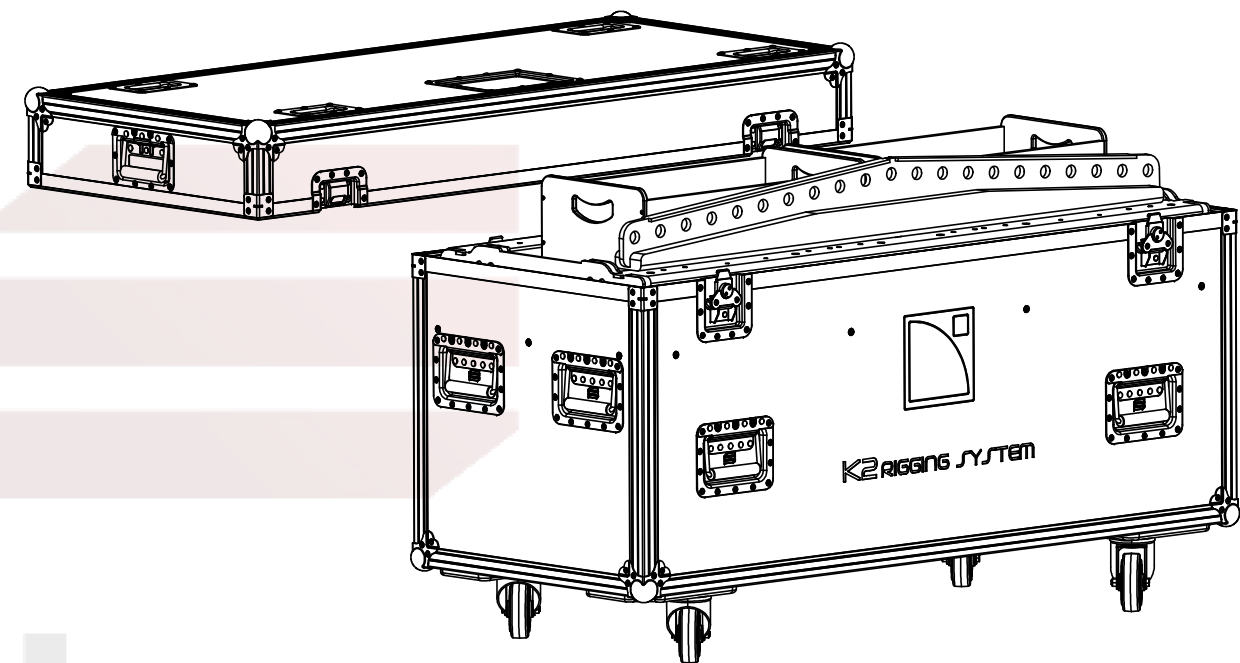
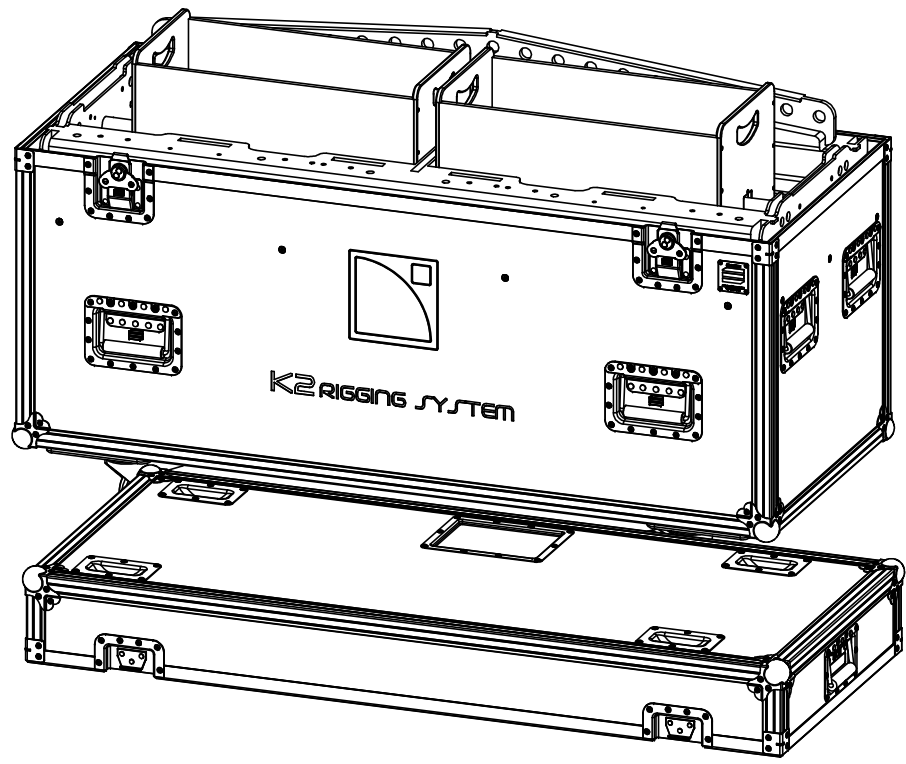


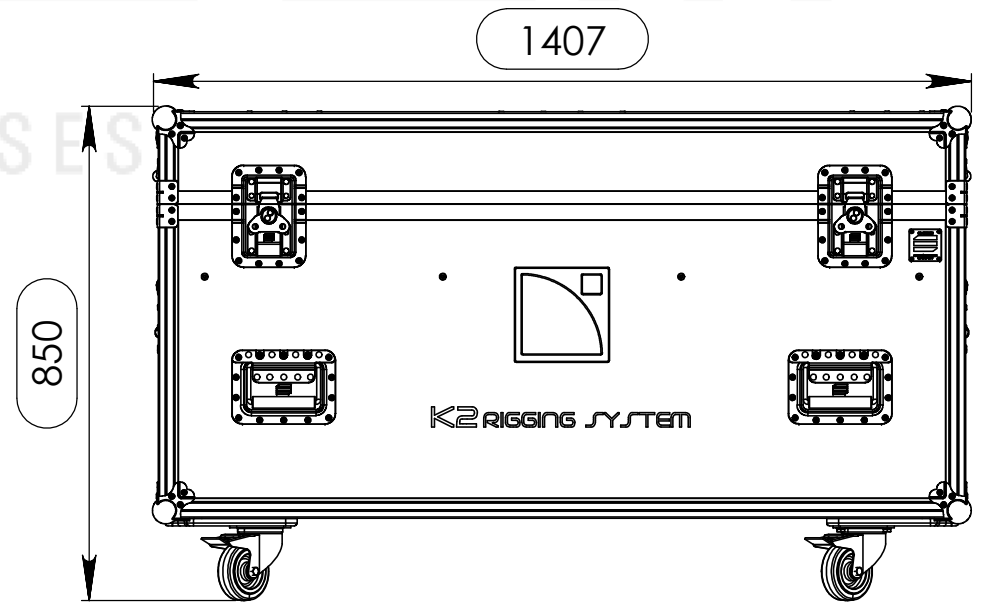
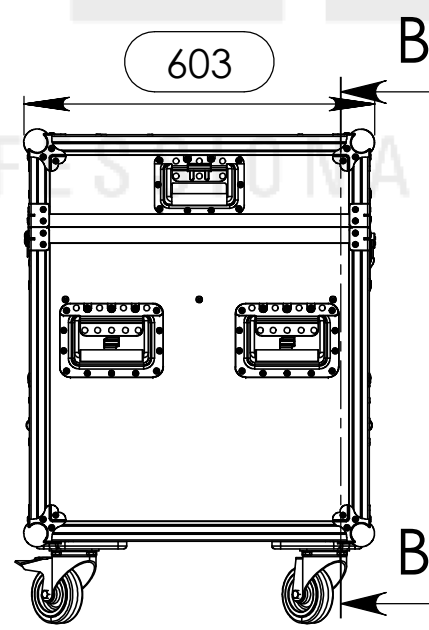
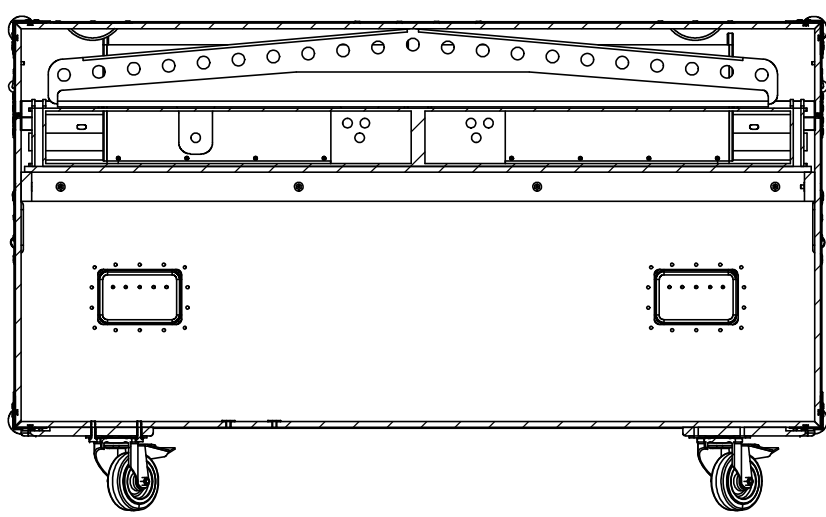
MAX DIMENSIONS			
W	D	H	weight (Kg)
1360	600	750	65

REVISIONS				
ZONE	REV.	DESCRIPTION	DATE	APPROVED
	A	Final Drawing	11/06/2015	Carlos Rodrigues



santosom

PROFESSIONAL CASES



SECTION B-B

Drawn by	Name	Date
projects		11/06/2015
Reference	FRAME.104A	
Scale	units in mm	general tolerance
1:13	DO NOT SCALE	0.8mm
FC, L-ACOUSTICS BUMPER K2		



This drawing must not be copied or disclosed without consent of the owner



A3