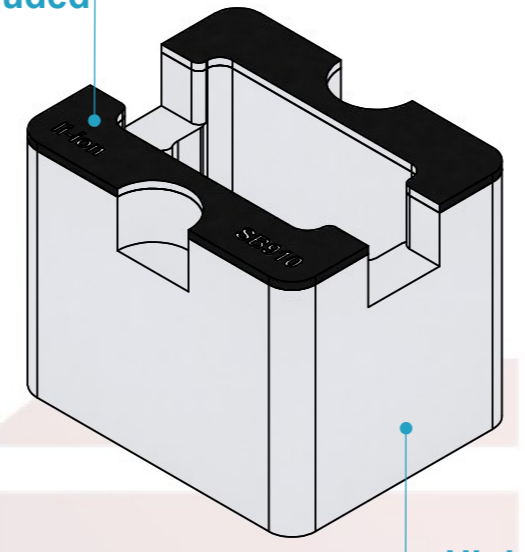


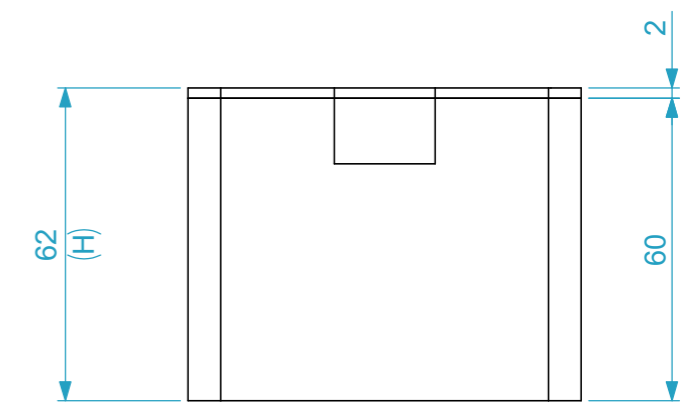
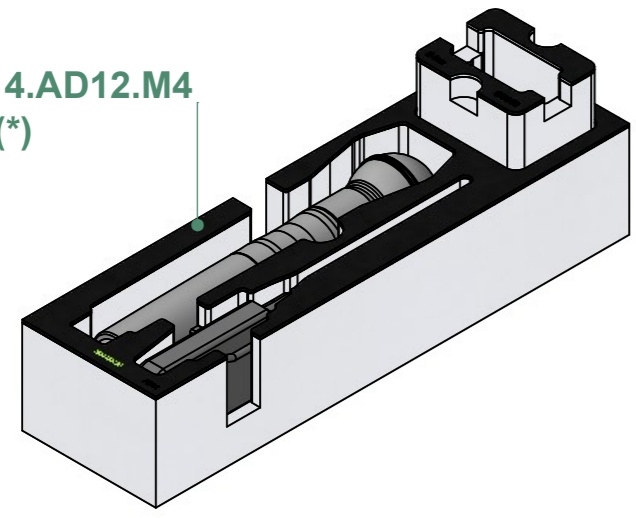
Dimensions		
Width	Depth	Height
78	62.7	62
Weight	Approx. 0.05 Kg	

UV imprint features included



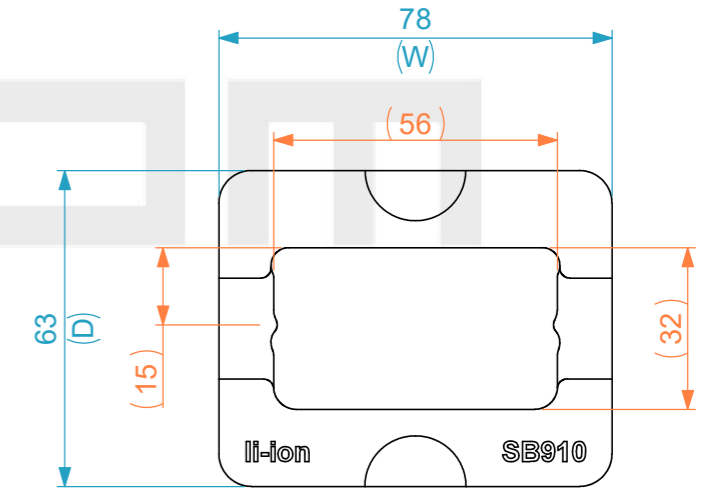
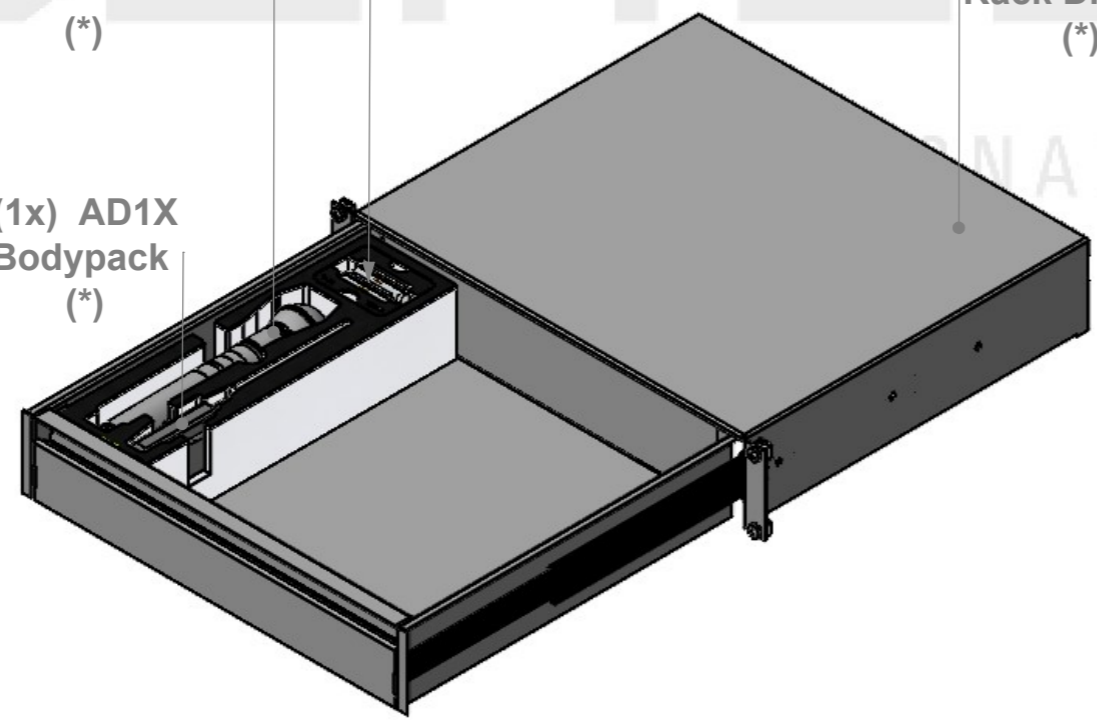
High density foam for protection and packaging of electronic devices.

FOAM1914.AD12.M4 (*)



(1x) AD2 Handheld Transmitter (*)
 (2x) SB910 Lithium-Ion Rechargeable Battery (*)
 19"x14" 2U, Aluminium Rack Drawer (*)

(1x) AD1X Bodypack (*)



(*) Devices not included

(*) Related optional items, not included

General External Dimensions	
W	Width
D	Depth
H	Height

Name	alvaro.santos	
Date	13/12/2025	
Reference	FOAMG866.SB910	
Scale	1:1.5	units in mm
DO NOT SCALE	general tolerance	0.8mm
Insert de Espuma, 2x SB910 (Li-Ion) (8x6x6cm)		



This drawing must not be copied or disclosed without consent of the owner



A3