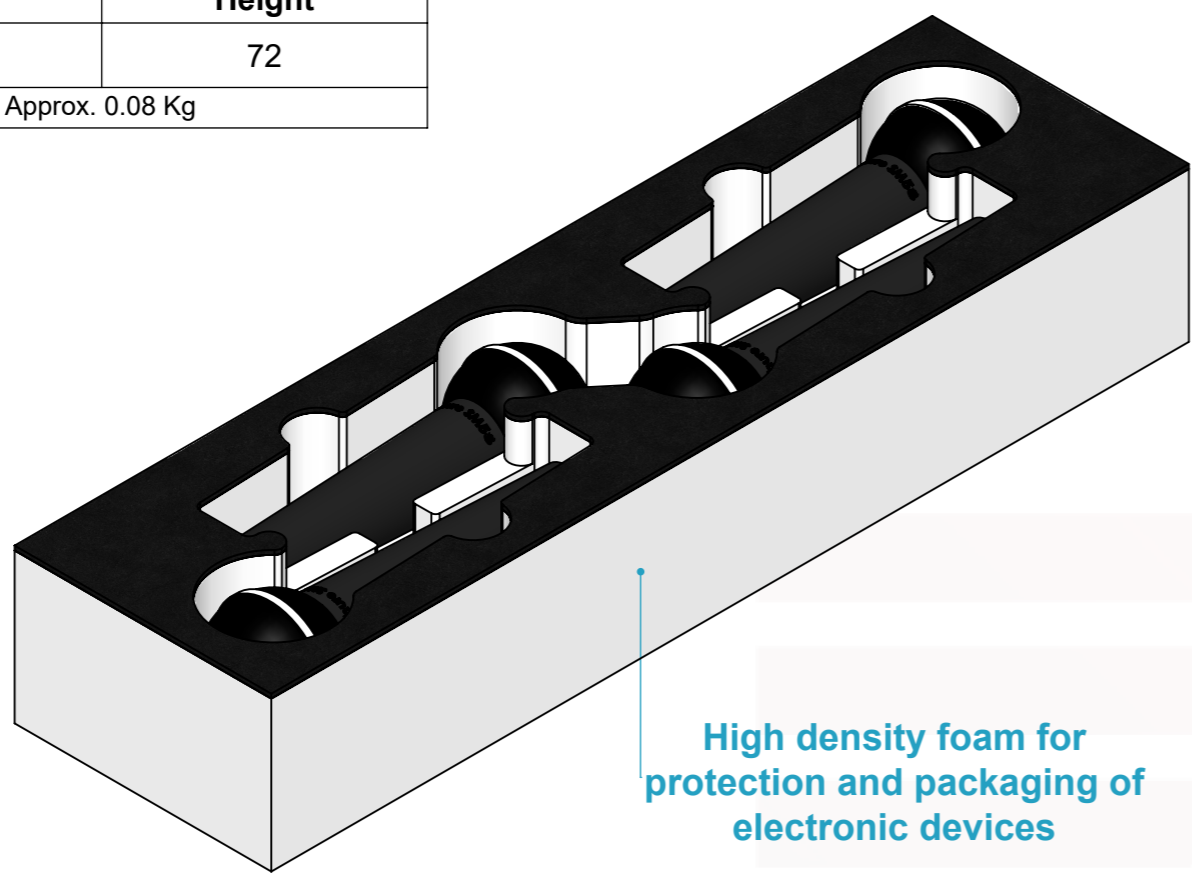
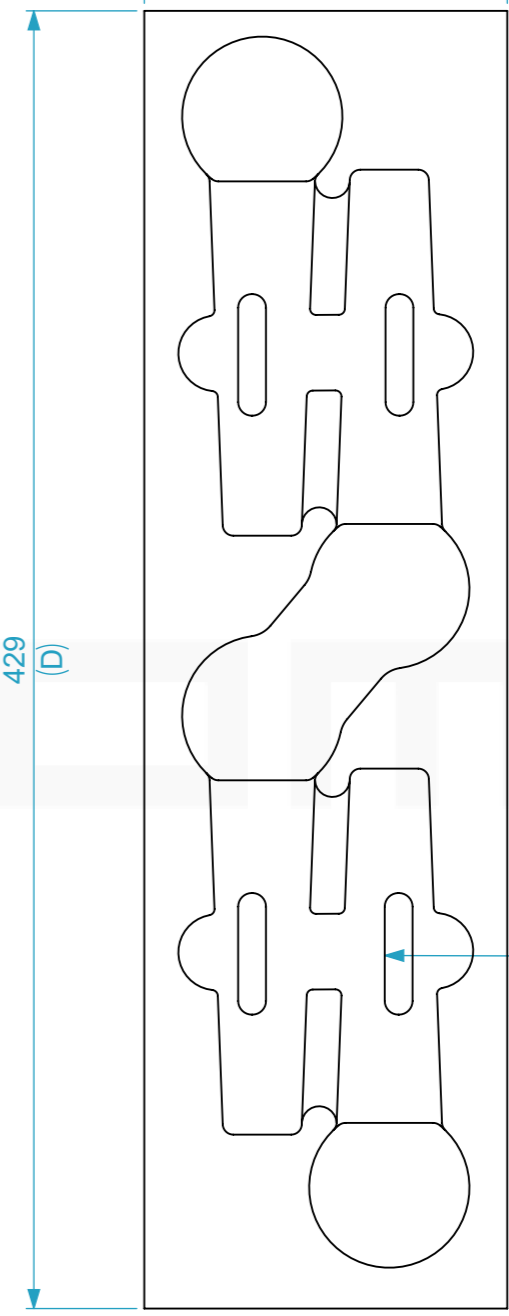
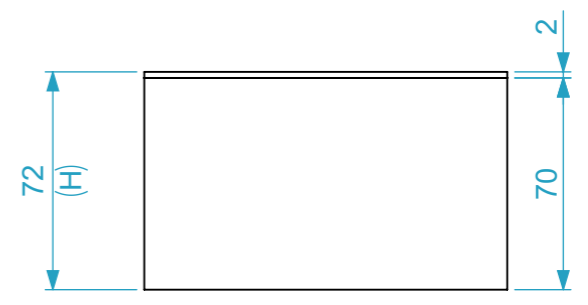


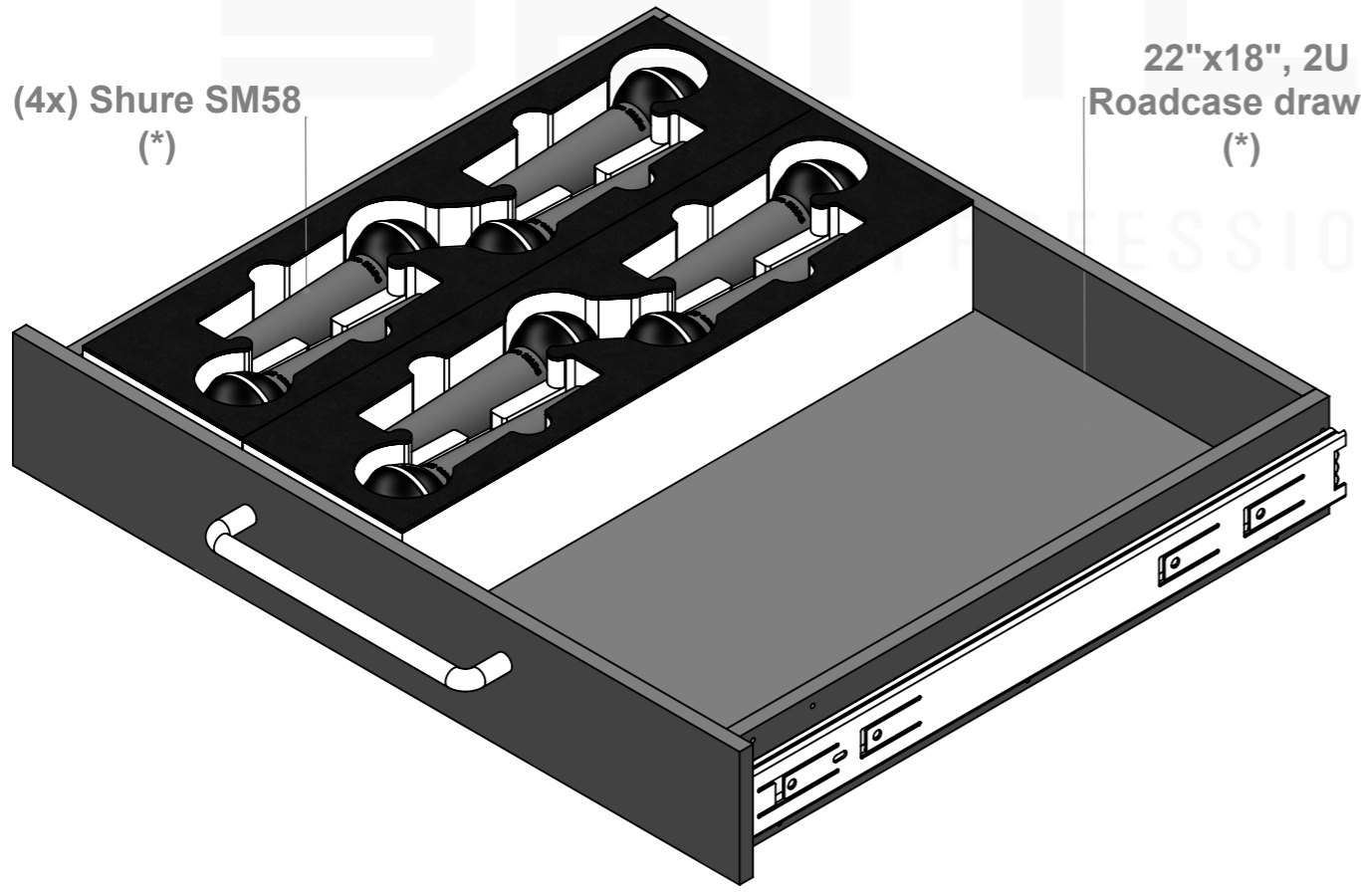
Dimensions		
Width	Depth	Height
120	429	72
Weight	Approx. 0.08 Kg	



High density foam for protection and packaging of electronic devices



Equipment ID Label Box



(4x) Shure SM58 (*)

22"x18", 2U Roadcase drawer (*)

General External Dimensions	
W	Width
D	Depth
H	Height

(*) Devices not included

A3

This drawing must not be copied or disclosed without consent of the owner



Drawn by	Name	Date
alvaro.santos	alvaro.santos	18/10/2023
Reference	FOAM2218.SM58.M4	
Scale	units in mm	general tolerance
1:2.5	DO NOT SCALE	0.8mm
D-Foam 2U, Shure 4x SM58		

