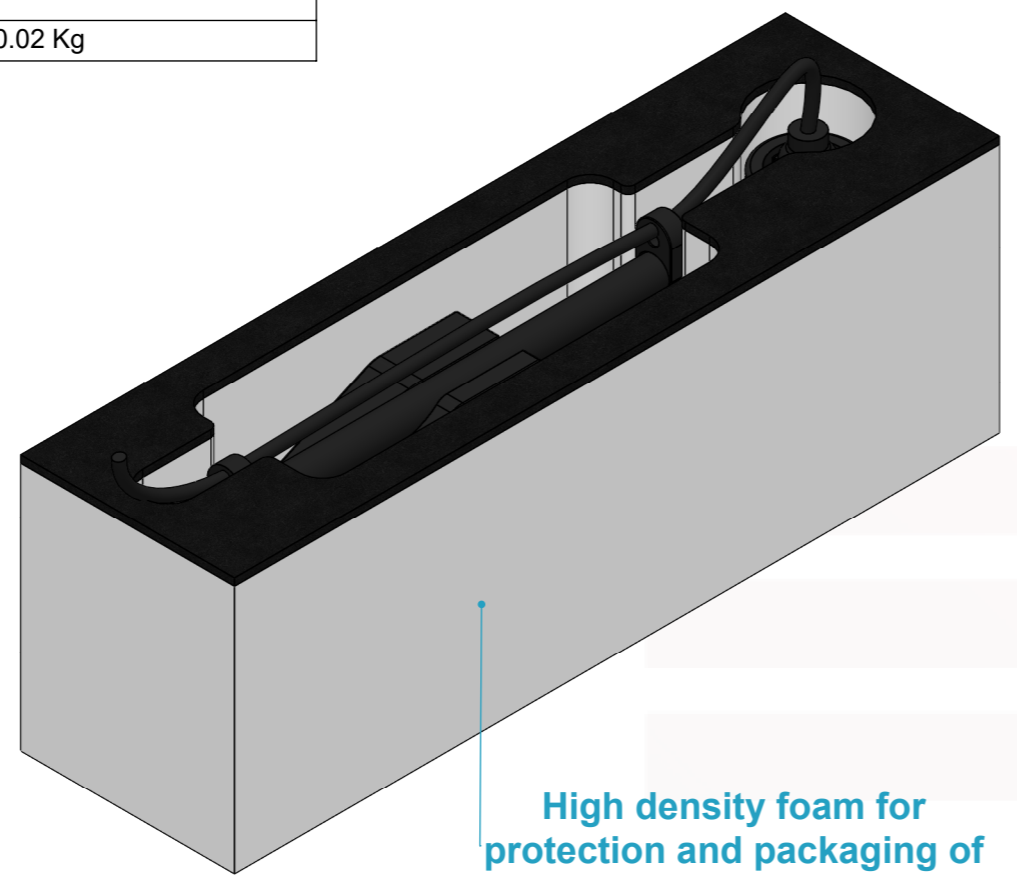
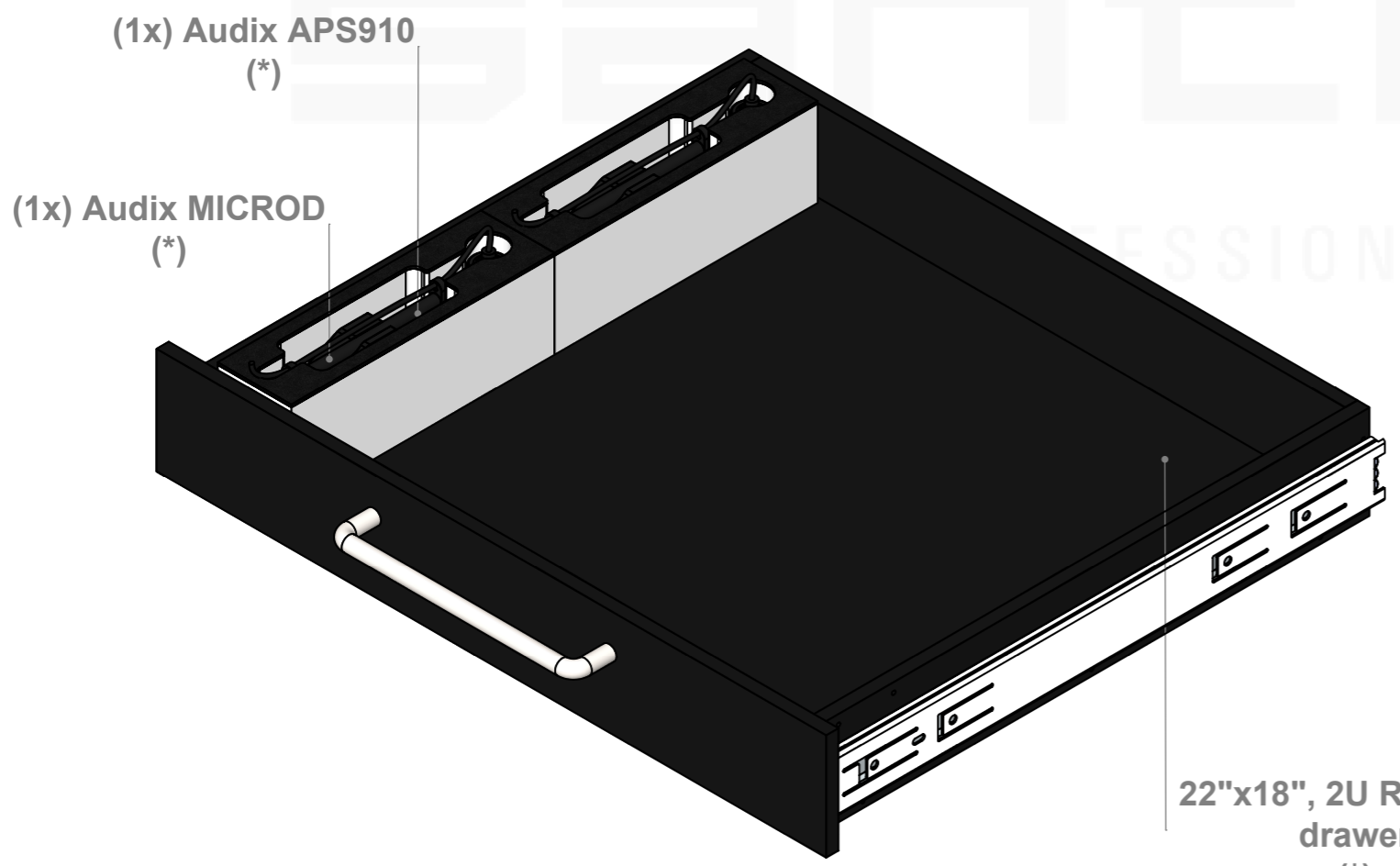
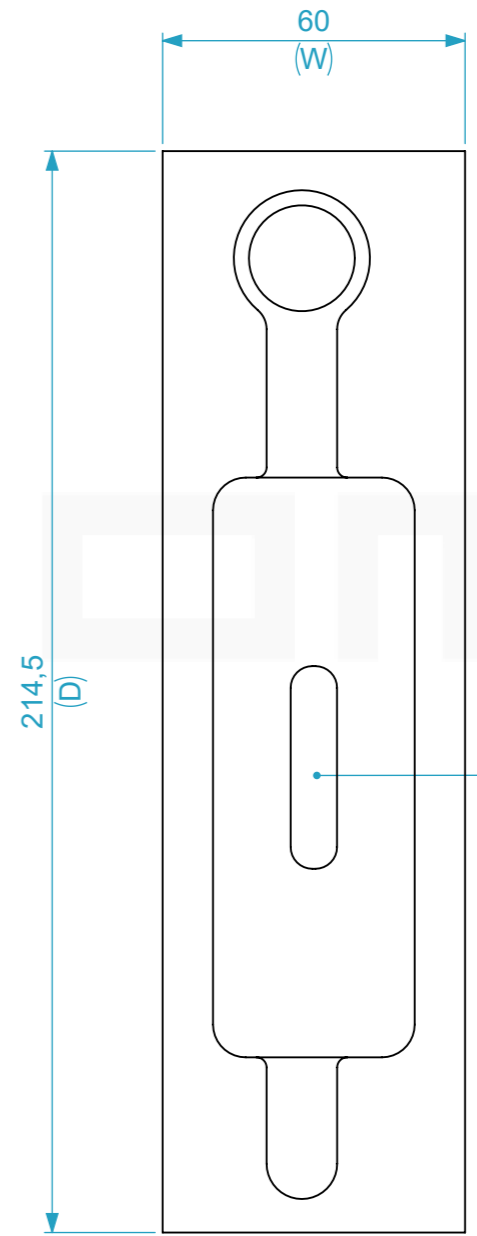
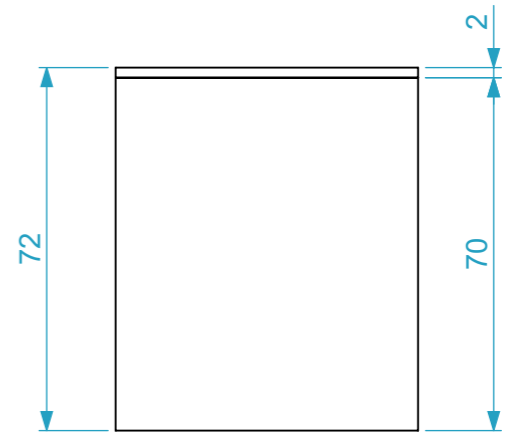


Dimensions		
Width	Depth	Height
60	214.5	72
Weight	Approx. 0.02 Kg	



High density foam for protection and packaging of electronic devices



(1x) Audix APS910 (\*)

(1x) Audix MICROD (\*)

22"x18", 2U Roadcase drawer (\*)

(\*) Devices not included

Equipment ID Label Box

General External Dimensions	
W	Width
D	Depth
H	Height

Name	alvaro.santos	
Date	18/10/2023	
Reference	FOAM2218.MICD.M82	
Scale	1:1.5	units in mm
DO NOT SCALE	general tolerance 0.8mm	
Espuma Modular 2U, 1x Audix MICROD		



This drawing must not be copied or disclosed without consent of the owner



A3