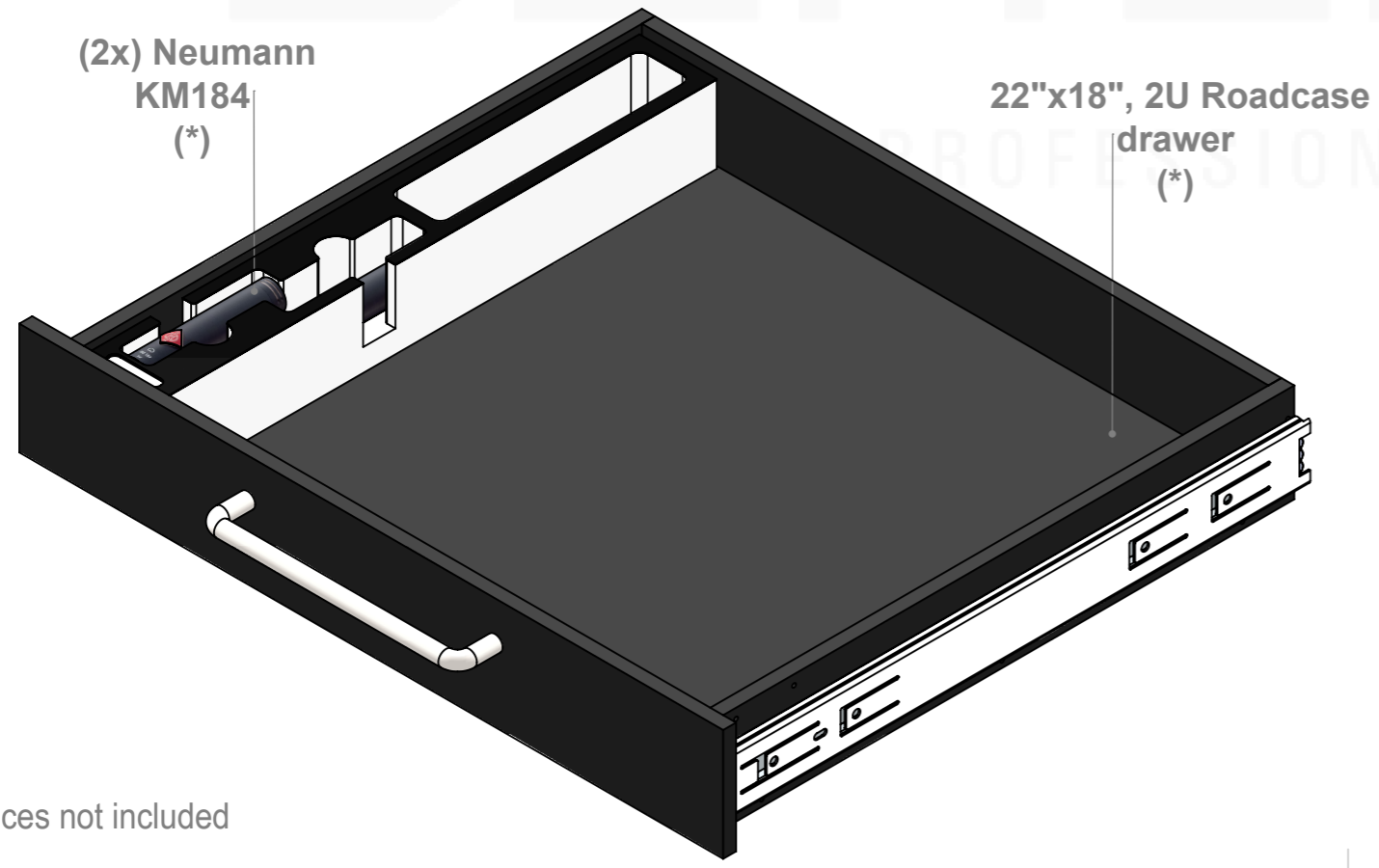
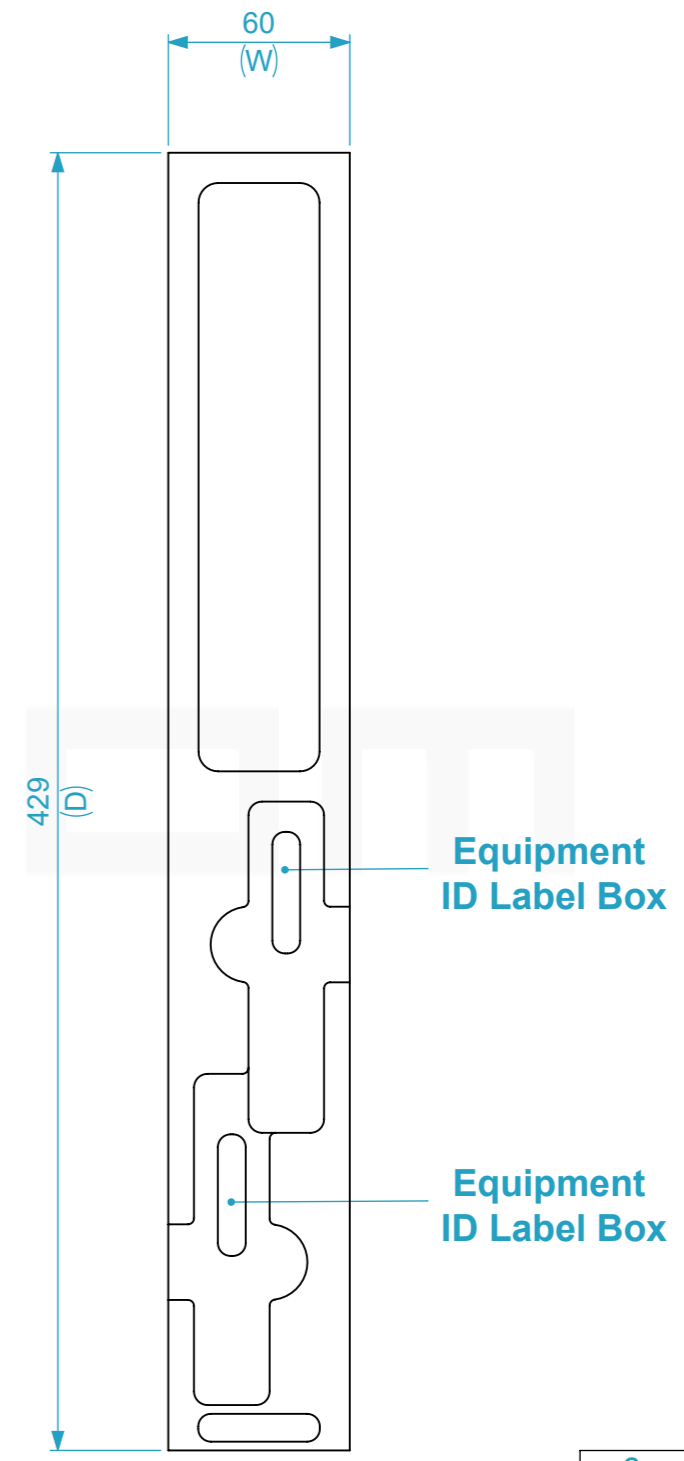
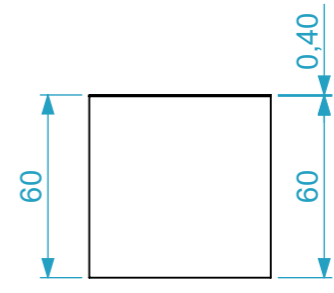
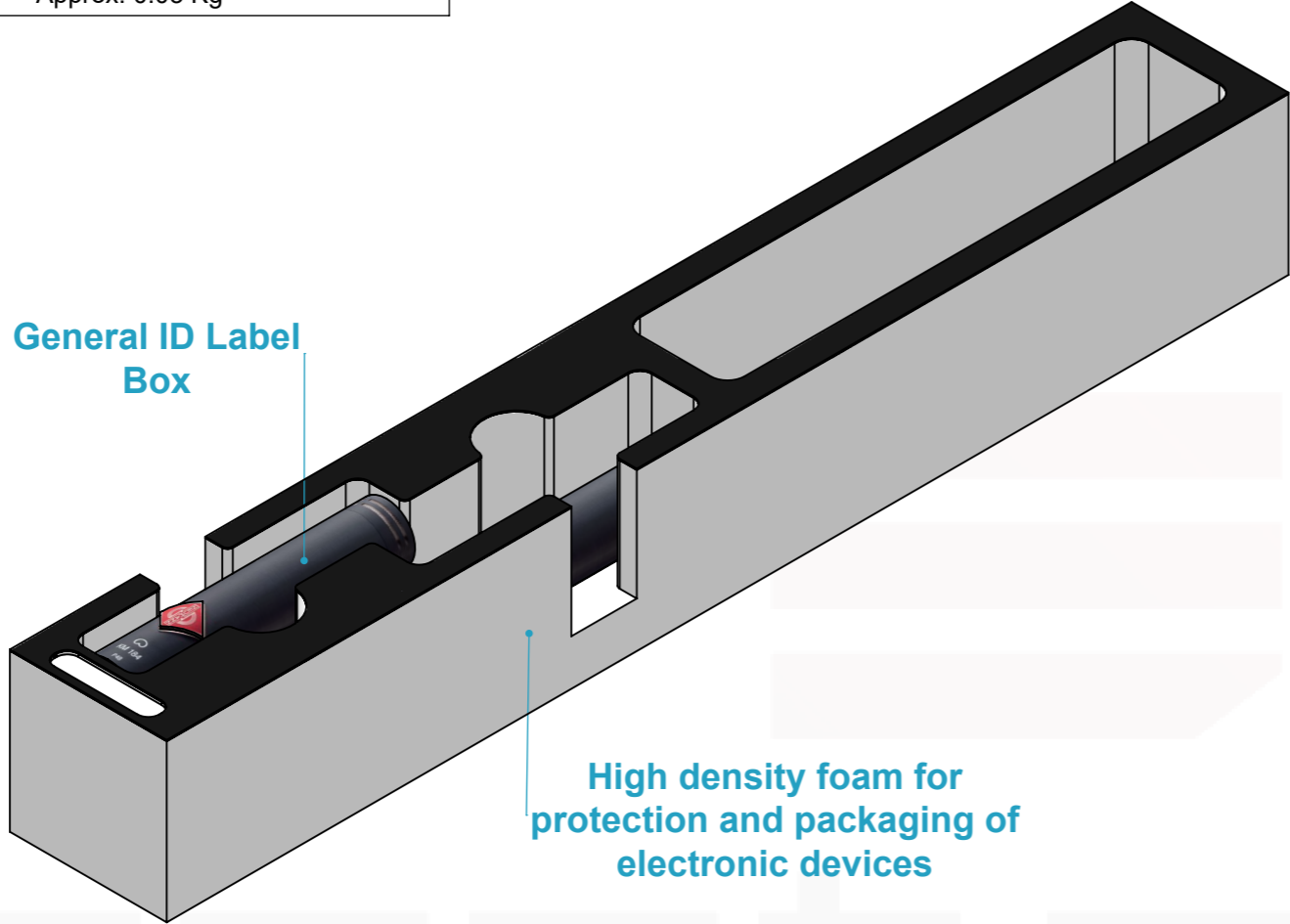


Dimensions		
Width	Depth	Height
100	429	60.4
Weight	Approx. 0.03 Kg	



General External Dimensions	
W	Width
D	Depth
H	Height

(*) Devices not included

This drawing must not be copied or disclosed without consent of the owner

Drawn by	Name	Date
alvaro.santos	alvaro.santos	14/06/2023
Reference	FOAM2218.KM184.M8	
Scale	units in mm	general tolerance
1:2.5	DO NOT SCALE	0.8mm
1st Angle projection	18" Espuma Modular 2U, 2x KM184	



A3