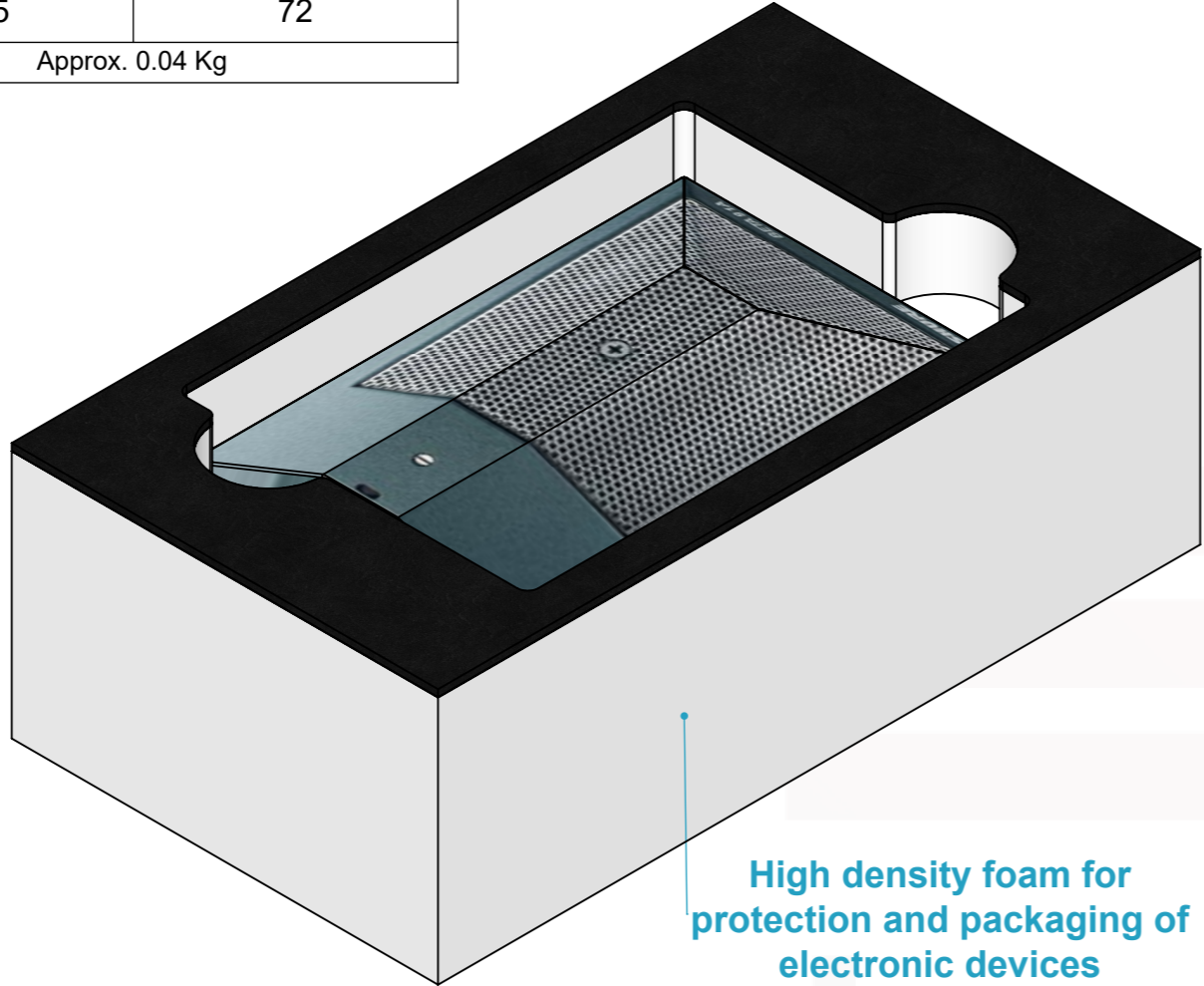
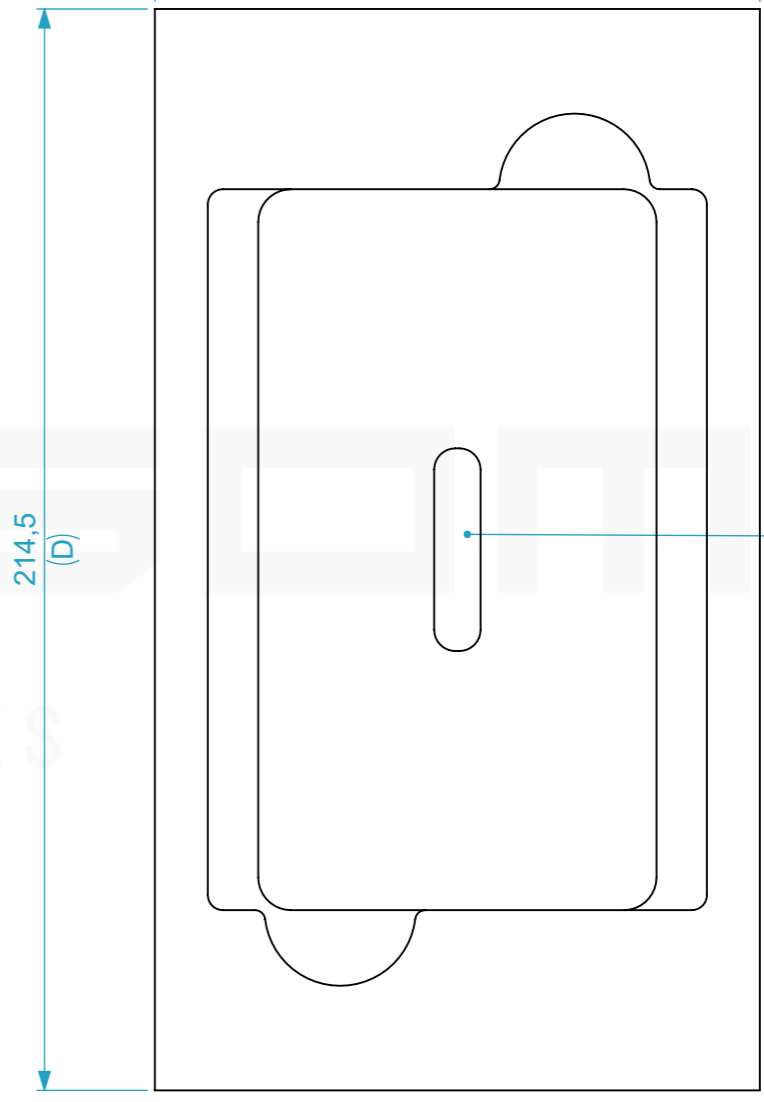
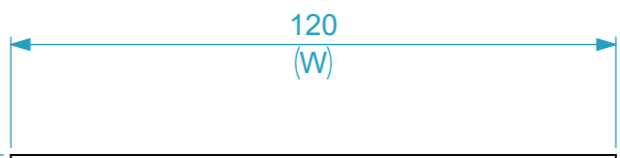
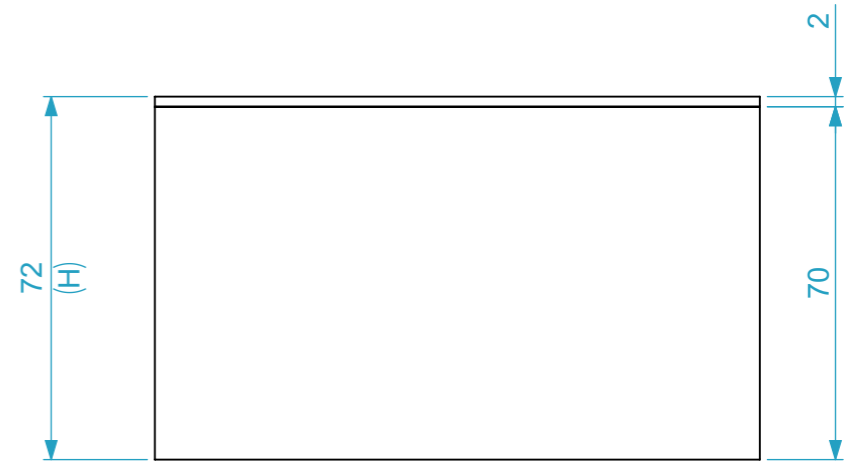


Dimensions		
Width	Depth	Height
120	214.5	72
Weight	Approx. 0.04 Kg	

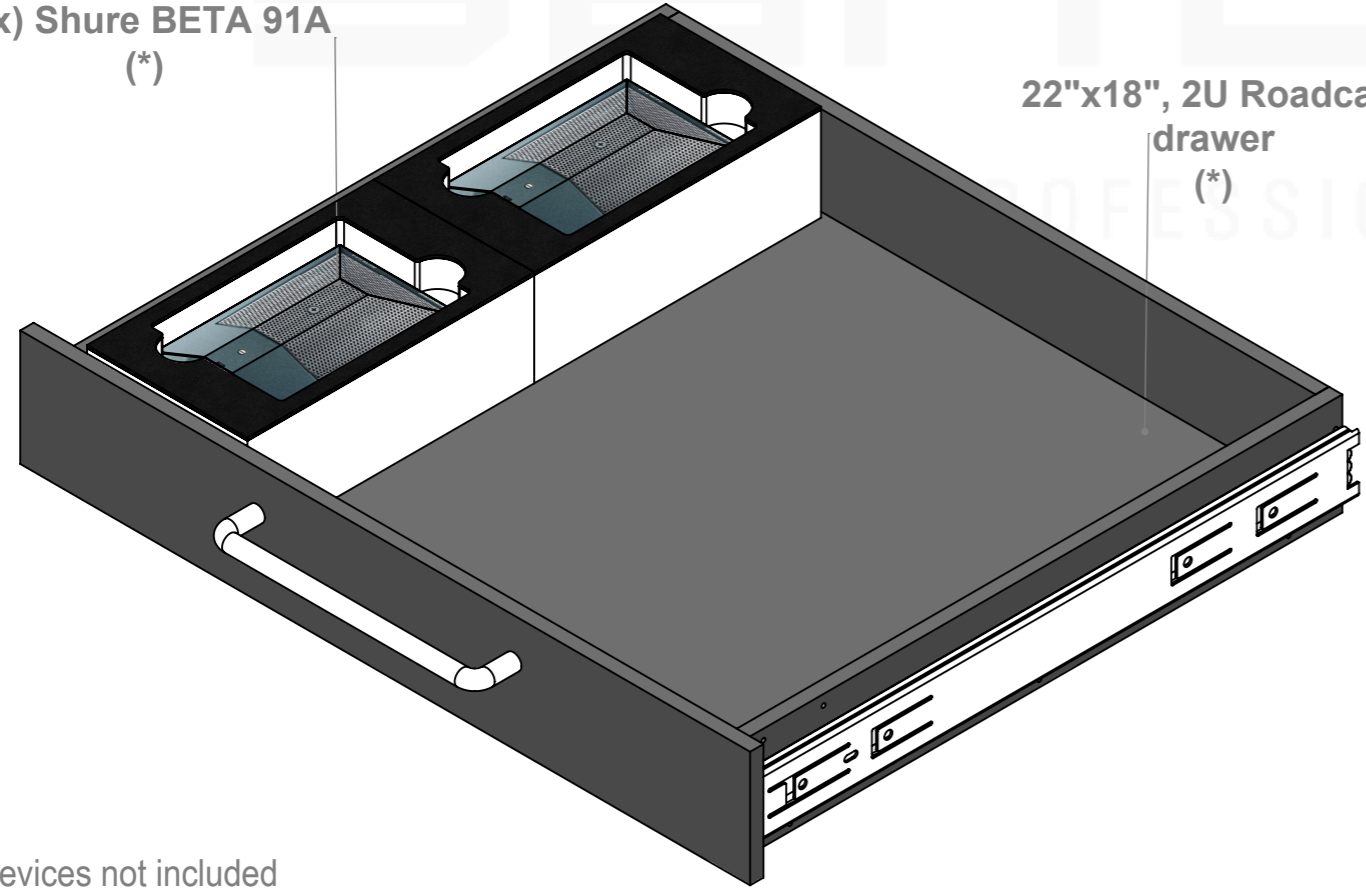


High density foam for protection and packaging of electronic devices



Equipment ID Label Box

(1x) Shure BETA 91A (*)



22"x18", 2U Roadcase drawer (*)

(*) Devices not included

General External Dimensions	
W	Width
D	Depth
H	Height

Name	alvaro.santos	Date	17/10/2023
Reference	FOAM2218.B91A.M4		
Scale	1:1.5	units in mm	general tolerance 0.8mm
DO NOT SCALE			
Espuma Modular 2U, 1x Shure Beta 91A			



This drawing must not be copied or disclosed without consent of the owner



A3