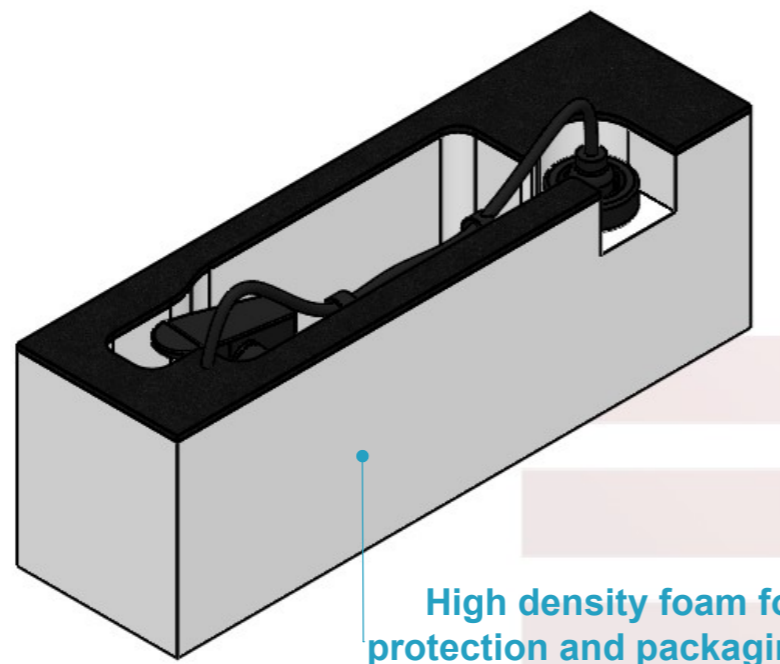
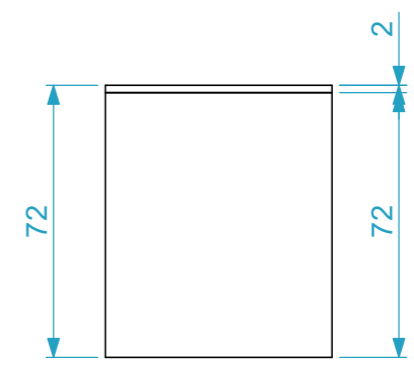


**Dimensions**

<b>Width</b>	<b>Depth</b>	<b>Height</b>
60	214.5	72
<b>Weight</b>	Approx. 0.02 Kg	

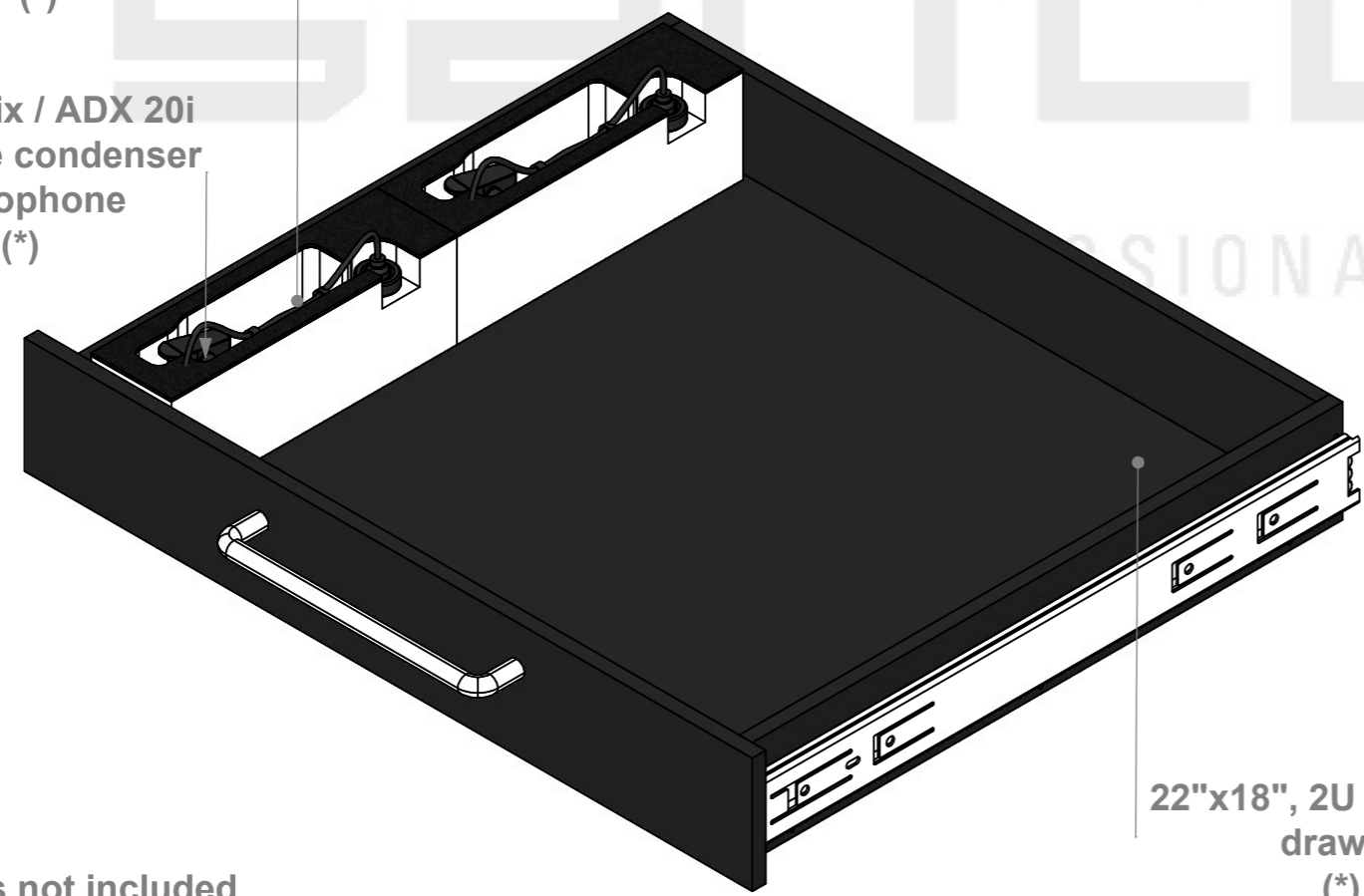


High density foam for protection and packaging of electronic devices



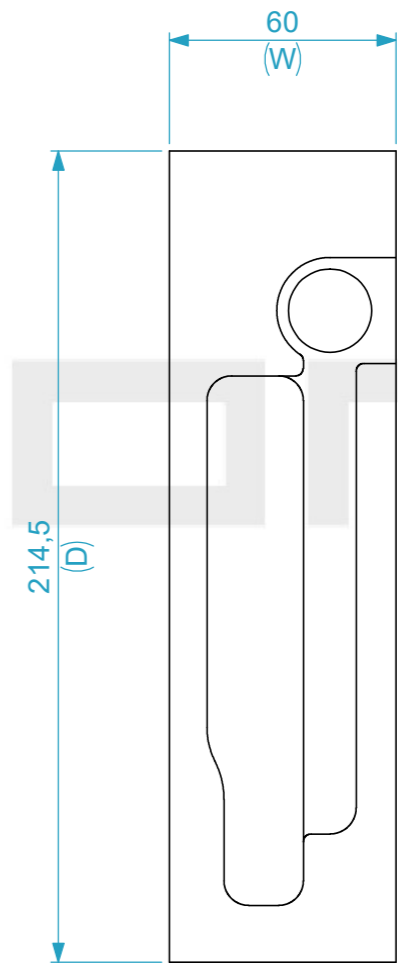
(1x) Audix / APS910 Professional phantom power adapter (\*)

(1x) Audix / ADX 20i Miniature condenser microphone (\*)



22"x18", 2U Roadcase drawer (\*)

(\*) Devices not included



General External Dimensions	
W	Width
D	Depth
H	Height

<b>Name</b>	alvaro.santos	<b>Date</b>	23/09/2024
<b>Reference</b>	FOAM2218.ADX20.M82		
<b>Scale</b>	1:2	<b>units in mm</b>	DO NOT SCALE
<b>general tolerance</b>	0.8mm		
Espuma Modular 2U, 1x Audix ADX20i			



This drawing must not be copied or disclosed without consent of the owner



A3