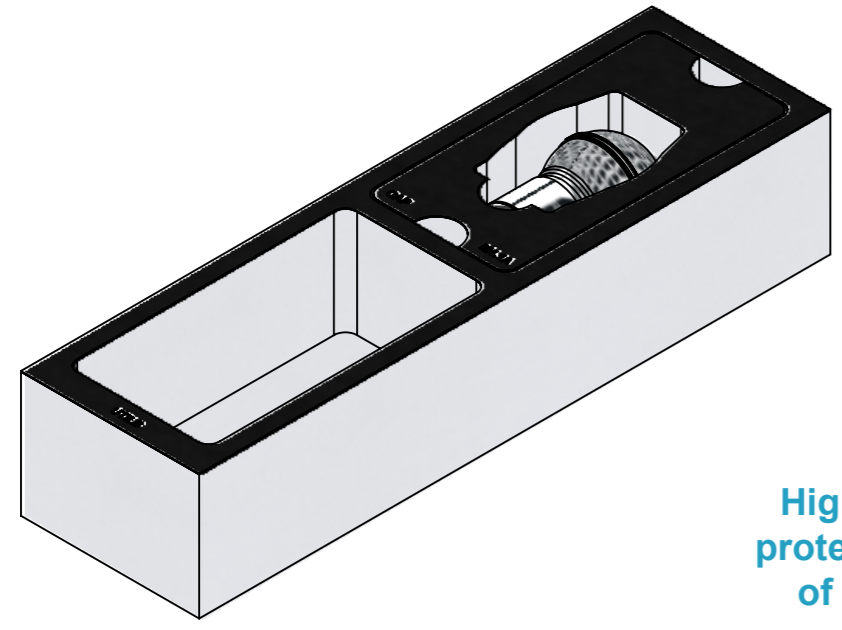


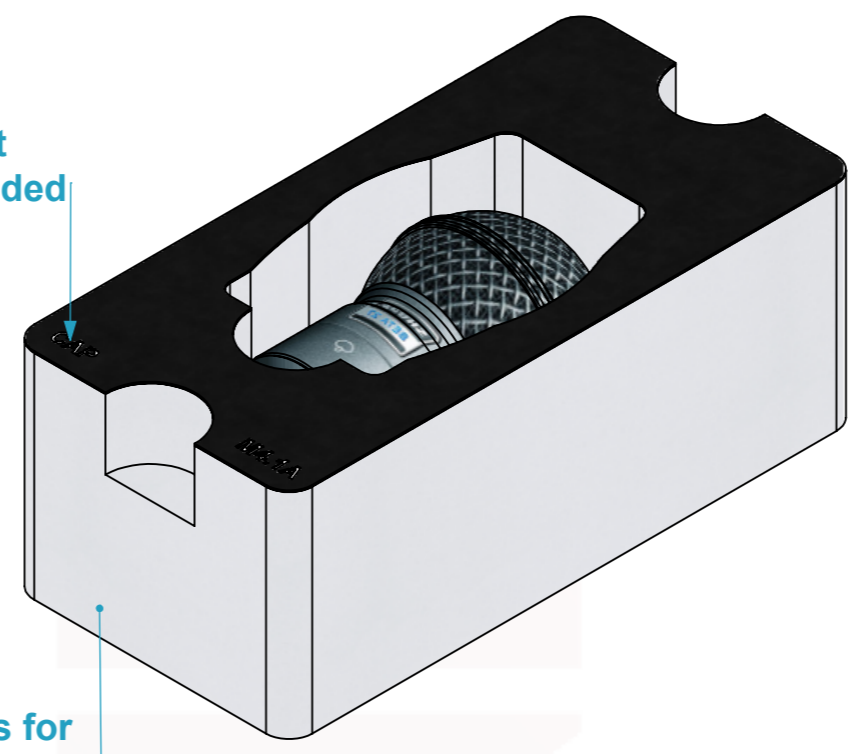
Dimensions

Width	Depth	Height
78	160	60.4
Weight	Approx. 0.09 Kg	

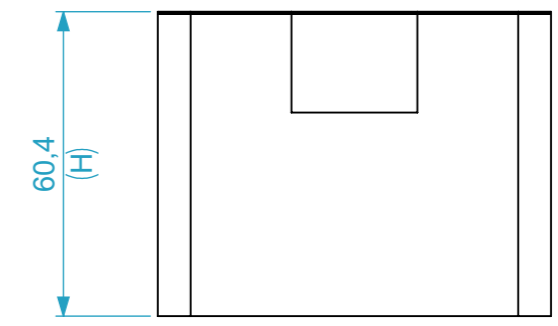
Compatible Foam
* M4.1



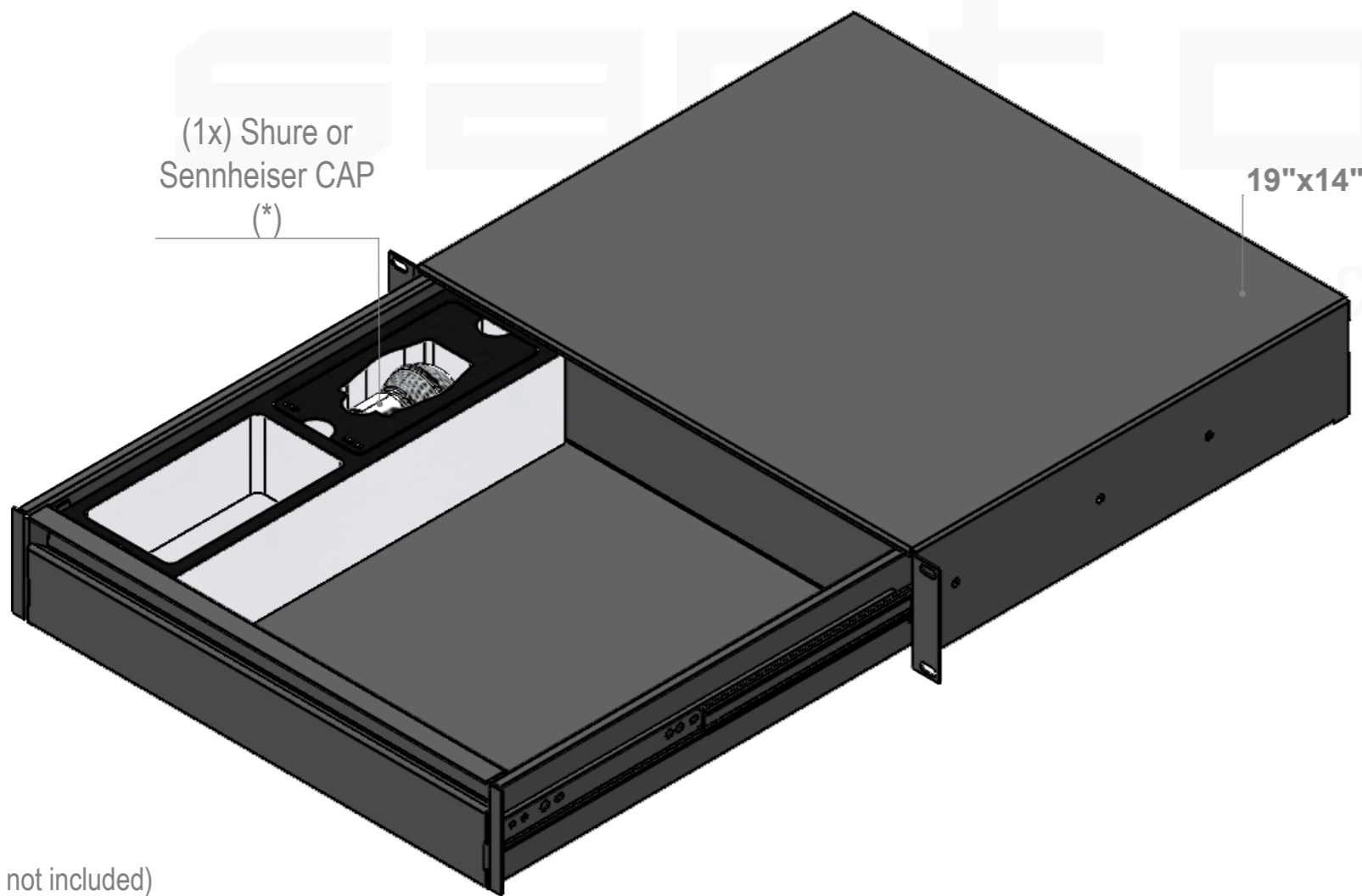
UV imprint features included



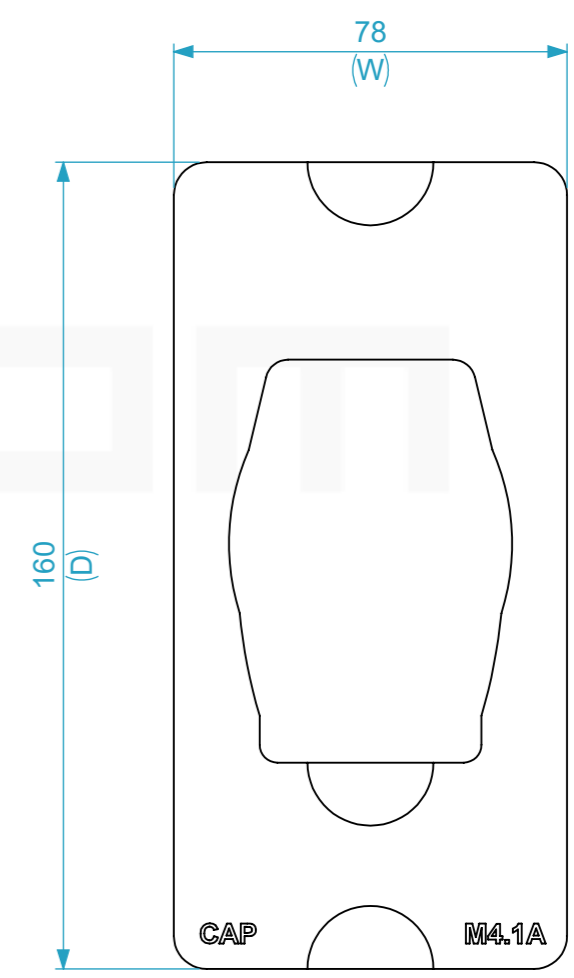
High density foams for protection and packaging of electronic devices



(1x) Shure or Sennheiser CAP (*)



19"x14" 2U Rack Drawer (*)



(*) Devices not included

Name	Date
alvaro.santos	05/04/2023
Reference	FOAM1914.M4.1A
Scale	1:1.5
units in mm	DO NOT SCALE
general tolerance	0.8mm
19" Espuma Inserto Modulo 1/4 Gaveta, 1x CAP	



This drawing must not be copied or disclosed without consent of the owner



A3