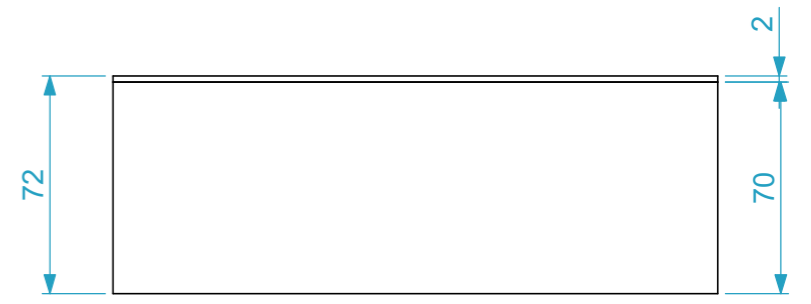
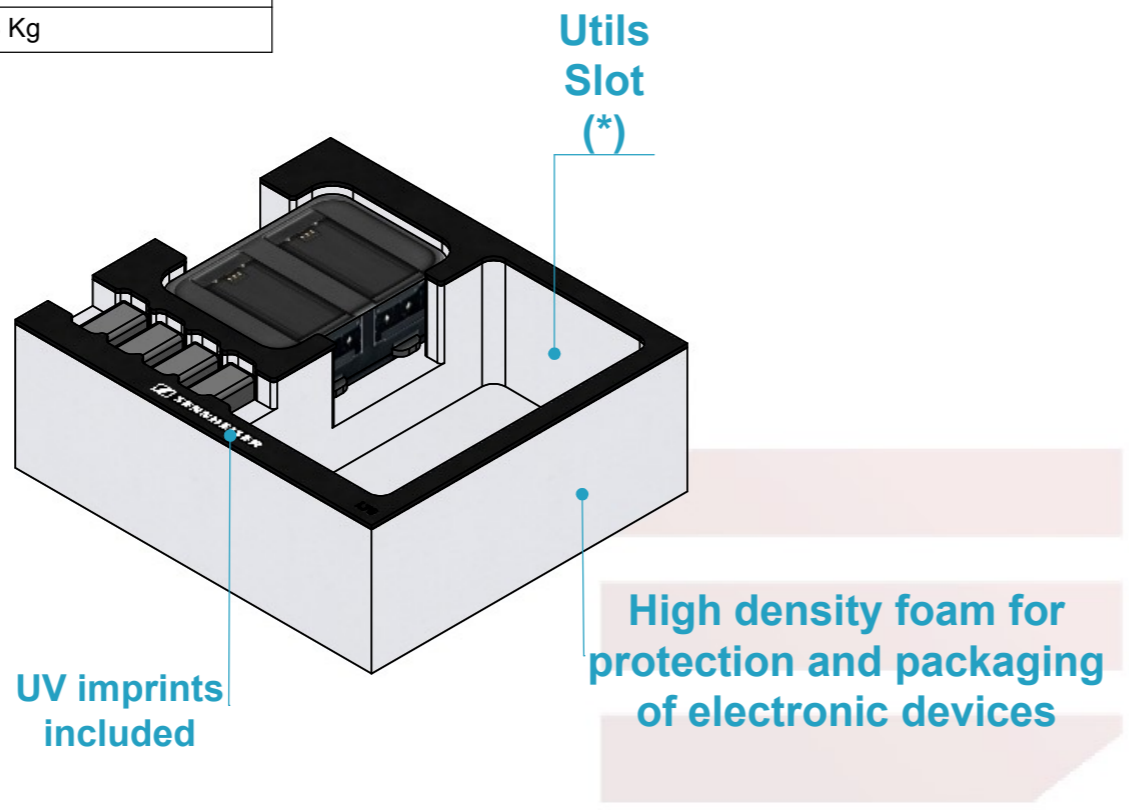


**Dimensions**

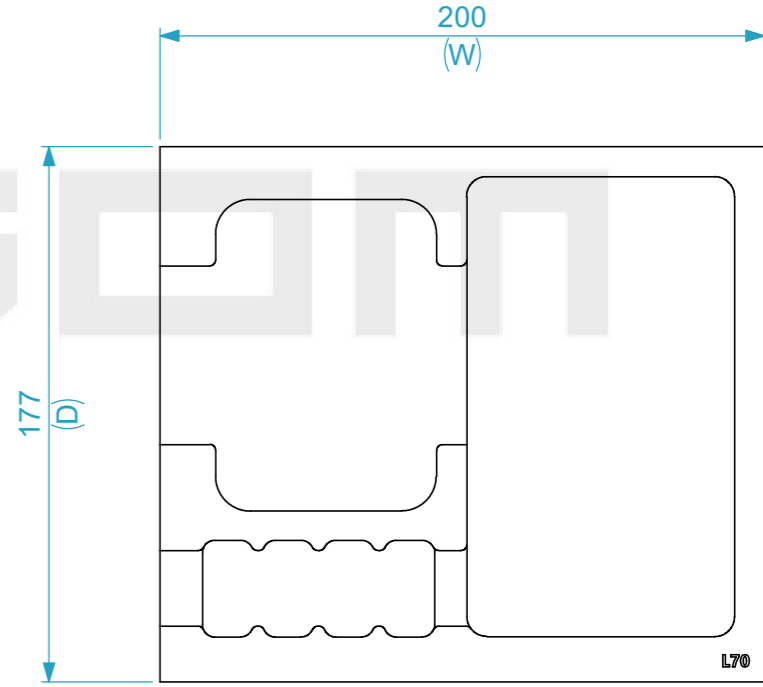
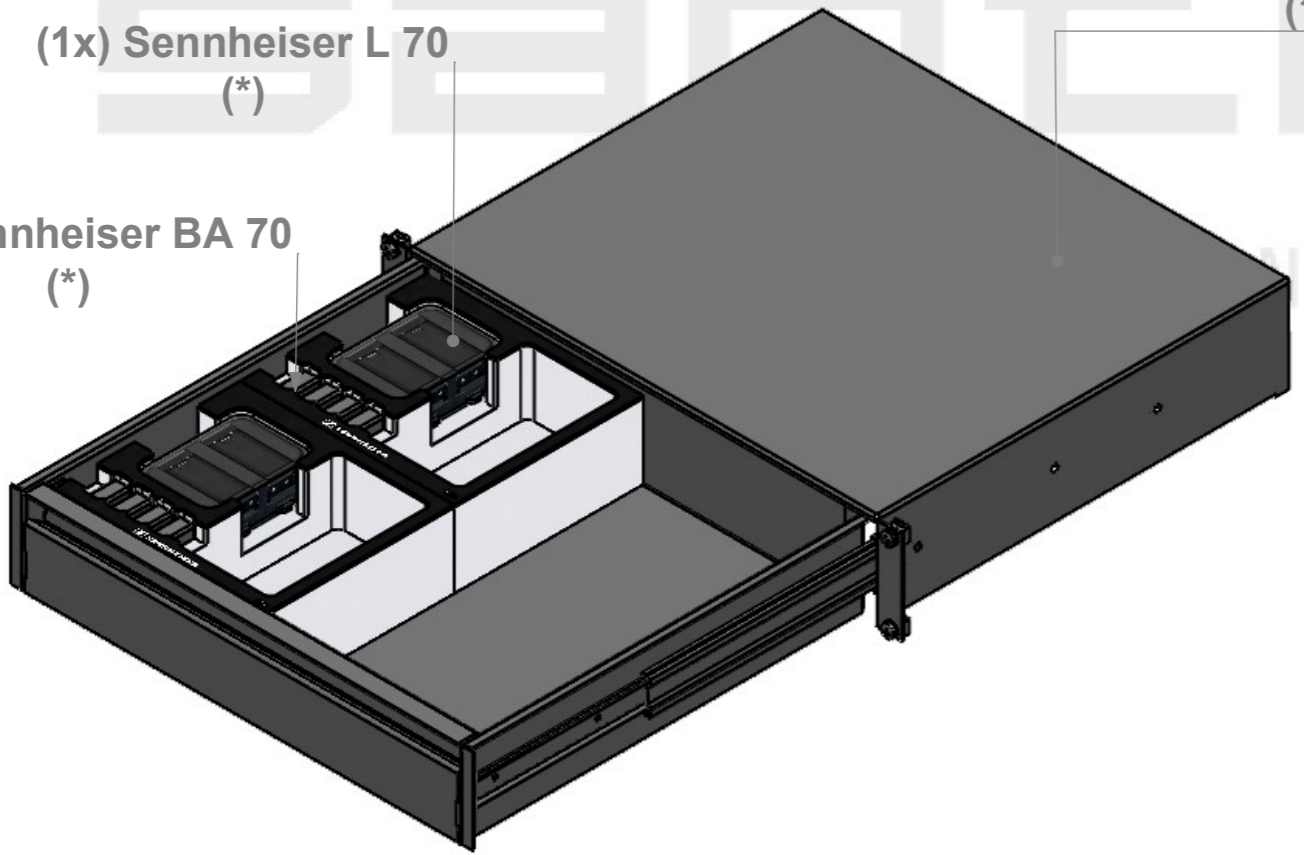
<b>Width</b>	<b>Depth</b>	<b>Height</b>
200	177	72
<b>Weight</b>	Approx. 0.03 Kg	



(1x) Sennheiser L 70 (\*)

19"x14" 2U Rack Drawer (\*)

(4x) Sennheiser BA 70 (\*)



\* Devices not included

General External Dimensions	
W	Width
D	Depth
H	Height

<b>Name</b>	alvaro.santos	<b>Date</b>	17/11/2025
<b>Reference</b>	FOAM1914.L70.M22		
<b>Scale</b>	1:2.5	<b>units in mm</b>	DO NOT SCALE
<b>general tolerance</b>	0.8mm		
Espuma Modular 2U, Sennheiser 1x L70 + Acces.			



This drawing must not be copied or disclosed without consent of the owner



A3