

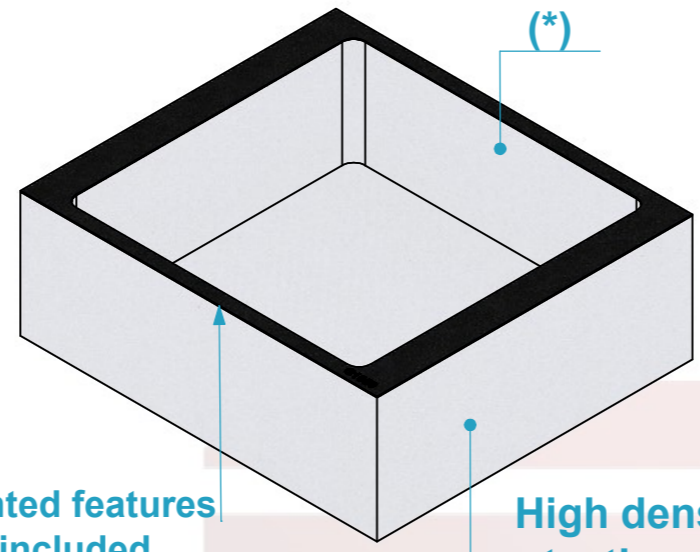
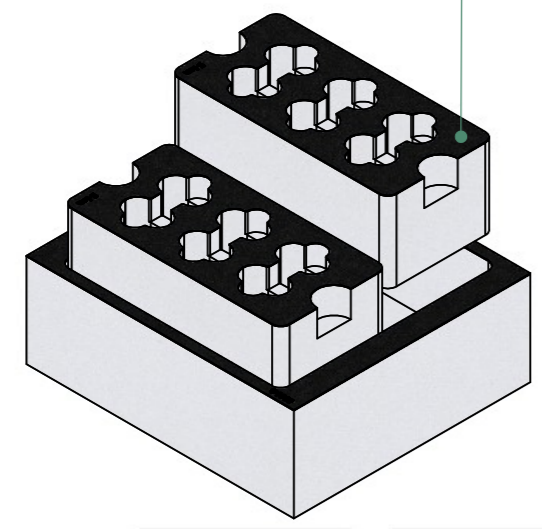
Dimensions

Width	Depth	Height
200	177	70.4
Weight	Approx. 0.06 Kg	

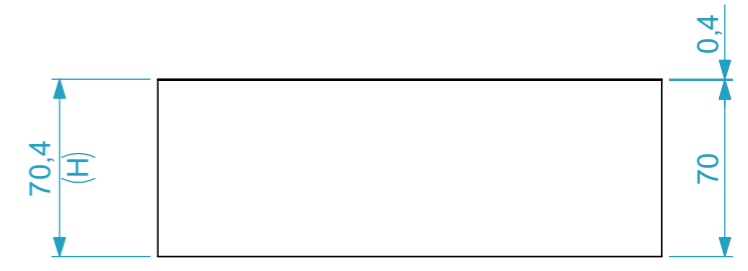
Compatible foams

- * M02
- * M22
- * M42
- * G815
- * G8166

**(2x) FOAMG8166
Foam Insert,
(*)**

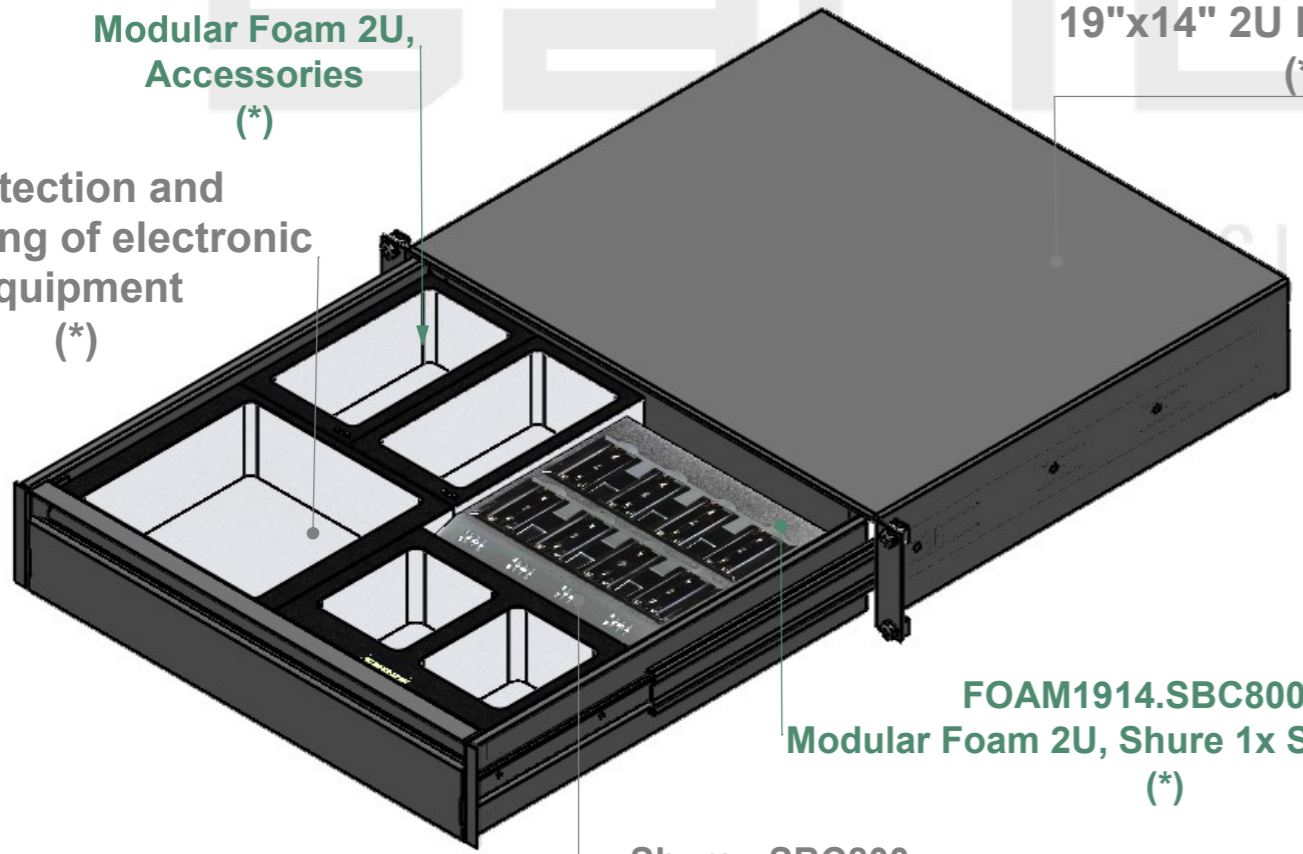


High density foam for protection and packaging of electronic devices



**FOAM1914.G815.M42
Modular Foam 2U,
Accessories
(*)**

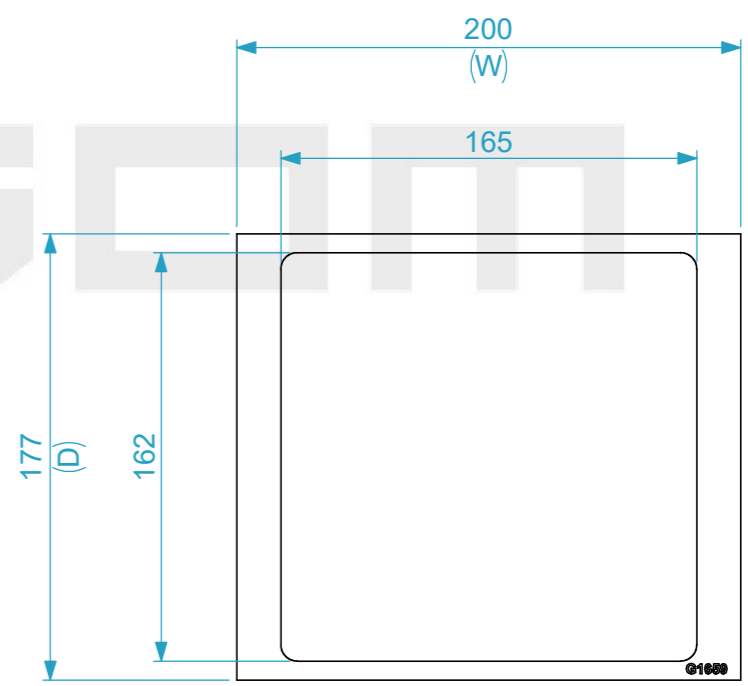
**Protection and packaging of electronic equipment
(*)**



**19"x14" 2U Rack Drawer
(*)**

**FOAM1914.SBC800.M2
Modular Foam 2U, Shure 1x Shure SBC800
(*)**

**Shure - SBC800
8-Up Battery Charger
(*)**



(*) Devices not included

(*) Related Items, not included

General External Dimensions	
W	Width
D	Depth
H	Height

Name	alvaro.santos	
Date	08/02/2024	
Reference	FOAM1914.G1659.M22	
Scale	1:3	units in mm
DO NOT SCALE		general tolerance 0.8mm
Espuma Modular 2U Acessórios (165x162x60)		



This drawing must not be copied or disclosed without consent of the owner



A3