

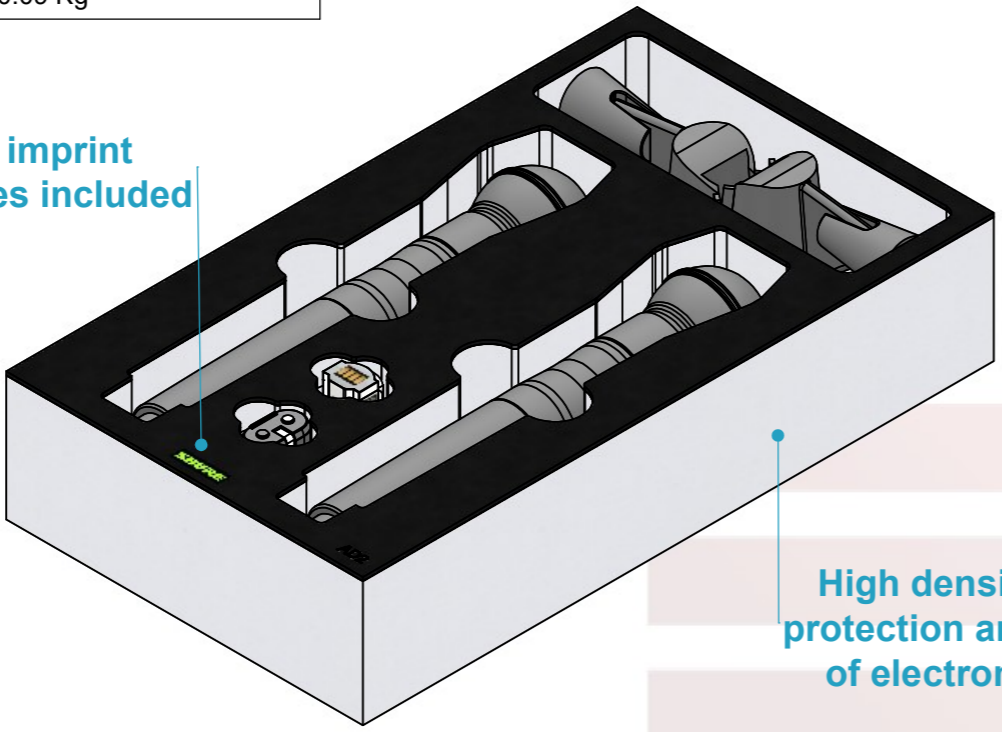
Dimensions

| Width | Depth | Height |
|--------|-----------------|--------|
| 200 | 354 | 72 |
| Weight | Approx. 0.09 Kg | |

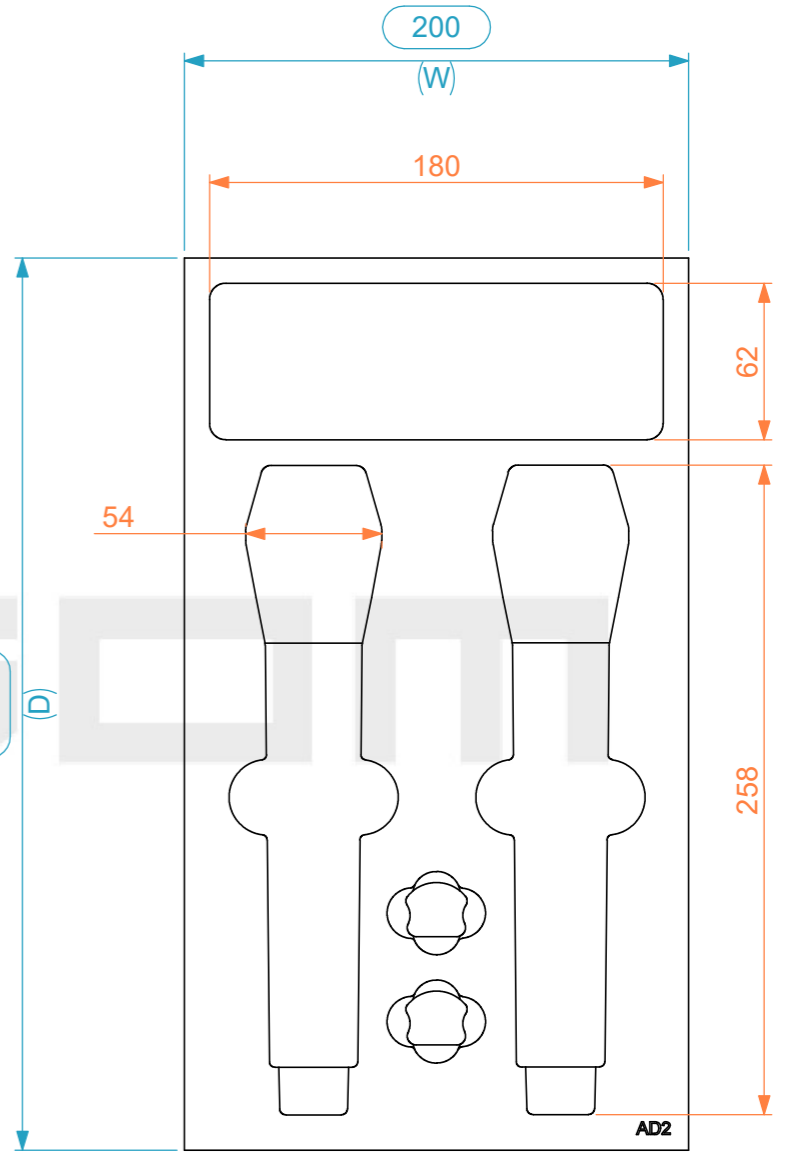
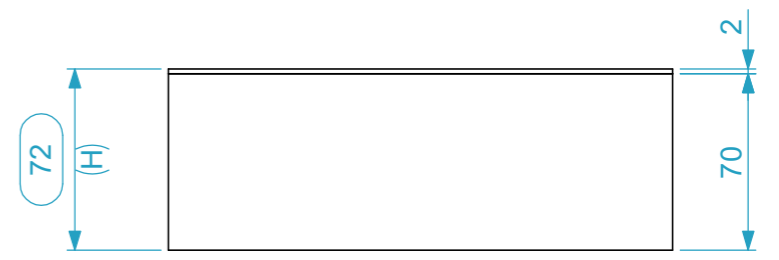
Compatible foams

- * M2
- * M4
- * M4V
- * FOAMG

UV imprint features included



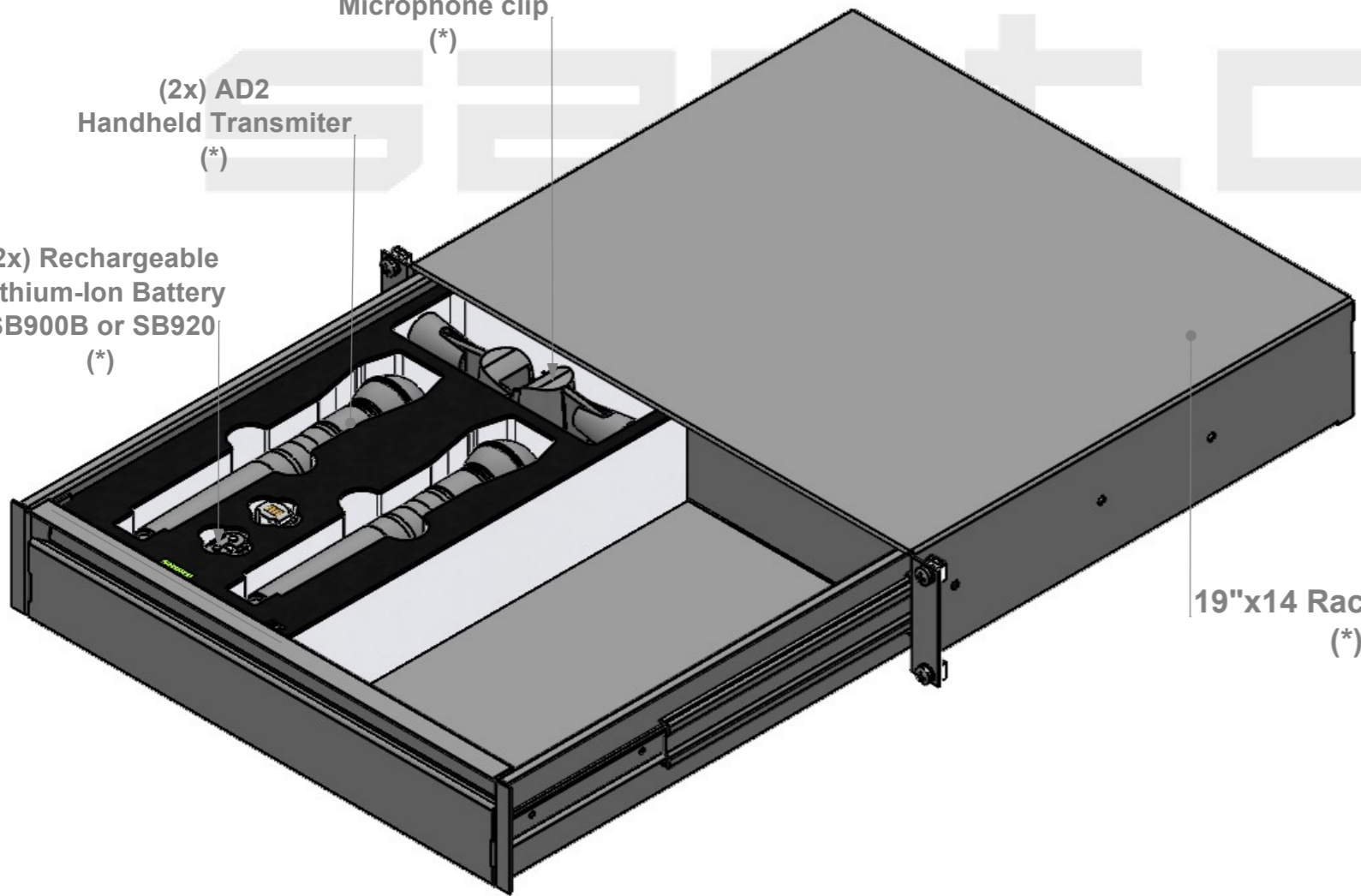
High density foam for protection and packaging of electronic devices



(2x) WA371 Microphone clip (*)

(2x) AD2 Handheld Transmitter (*)

(2x) Rechargeable Lithium-Ion Battery SB900B or SB920 (*)



19"x14 Rack Drawer (*)

| General External Dimensions | |
|-----------------------------|---------------|
| W | Width |
| D | Depth |
| H | Height |
| Usable Inner Dimensions | |
| Wi | Inside Width |
| Di | Inside Depth |
| Hi | Inside Height |

(*) Devices not included

| | | |
|--|-------------------------|-------------|
| Name | alvaro.santos | |
| Date | 02/04/2026 | |
| Reference | FOAM1914.AD2.M2 | |
| Scale | 1:3 | units in mm |
| DO NOT SCALE | general tolerance 0.8mm | |
| Espuma Modular 2U, 2x Shure AD2 + Acces. | | |



This drawing must not be copied or disclosed without consent of the owner



A3