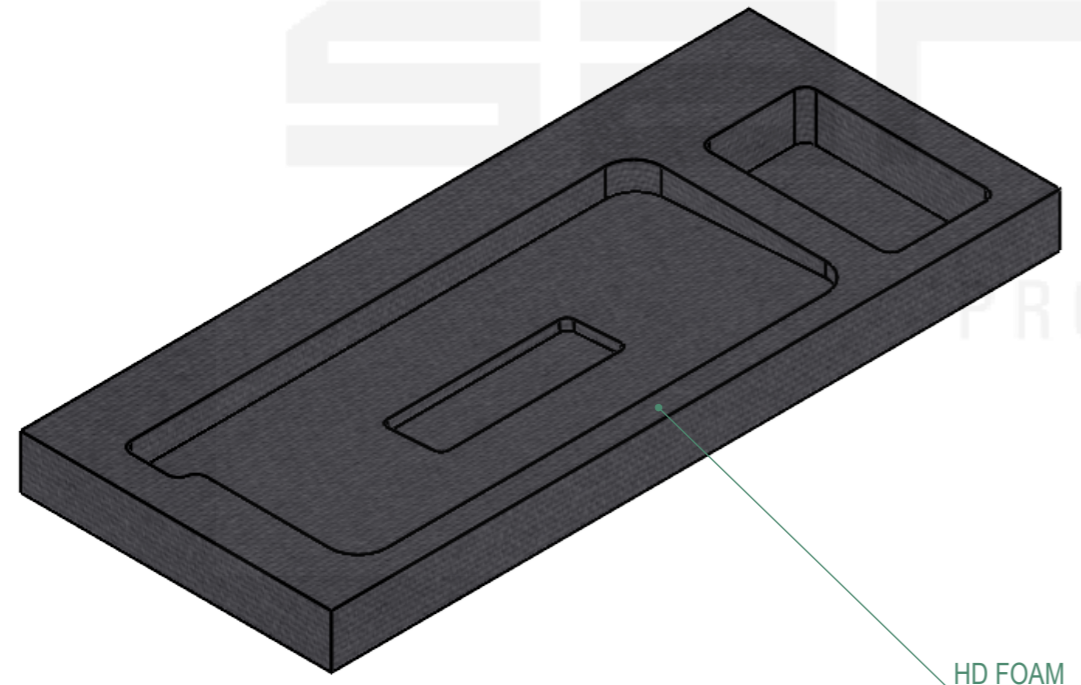
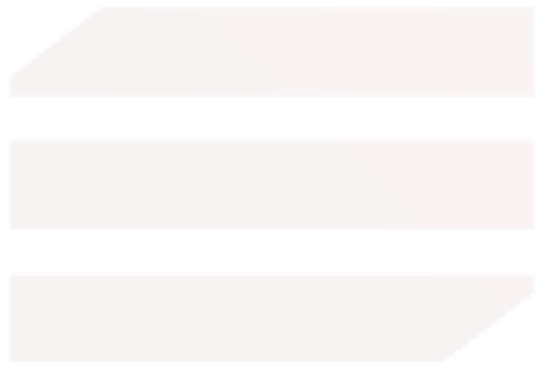
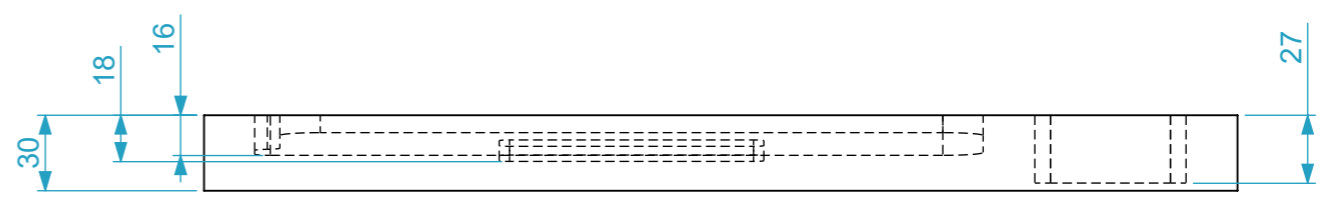
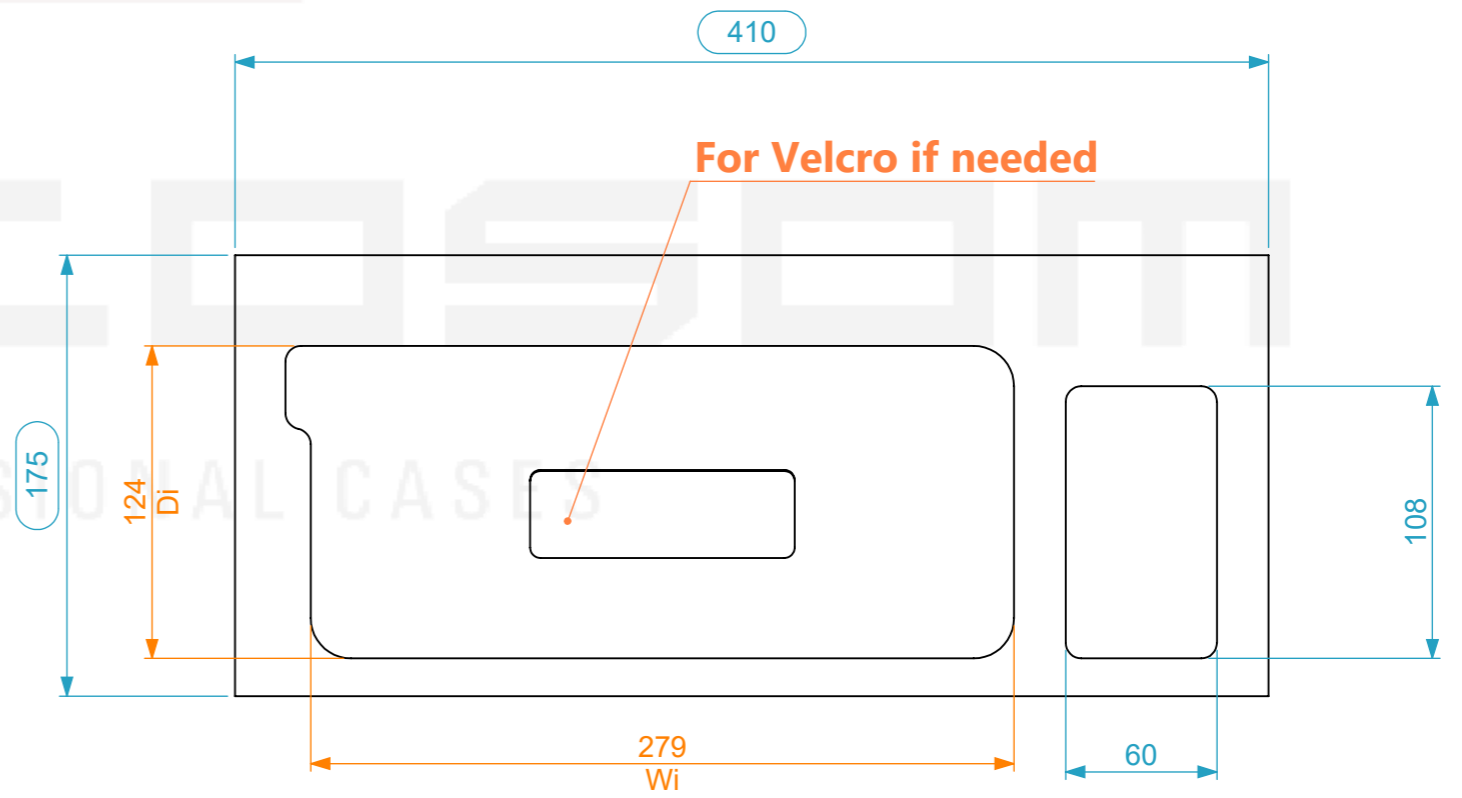


Weight	Approx. 0.05 Kg
Wall Thickness	30mm



HD FOAM



General External Dimensions		Usable Inner Dimensions	
W	Width	Wi	Inside Width
D	Depth	Di	Inside Depth
H	Height	Hi	Inside Height

Drawn by	Name	Date
paula.almeida	FOAM1908.KEY4	26/05/2026
Reference	Scale	
	1:3	units in mm
		DO NOT SCALE
		general tolerance 0.8mm
	Espuma de gaveta p/ Teclado + Rato (INF.TR2USA)	



A3 This drawing must not be copied or disclosed without consent of the owner

