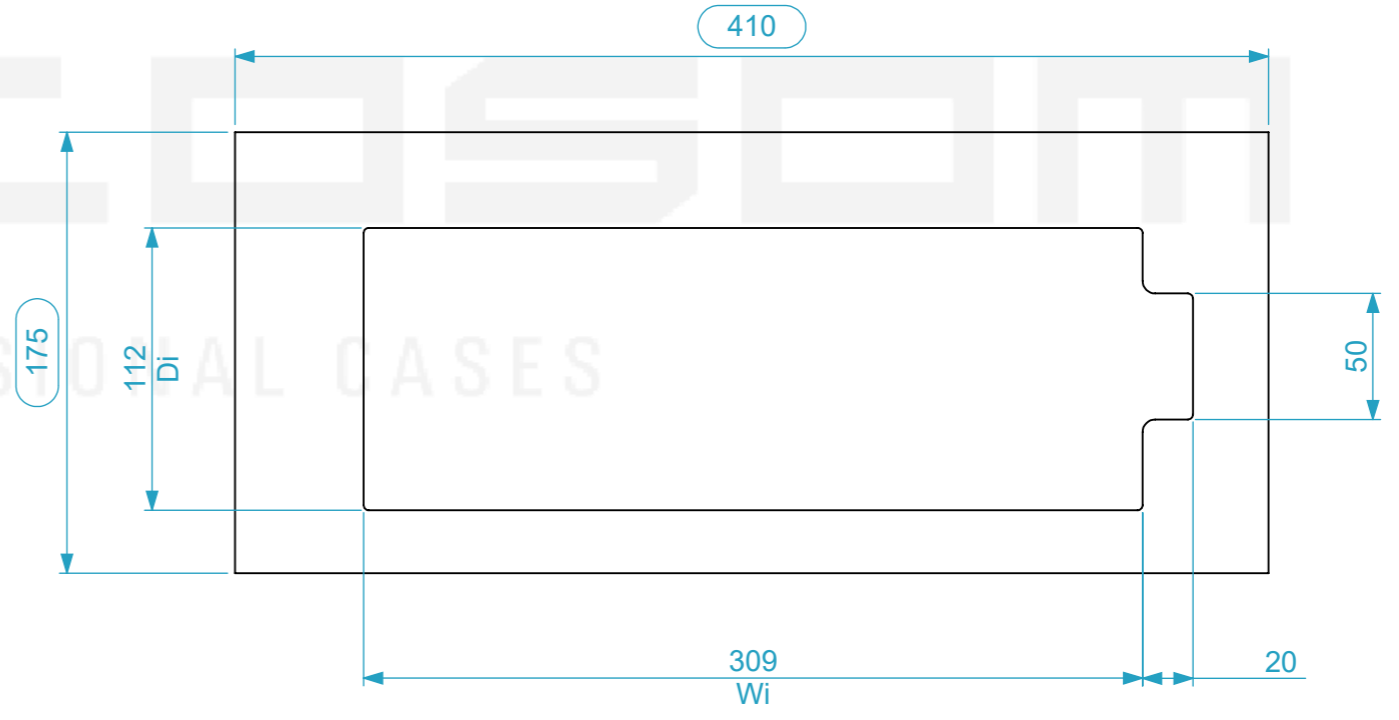
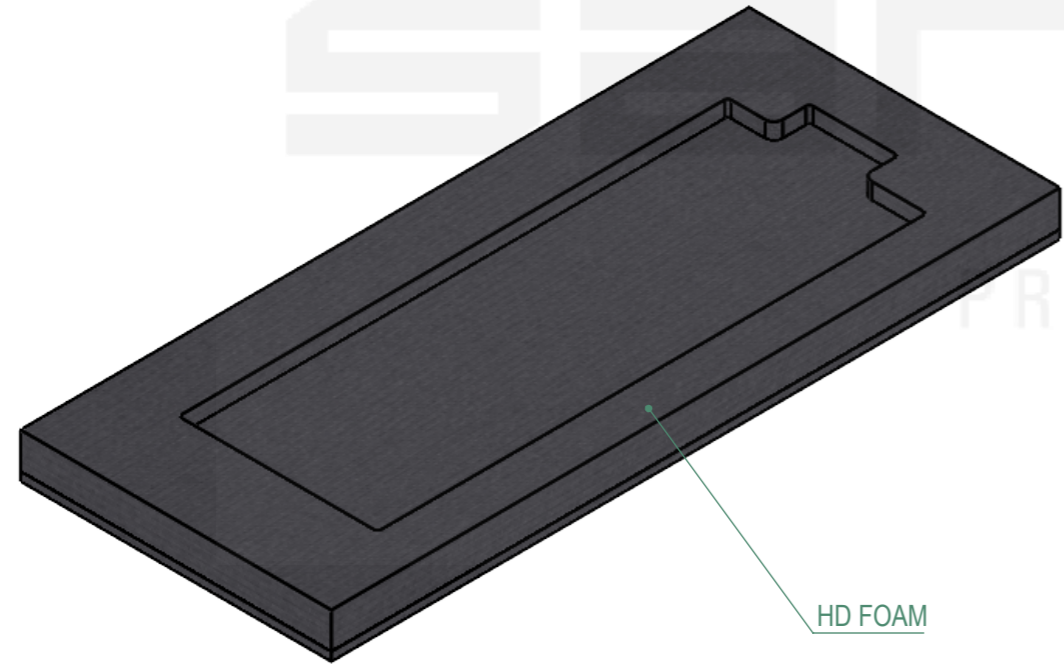
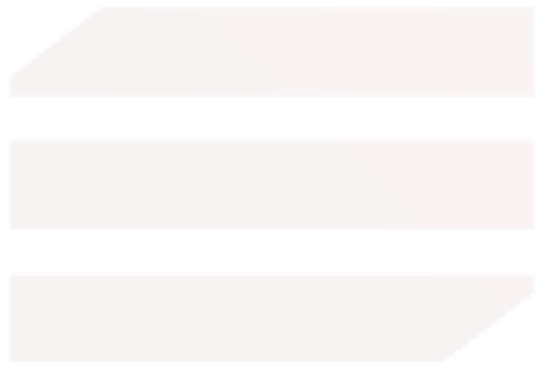
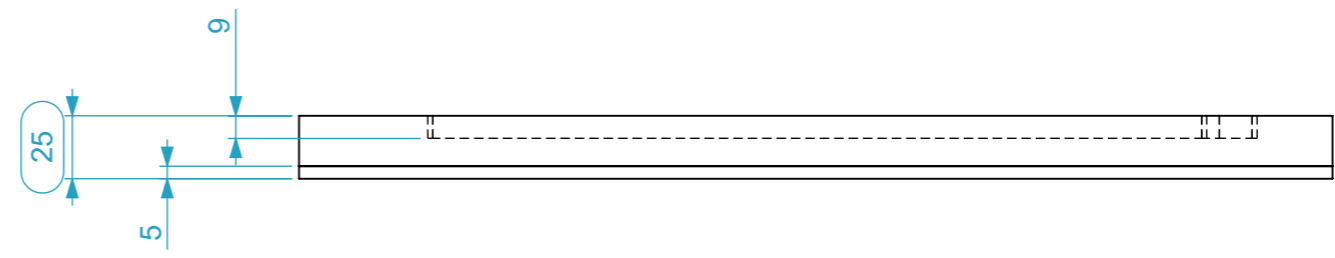


Weight	Approx. 0 Kg
Wall Thickness	25mm



General External Dimensions		Usable Inner Dimensions	
W	Width	Wi	Inside Width
D	Depth	Di	Inside Depth
H	Height	Hi	Inside Height

Name	Date
Drawn by paula.almeida	01/06/2026
Reference	FOAM1908.KEY3
Scale	1:3
units in mm	general tolerance 0.8mm
DO NOT SCALE	
Espuma de gaveta p/ Teclado (INF.MC900)	



A3 This drawing must not be copied or disclosed without consent of the owner

