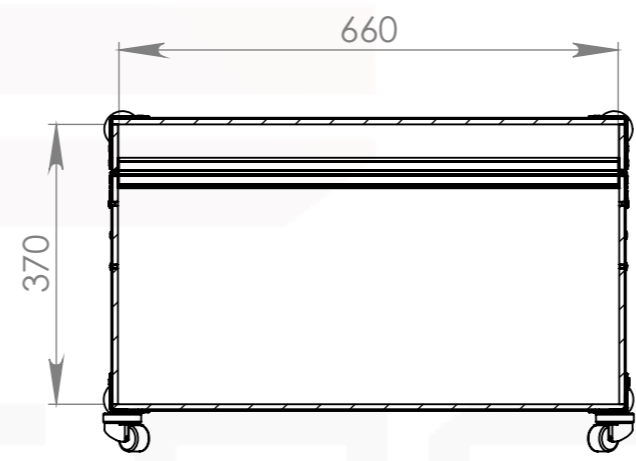
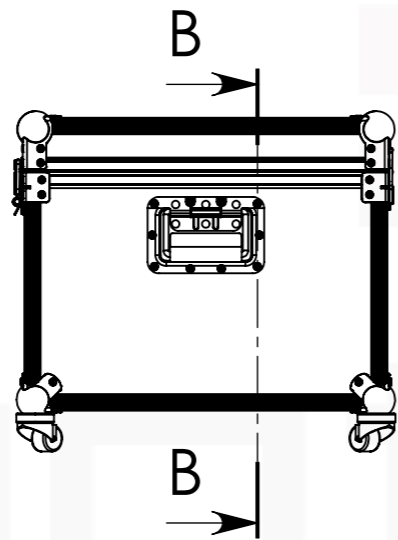
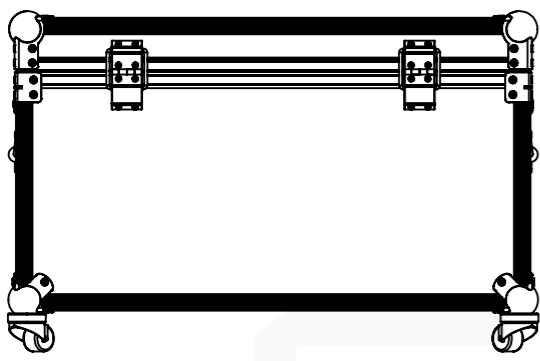
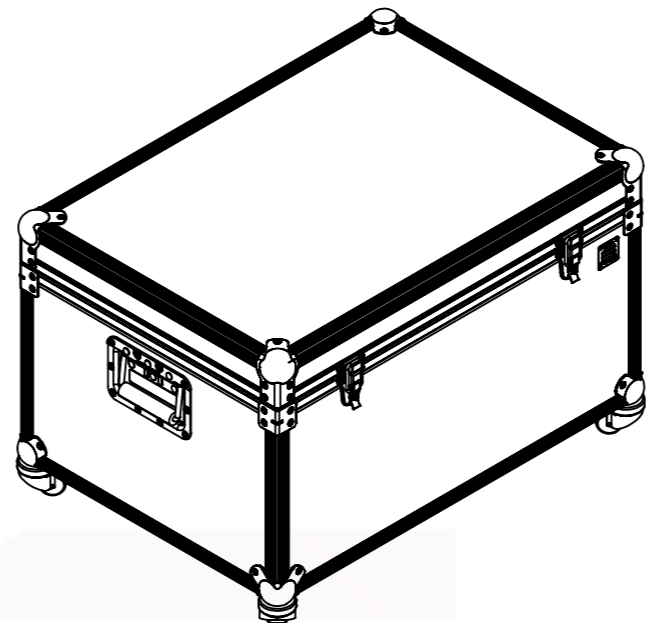
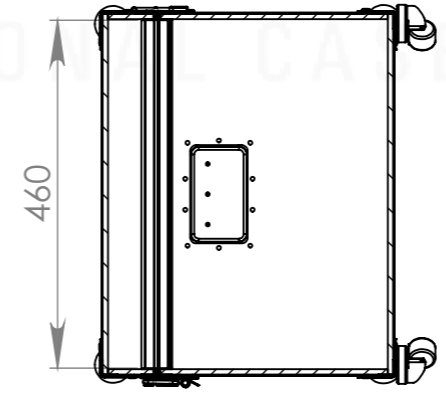
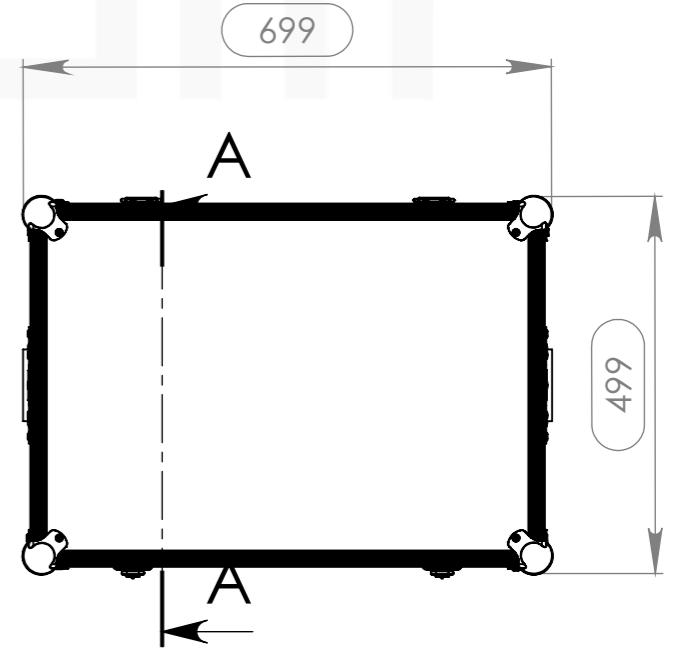
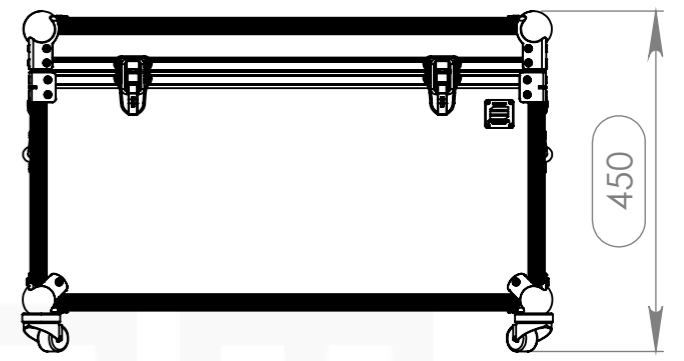


Interior dimensions

Width	Depth	Height
660	460	370
Weight	Approx. 8 Kg	
Wall Thickness		7mm



SECTION B-B



SECTION A-A

Hardware	
Qty	Description
4	COMBINED BALL CORNER AND BRACE 68MM HIGH
4	Corner castor 35 mm on ball corner
4	Large corner bracket f. 35mm case angle
2	Recessed sprung handle medium model
2	Heavy Duty Strut Hinge
1	Identification Plate

This drawing must not be copied or disclosed without consent of the owner

Drawn by	Name	Date
projects		10/02/2017
Reference	FLW2.0700	
Scale	units in mm	general tolerance
1:10	DO NOT SCALE	0.8mm
1st Angle projection	MALÃO LIGHTWEIGHT LW700, RODAS	

