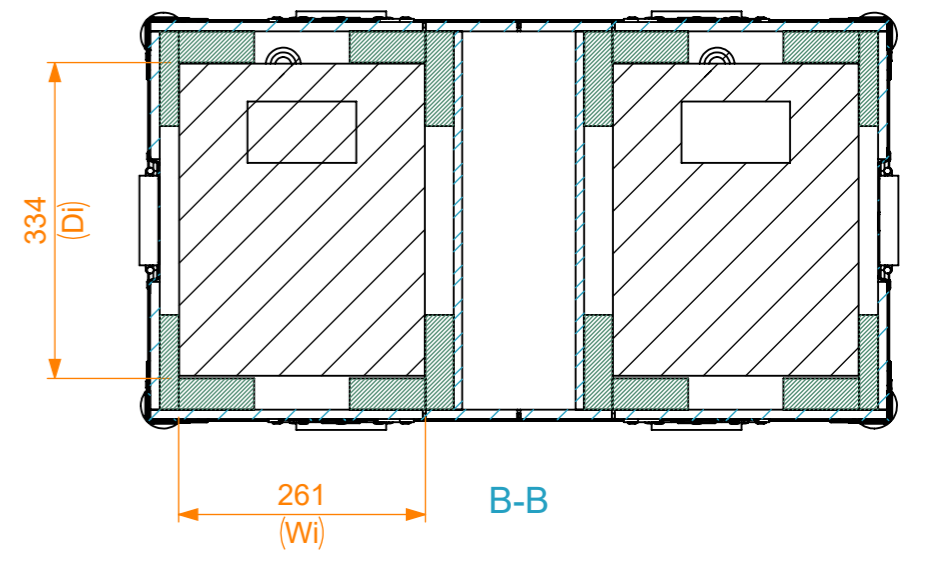
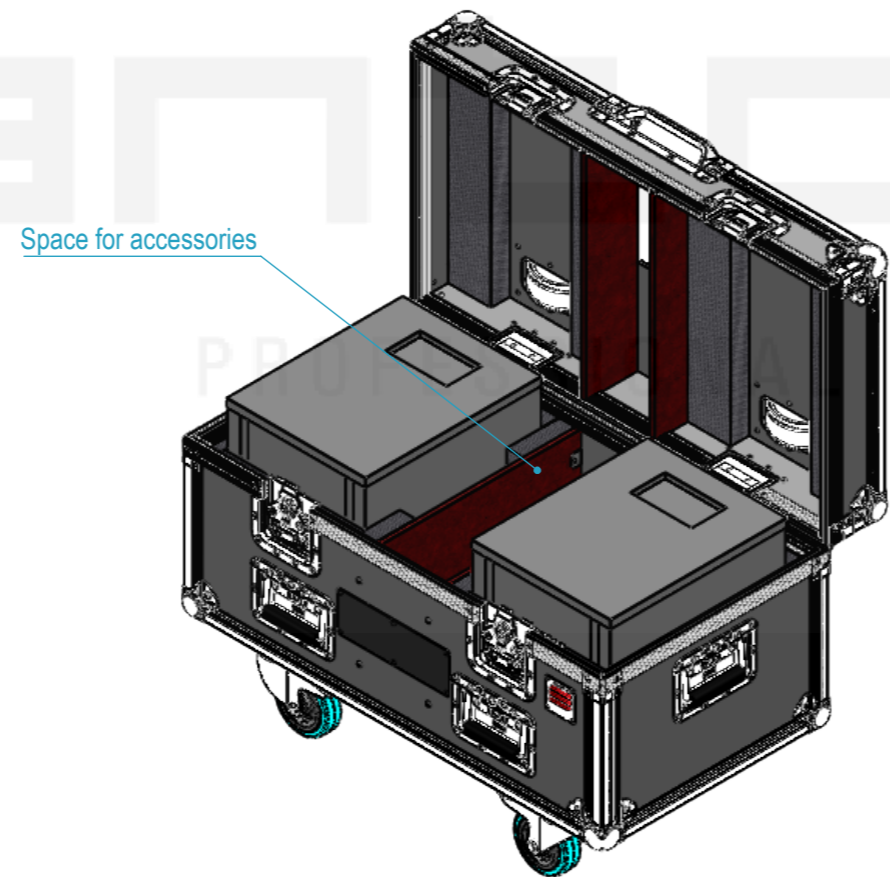
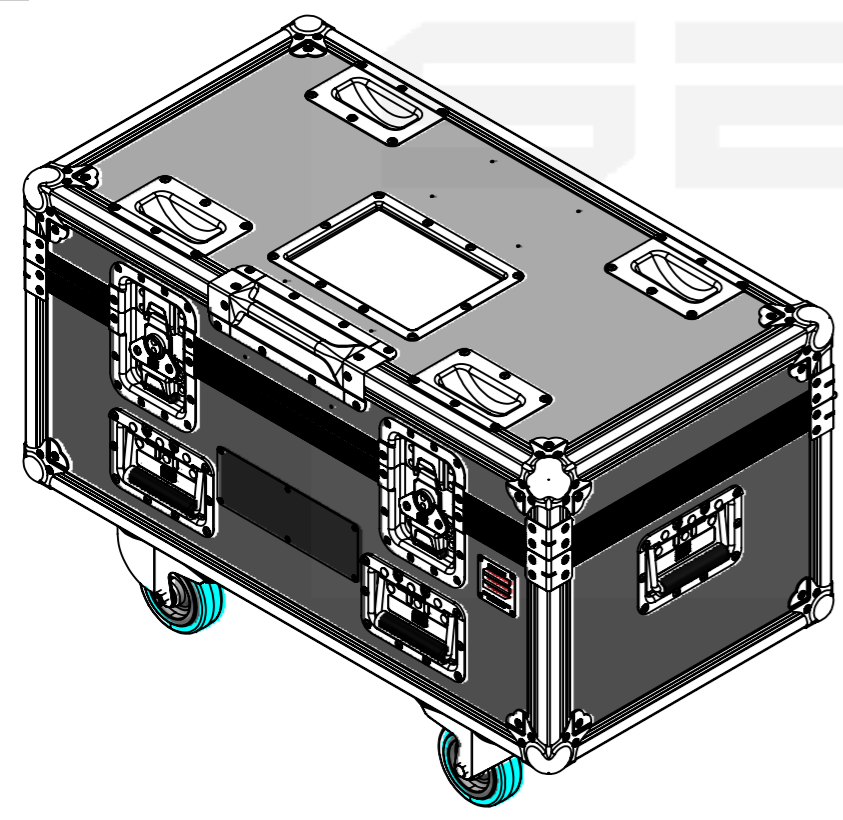
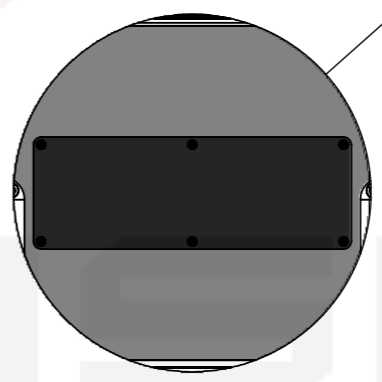
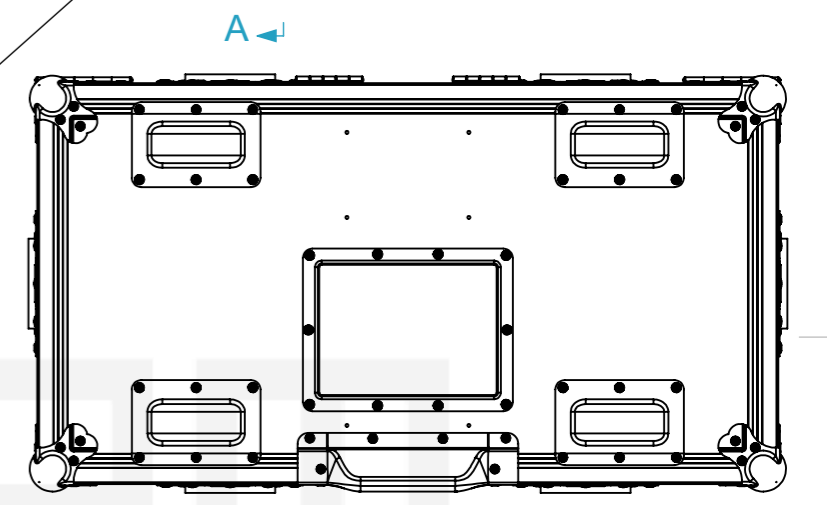
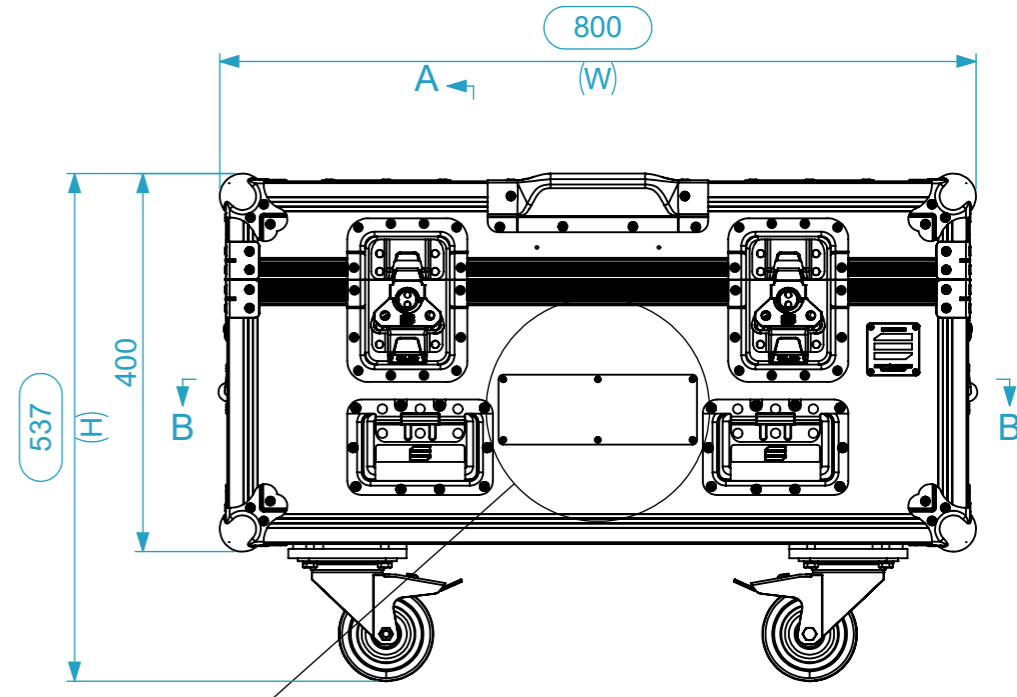
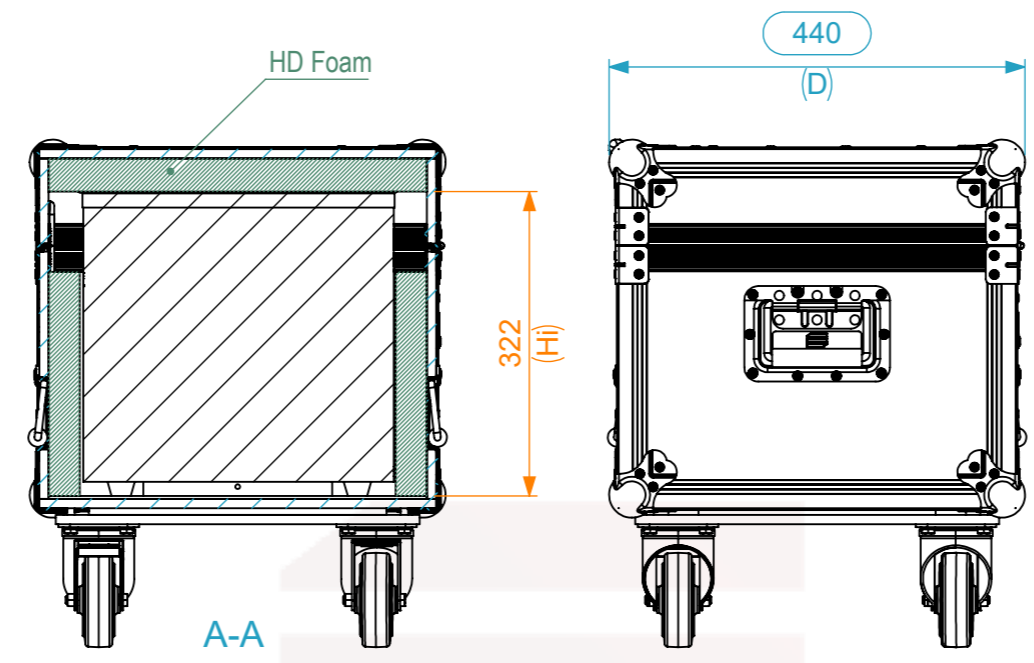
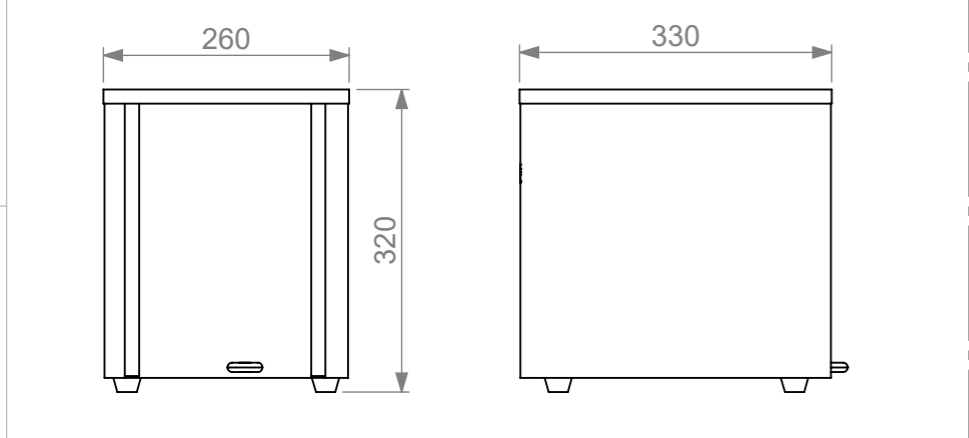


Equipment			SHOWVEN uFLAMER		
Width	Depth	Height			
330	260	320			
Weight	Approx. 14 Kg				
Internal Dimensions					
Width	Depth	Height			
261	334	322			
FC Weight	Approx. 26 Kg				
Wall Thickness					10mm



General External Dimensions		Usable Inner Dimensions	
W	Width	Wi	Inside Width
D	Depth	Di	Inside Depth
H	Height	Hi	Inside Height

Name	Date
projects	22/07/2025
Reference	FLAME.SHVUFL.02
Scale	1:8
units in mm	general tolerance 0.8mm
DO NOT SCALE	
1st Angle projection	Flight case PRO, 2x SHOWVEN uFLAMER



This drawing must not be copied or disclosed without consent of the owner

A3