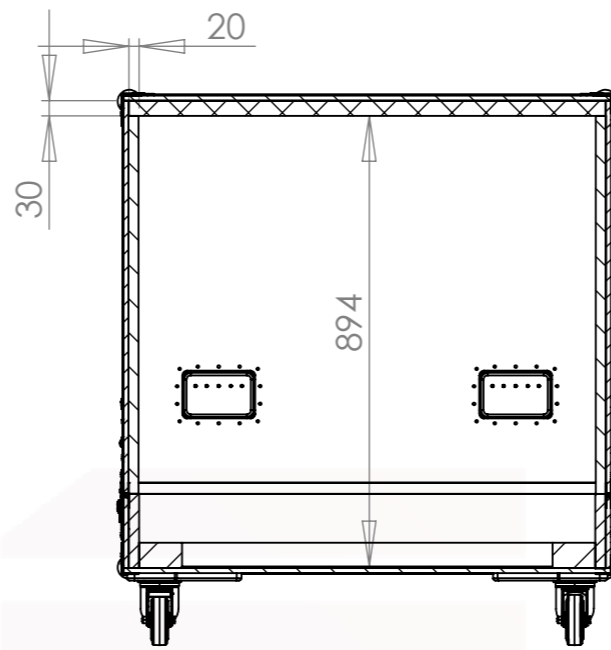
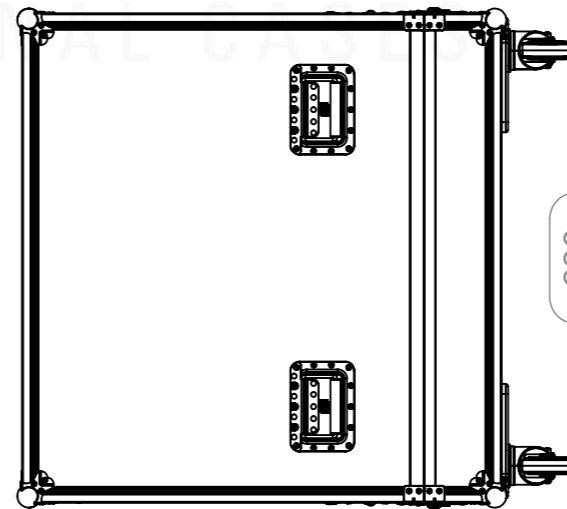
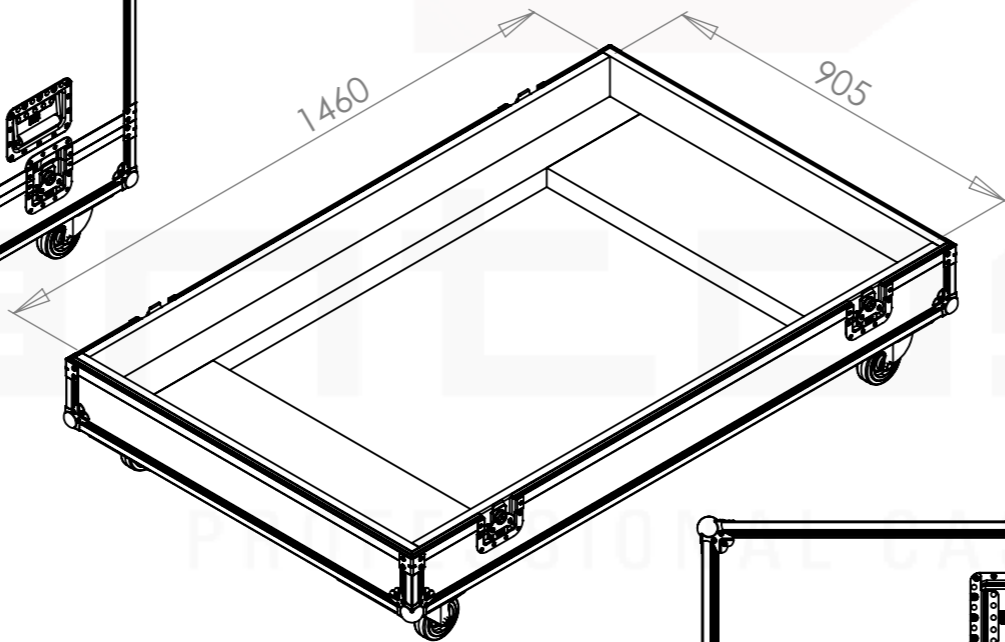
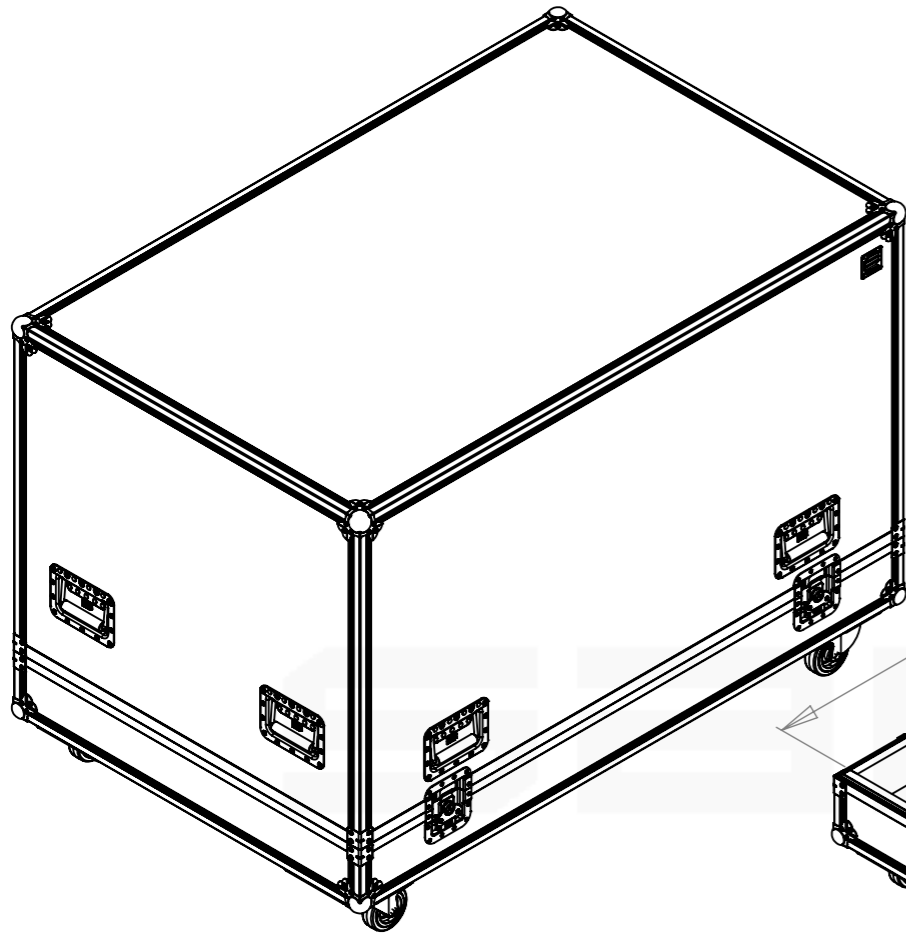
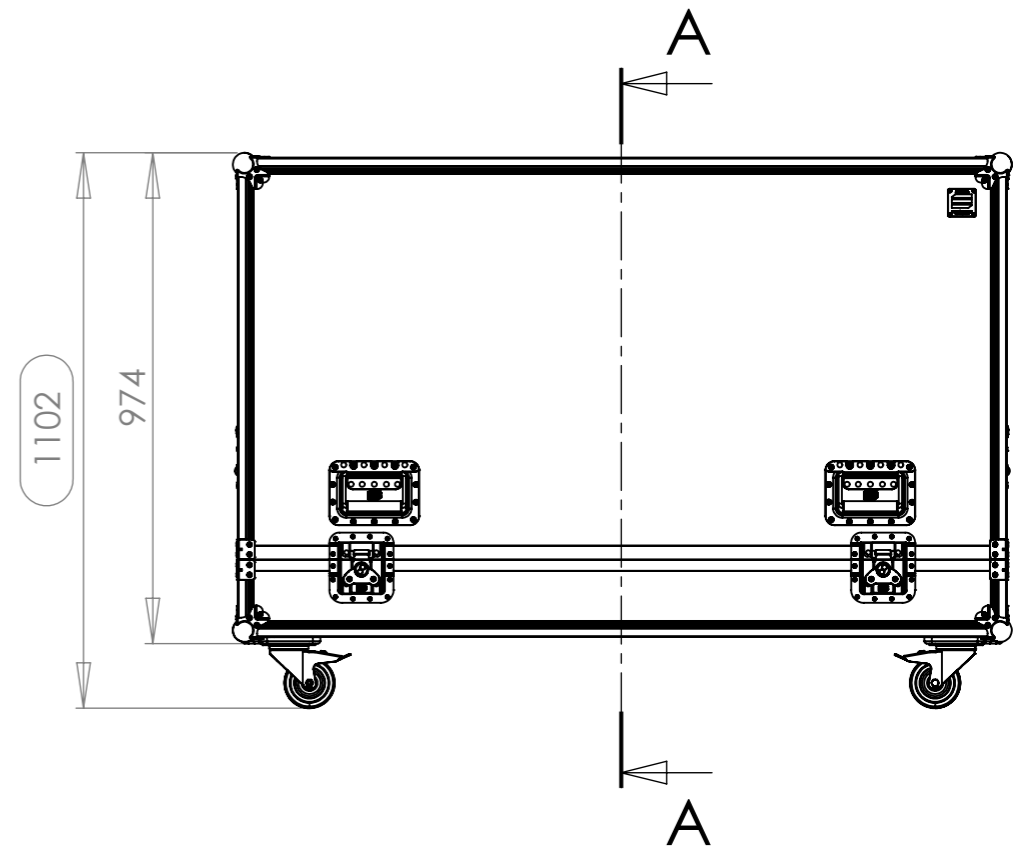


Interior dimensions

Width	Depth	Height
1460	905	897
Weight	Approx.35 Kg	
Wall Thickness	10mm	



SECTION A-A



Hardware

Qty	Description
8	Large corner bracket f. 35mm case angle
8	Ball Corner large three-leg cranked 35 mm 9 holes
2	Swivel castor Ø100mm with brake
2	Swivel castor Ø100 mm
4	Large butterfly V3 with 'push-back' function
8	Large, heavy duty, recessed sprung handle

This drawing must not be copied or disclosed without consent of the owner



Scale 1:15

units in mm DO NOT SCALE

general tolerance 0.8mm

FC TG, 1455X900X904 DISPLAX OQTOPUS

Drawn by joao 28/11/2016

Reference FCTG.0720R

Name Date

