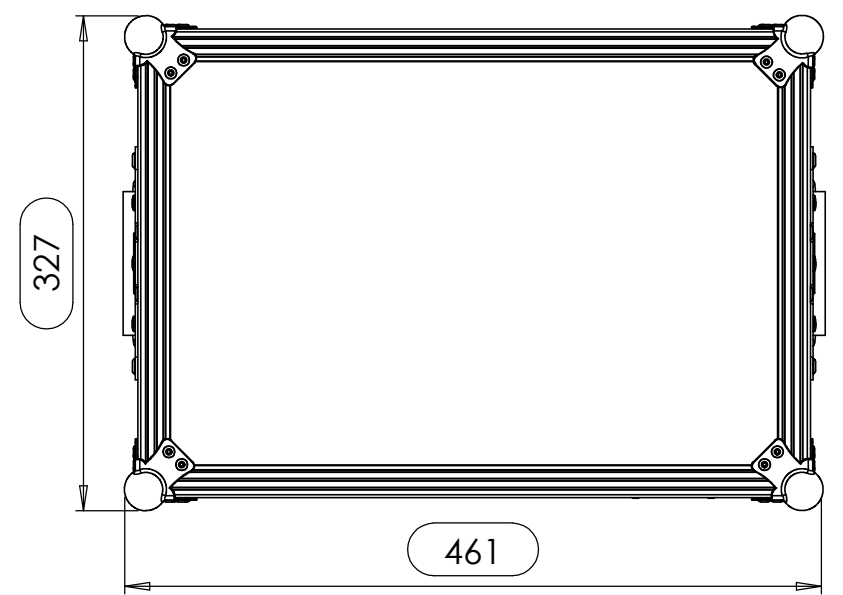
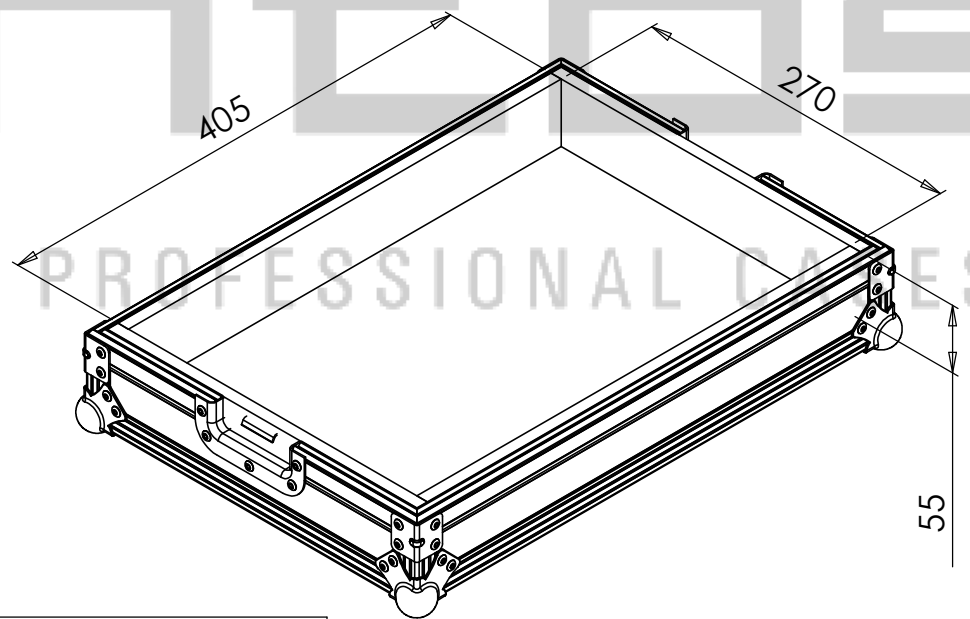
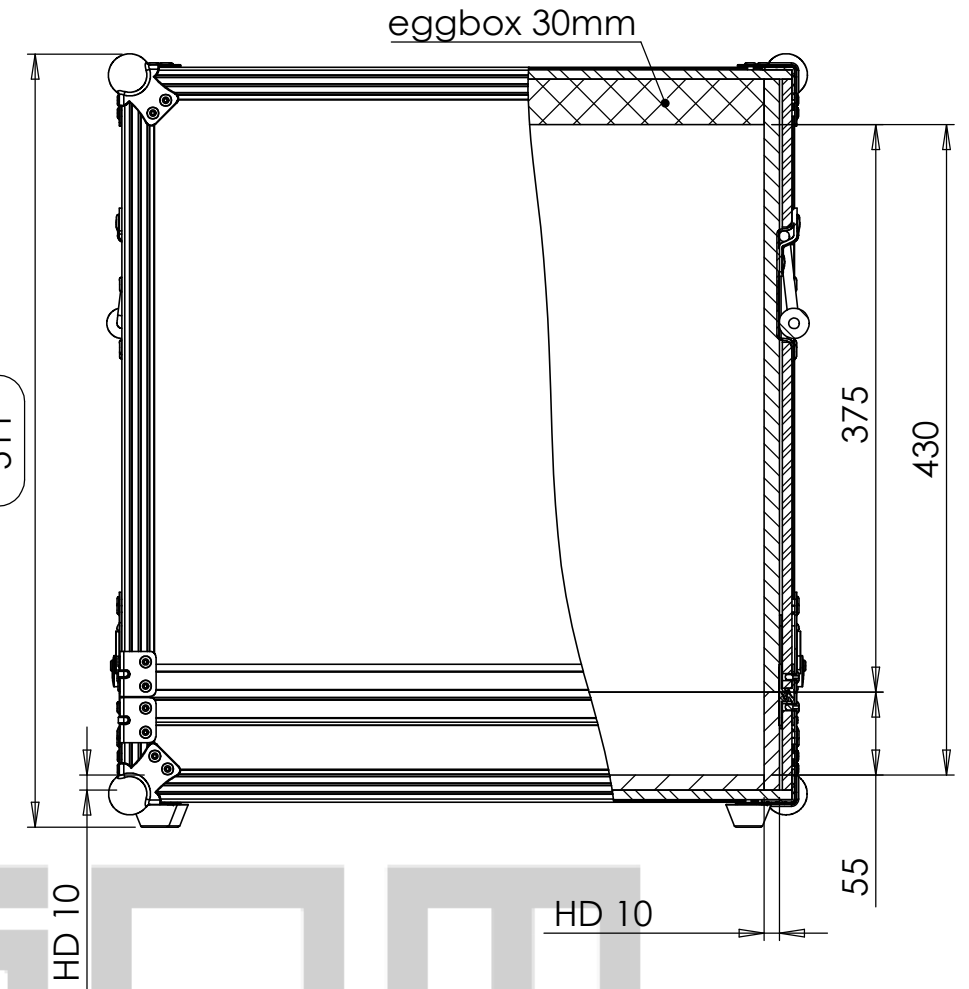
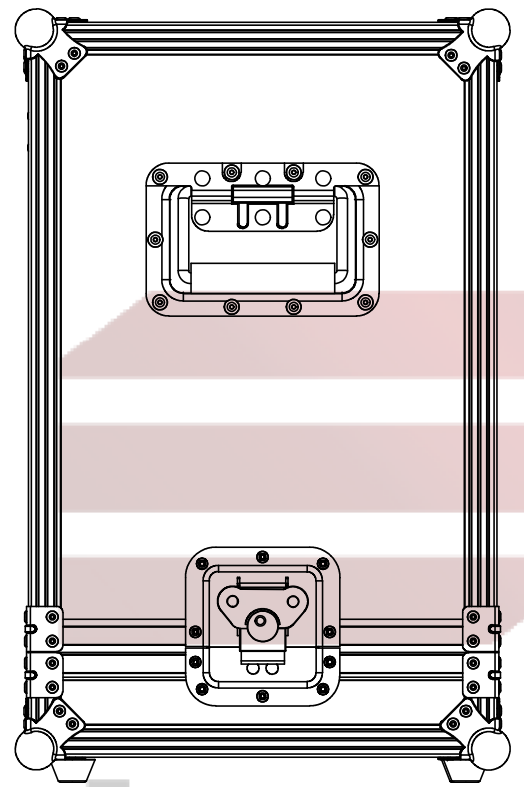
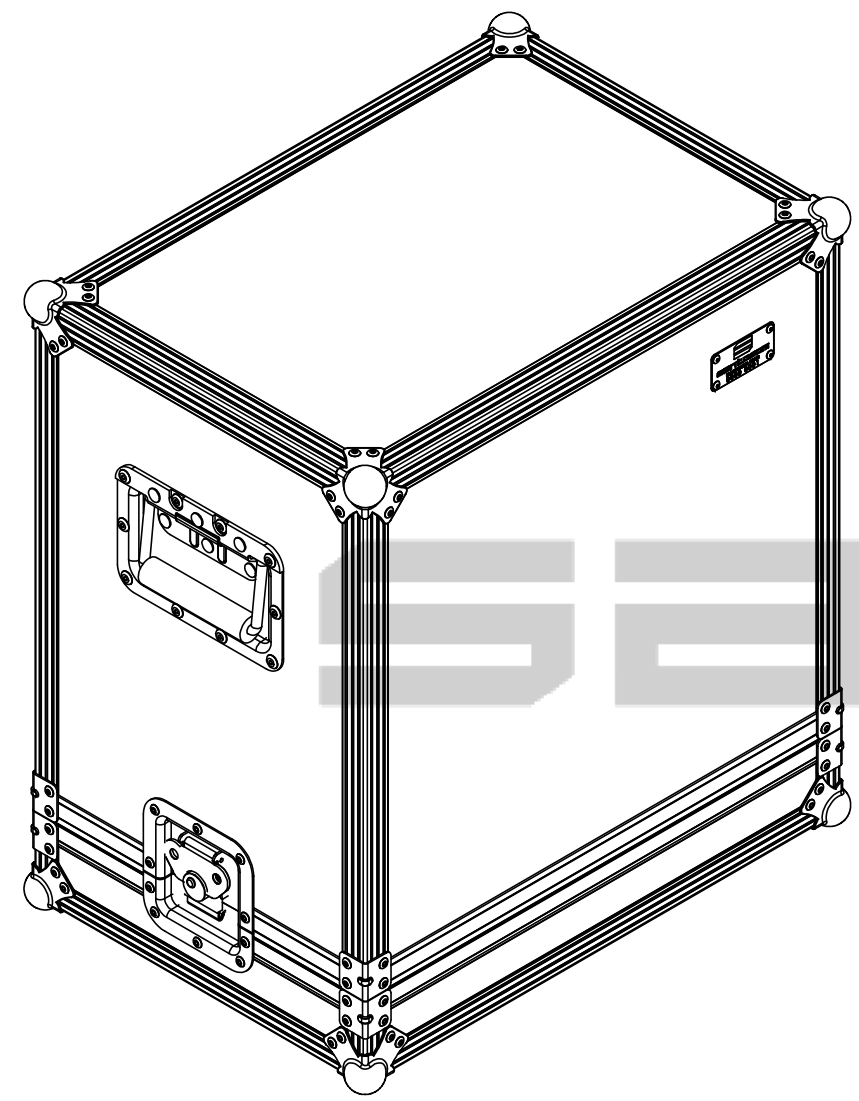


Interior dimensions		
Width	Depth	Height
405	270	430
Weight	Approx. 7 Kg	
Wall Thickness	6.3mm	

REVISIONS				
ZONE	REV.	DESCRIPTION	DATE	APPROVED
-	0	Final Drawing	26/06/2014	Daniel Lopes



Hardware		
Qty	Ref.	Description
2	34082	Recessed sprung handle medium model
8	4112	Small ball corner - 3 leg - zinc plated
8	40407	Medium corner-brace zinc plated 1,0mm
2	17290S	Key lockable medium Butterfly special
4	4901	Rubber foot 30 x 15mm, black

This drawing must not be copied or disclosed without consent of the owner

Drawn by	DanielLopes	Date	26-06-2014
Reference	FCS.0400.02		
Scale	1:5	units in mm	general tolerance 0.8mm
1st Angle projection	FC. 400X270X430MM HD10		

