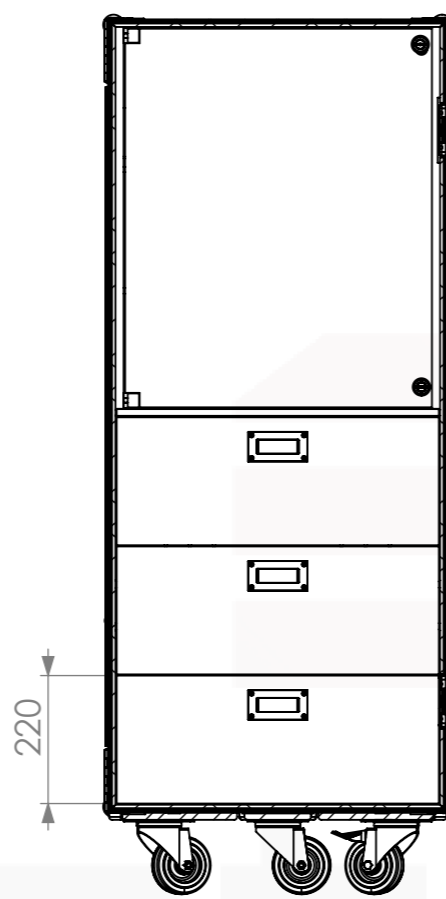
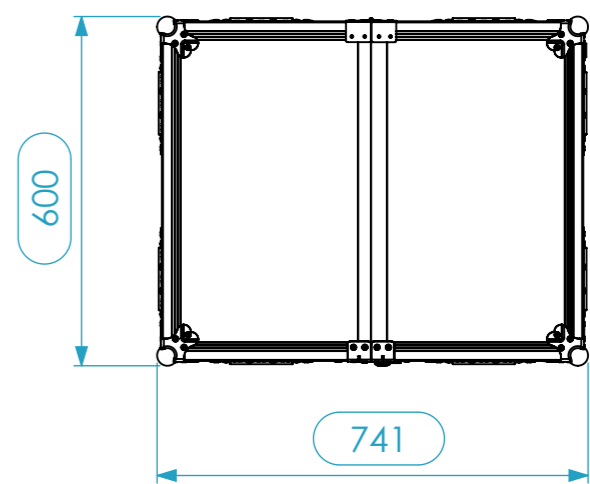
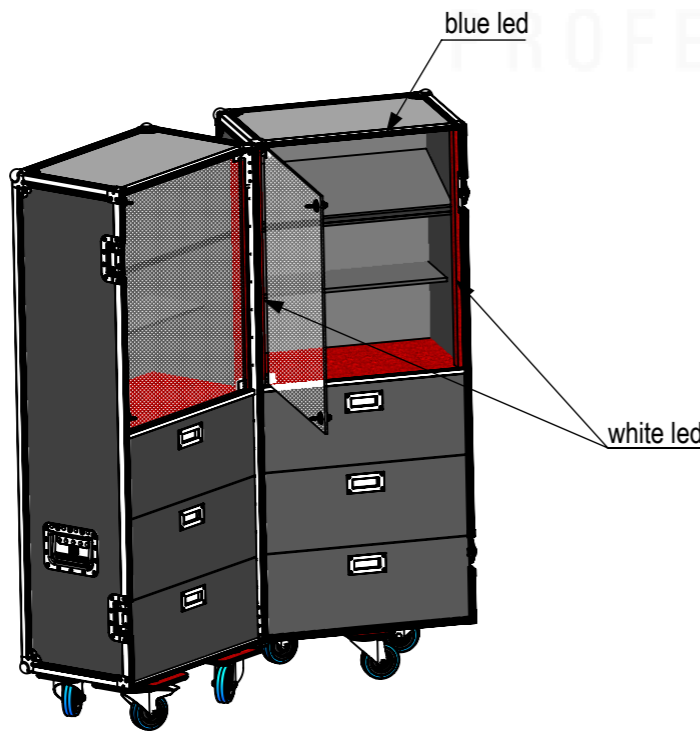
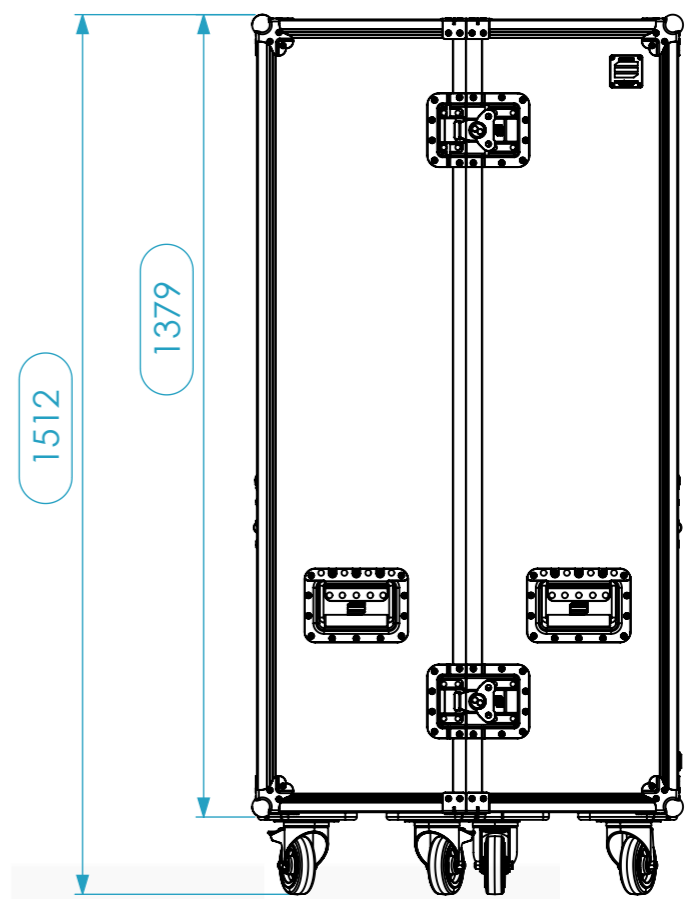
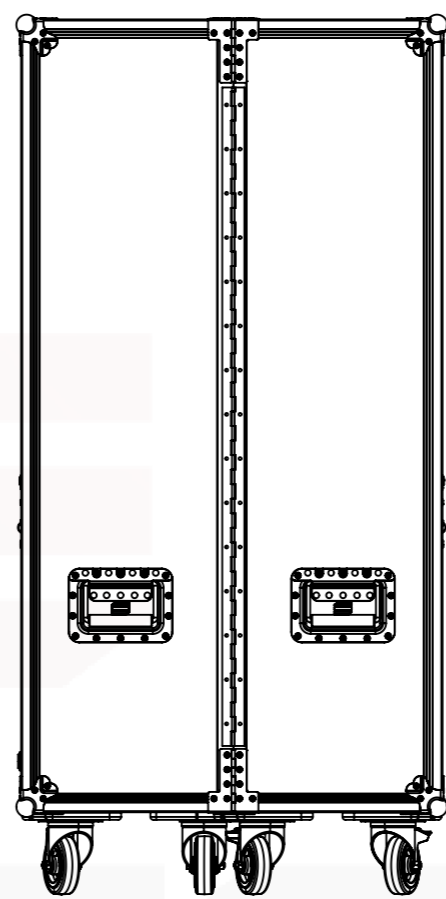


### Internal Dimensions

<b>Width</b>	<b>Depth</b>	<b>Height</b>
700	530	1339
<b>Weight</b>	Approx. 99 Kg	
<b>Wall Thickness</b>		10mm



D-D

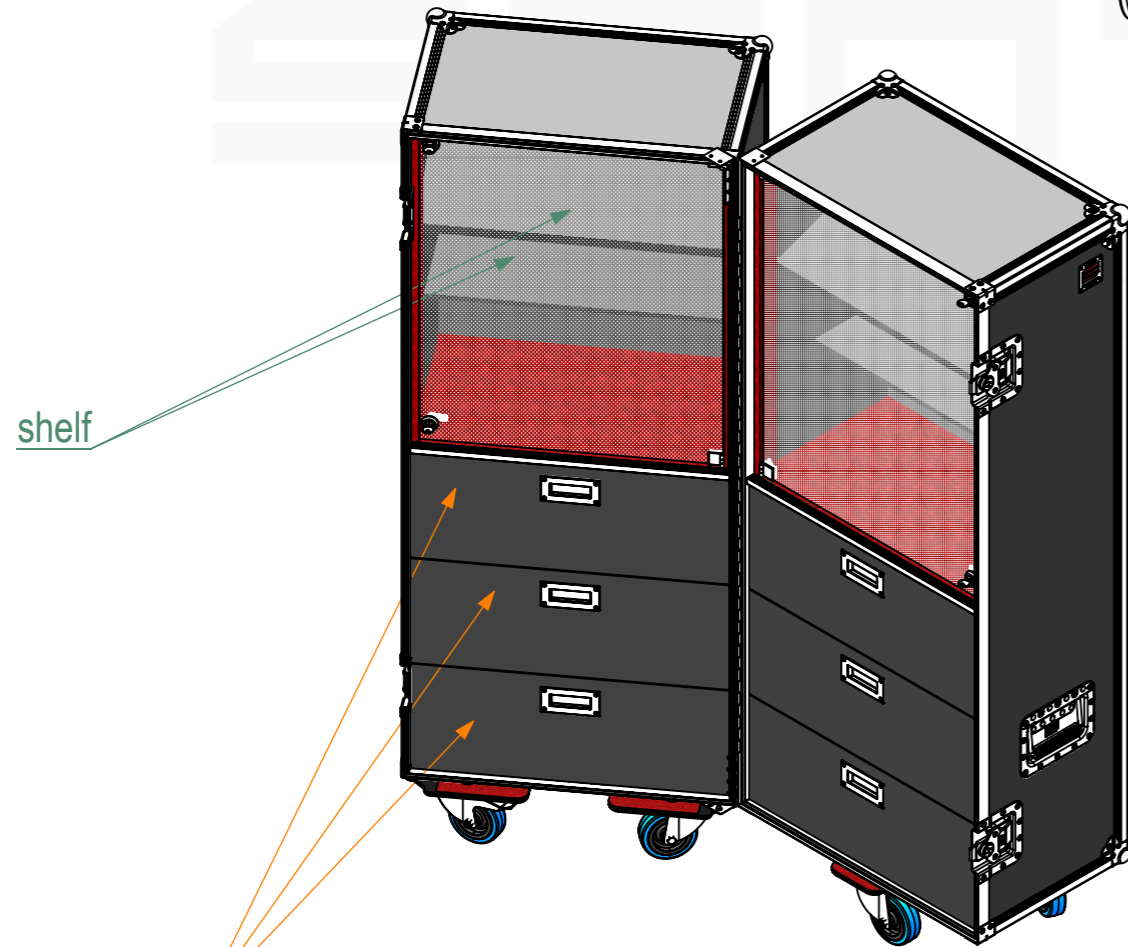
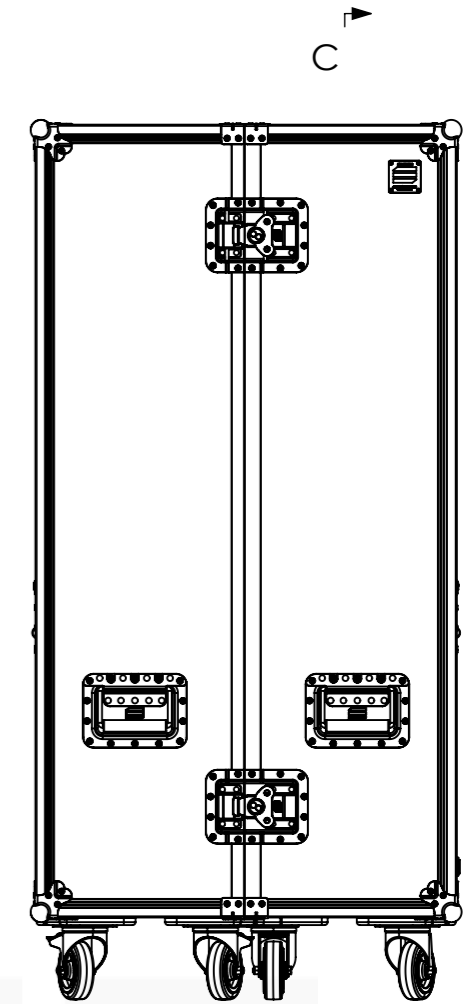
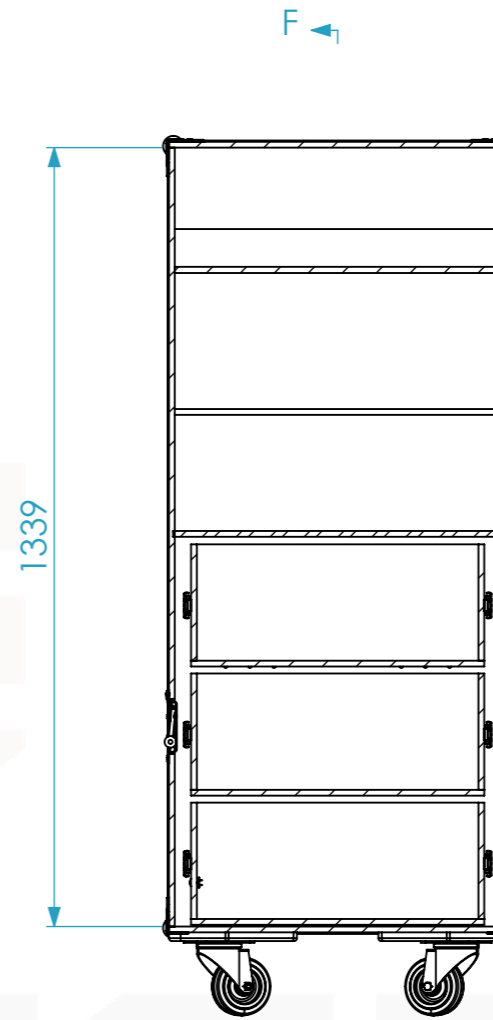
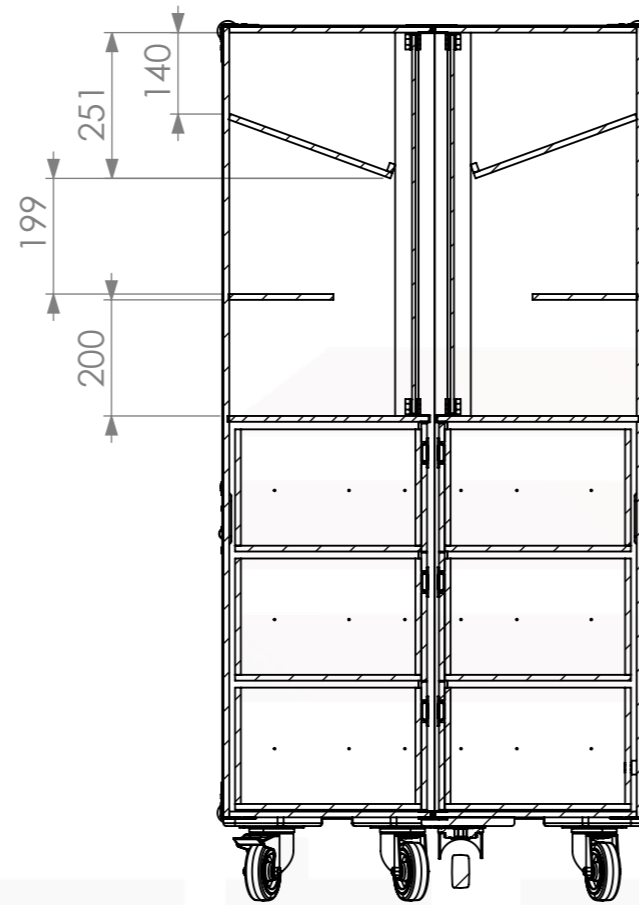
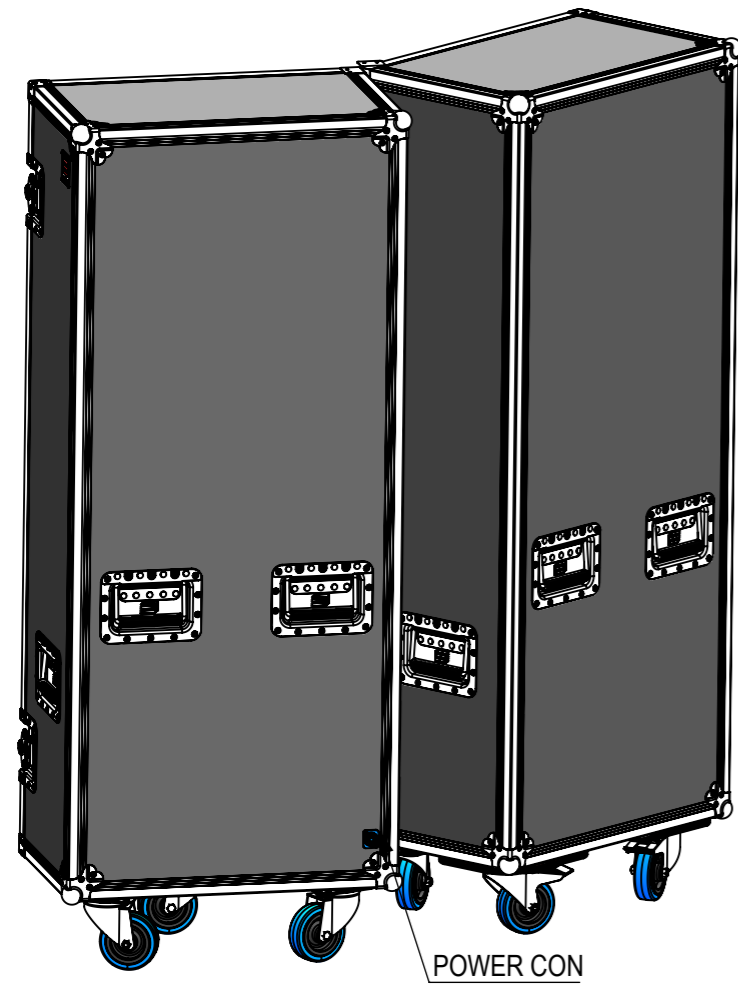


<b>Name</b>	CarlaSilva	<b>Date</b>	24/05/2018
<b>Reference</b>	FCI.229		
<b>Scale</b>	1:13	<b>units in mm</b>	DO NOT SCALE
<b>general tolerance</b>	0.8mm		
<b>1st Angle projection</b>	FC, EXPOSITOR 700X532X1339		



This drawing must not be copied or disclosed without consent of the owner

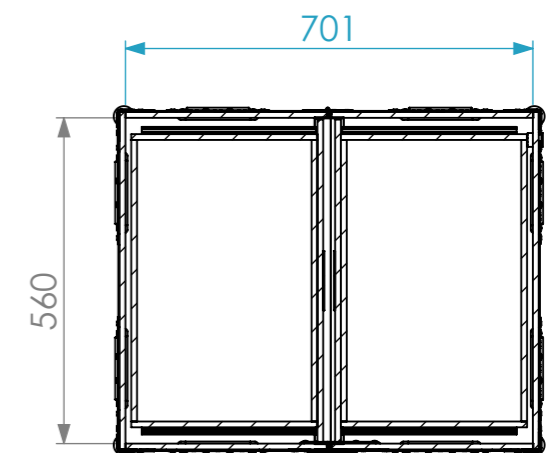
A3



F-F

F  
SECTION C-C

C  
L



SECTION B-B

sliding draw

Drawn by	Name	Date
CarlaSilva	CarlaSilva	24/05/2018
Reference	FCI.229	
Scale	units in mm	general tolerance
1:13	DO NOT SCALE	0.8mm
1st Angle projection	FC, EXPOSITOR 700X532X1339	

This drawing must not be copied or disclosed without consent of the owner

A3

