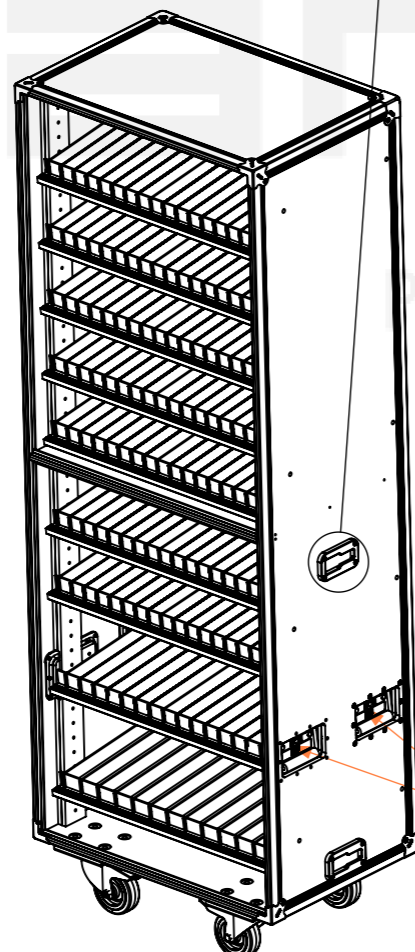
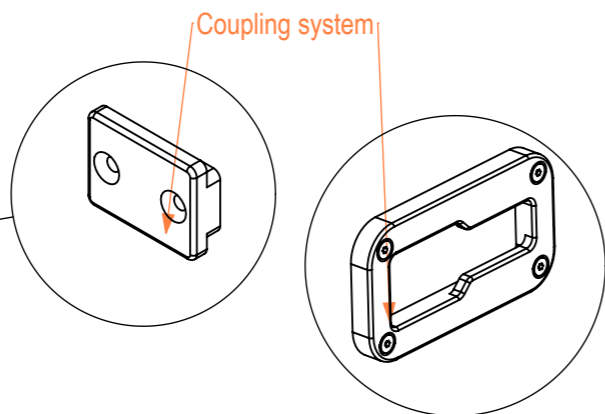
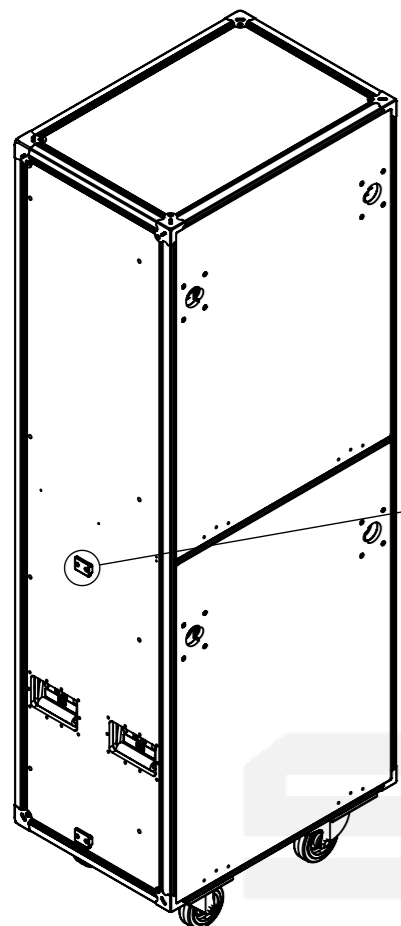
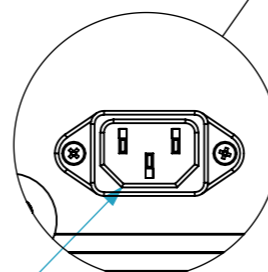
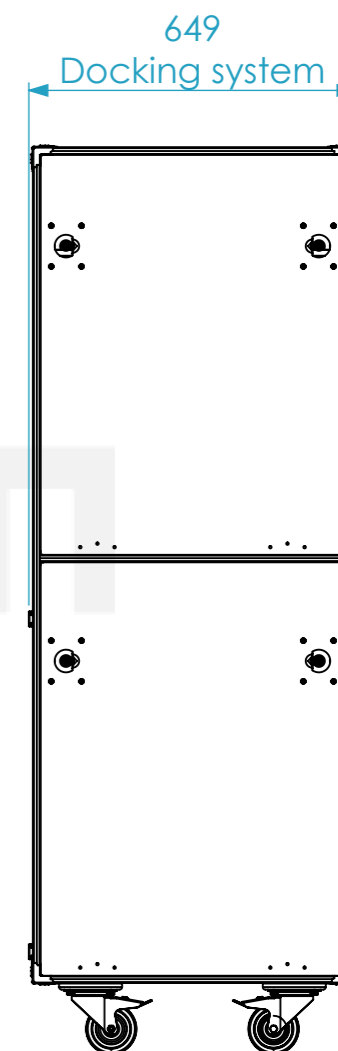
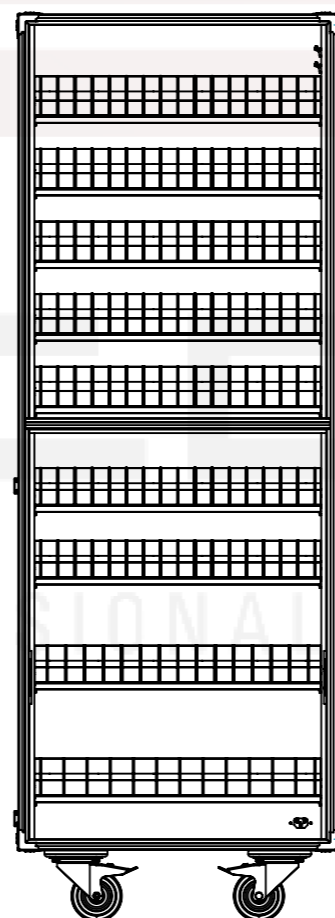
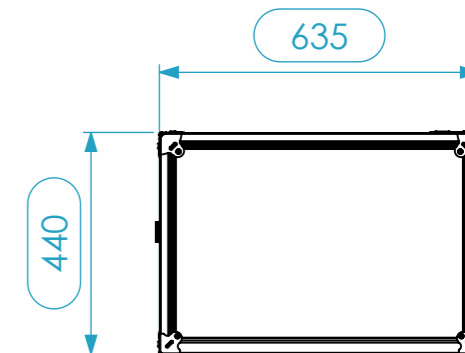
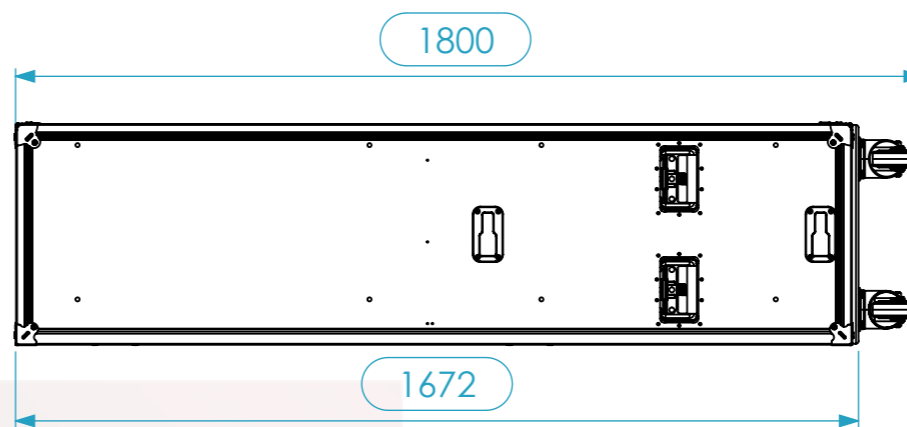


Internal Dimensions		
Width	Depth	Height
589	414	1614
Weight	Approx. 57.5 Kg	
Wall Thickness		10mm



Handles on the inside to make it modular



IEC CONNECTOR

Drawn by	Name	Date
CarlaSilva	CarlaSilva	26/03/2019
Reference	FCI.224	
Scale	units in mm	general tolerance
1:15	DO NOT SCALE	0.8mm
1st Angle projection	FC, EXHIBITOR / STOCK 650X440X1800MM	



This drawing must not be copied or disclosed without consent of the owner

A3