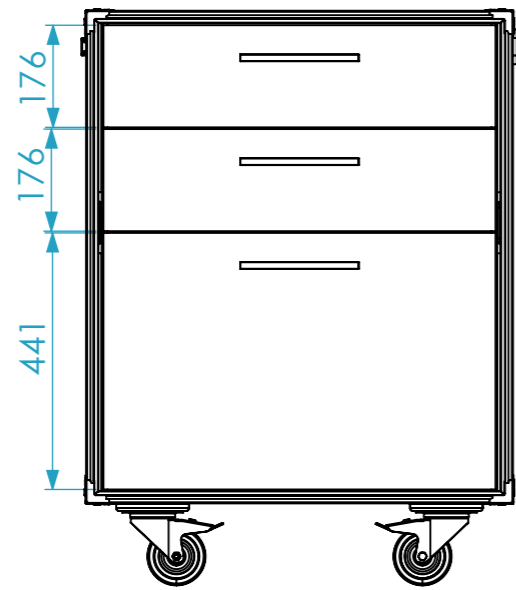
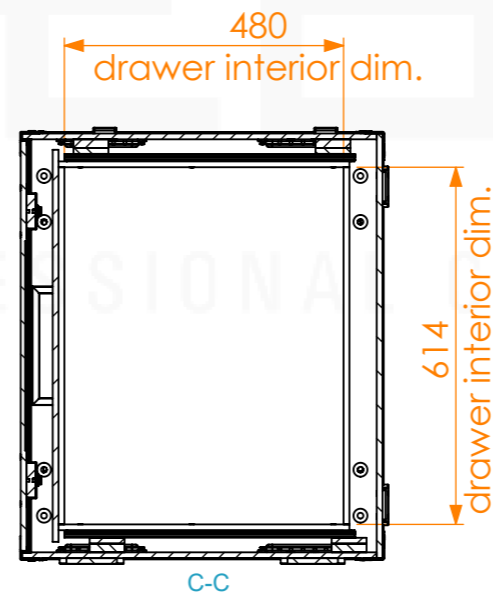
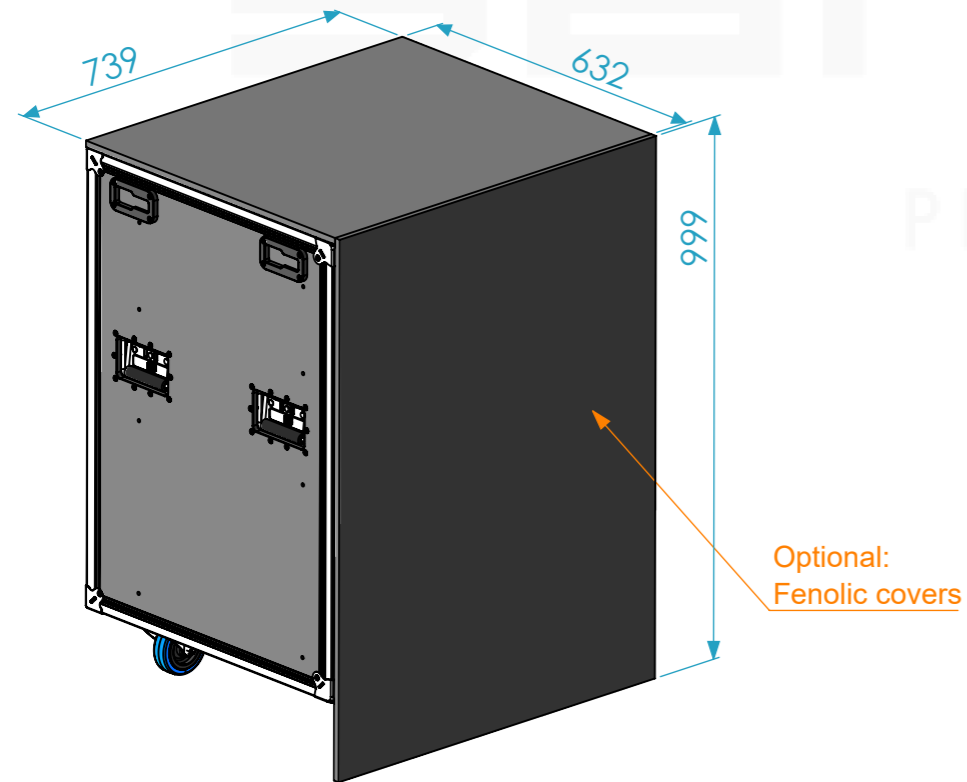
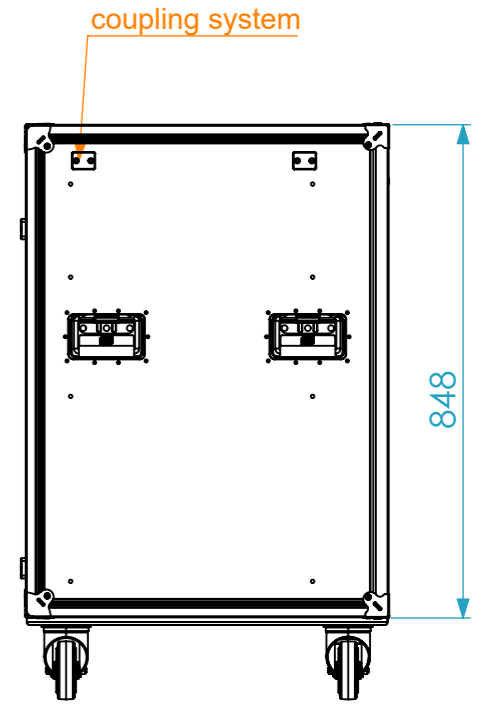
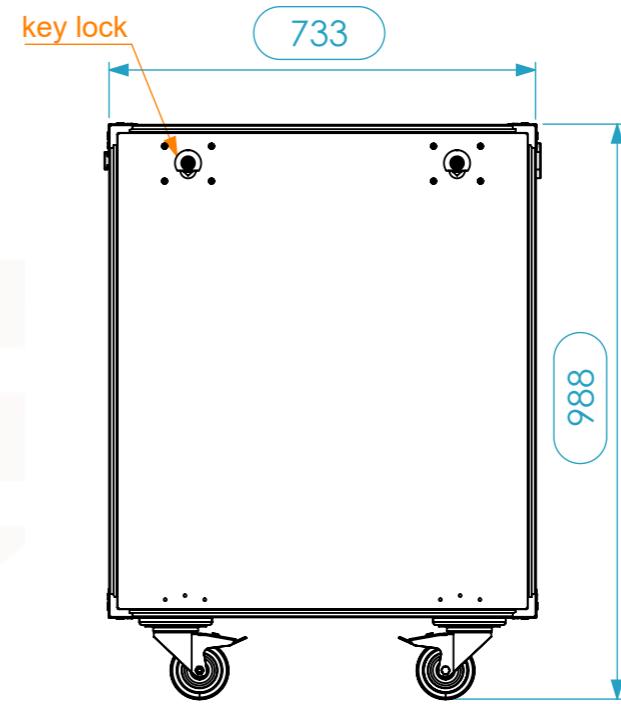
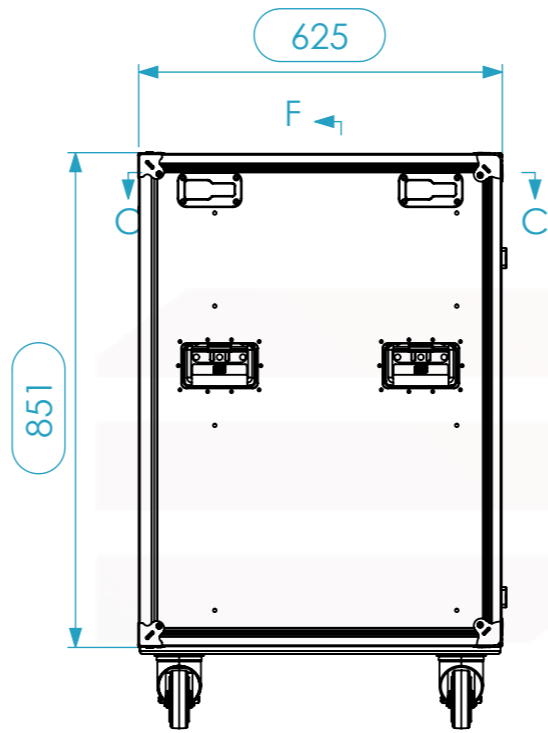


| Internal Dimensions | | |
|---------------------|-----------------|--------|
| Width | Depth | Height |
| 690 | 600 | 803 |
| Weight | Approx. 32.1 Kg | |
| Wall Thickness | 10mm | |



interior dimension of the drawers:
 Height of drawer - 19.5
 Example: 265 - 19.5 = 245.5mm



| General External Dimensions | |
|-----------------------------|--------------------|
| W | Width |
| D | Depth |
| H | Height |
| Usable Inner Dimensions | |
| Wi | Inside Width |
| Di | Inside Depth |
| Hi | Inside Height |
| Wood Inner Dimensions | |
| WWi | Wood Inside Width |
| WDi | Wood Inside Depth |
| WHi | Wood Inside Height |

| | |
|------------------------|-------------------------|
| Name | Date |
| Drawn by CatarinaDuque | 27-03-2018 |
| Reference | FCI.221B |
| Scale | 1:13 |
| units in mm | general tolerance 0.8mm |
| DO NOT SCALE | |



This drawing must not be copied or disclosed without consent of the owner

1st Angle projection

A3