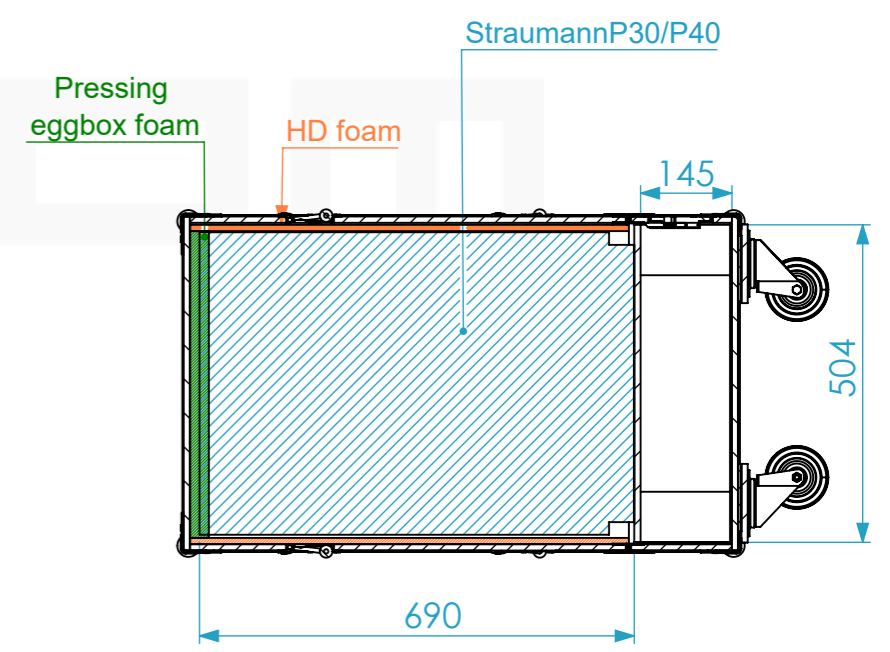
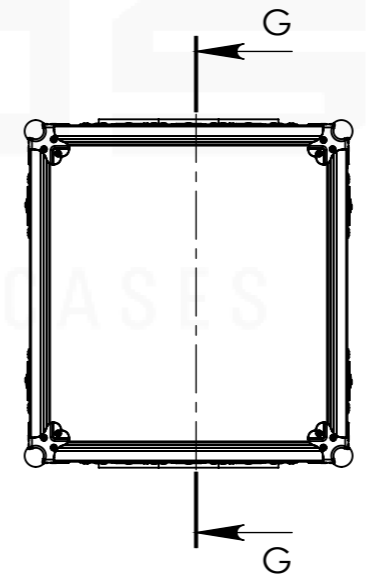
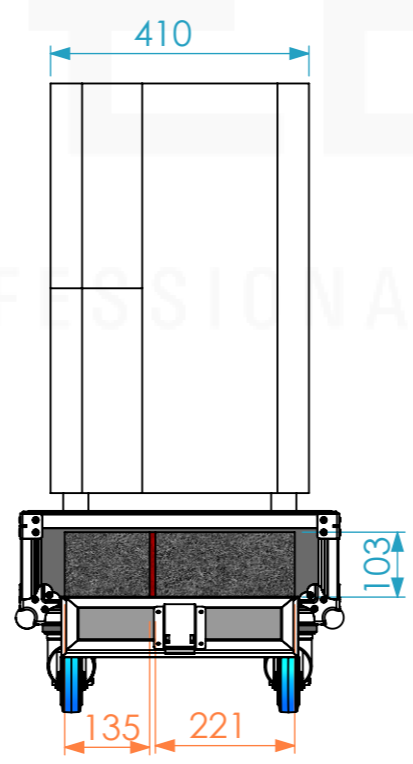
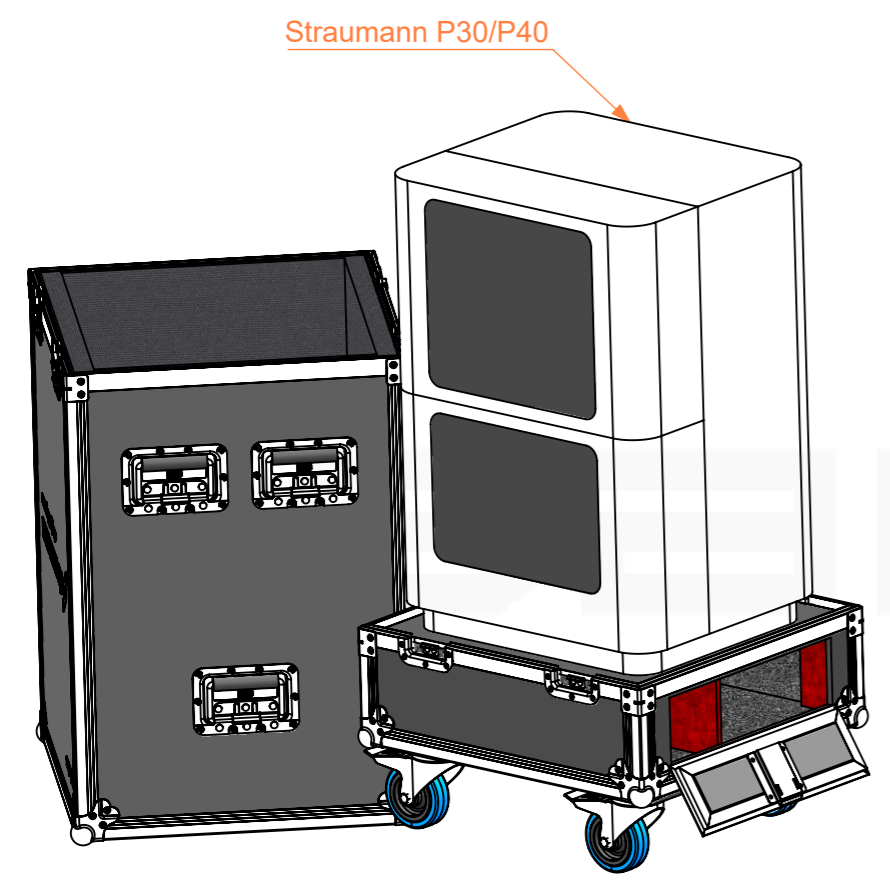
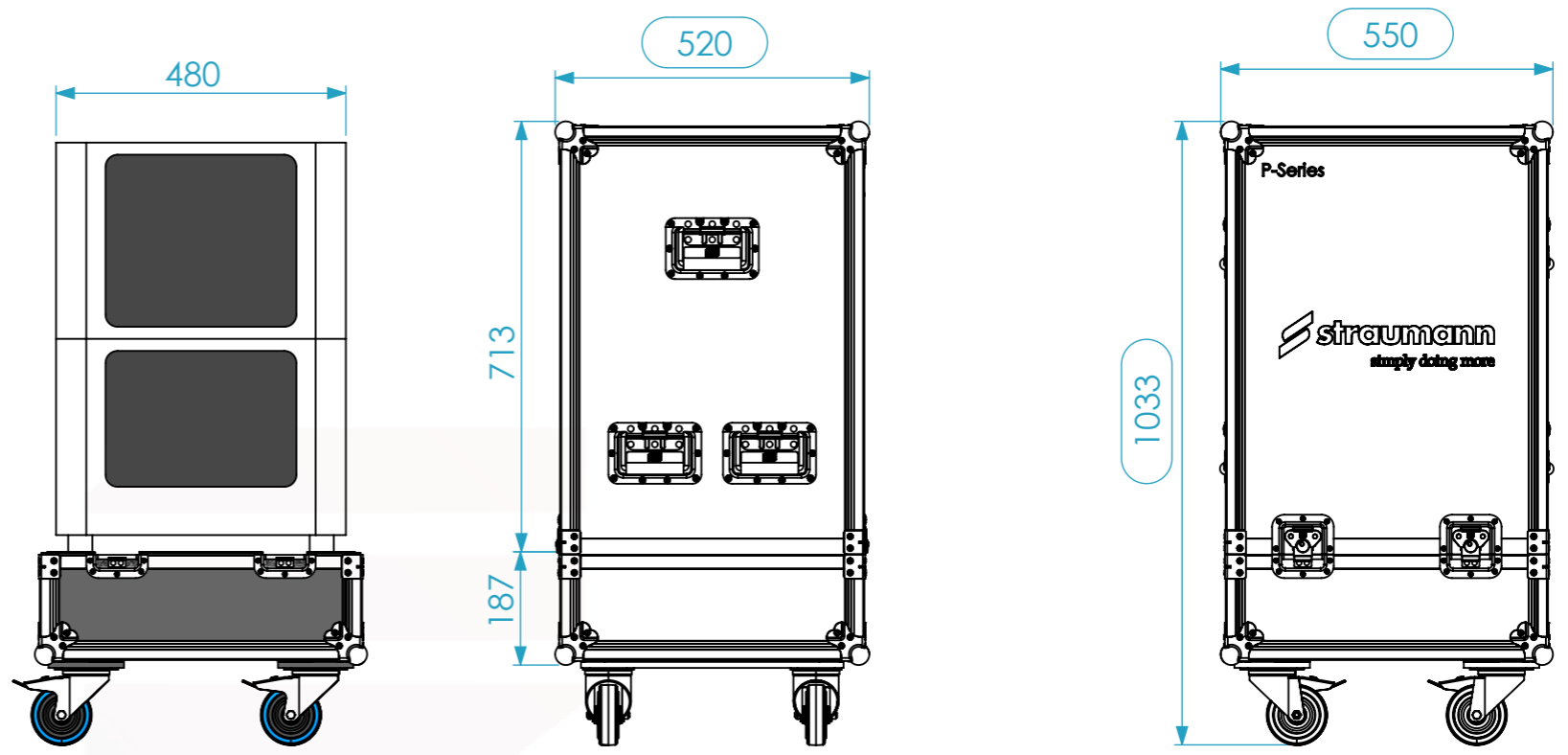


Equipment		P30/P40	
Width	Depth	Height	
480	410	690	
Internal Dimensions			
Width	Depth	Height	
506	476	856	
Weight	Approx. 11.57 Kg		
Wall Thickness	10mm		



Name	Date
CatarinaDuque	06-07-2018
Reference	FCI.218
Scale	1:12
units in mm	DO NOT SCALE
general tolerance	0.8mm
Case for dentist equipment + accessories P-SERIES: 480x410x690	



This drawing must not be copied or disclosed without consent of the owner



A3