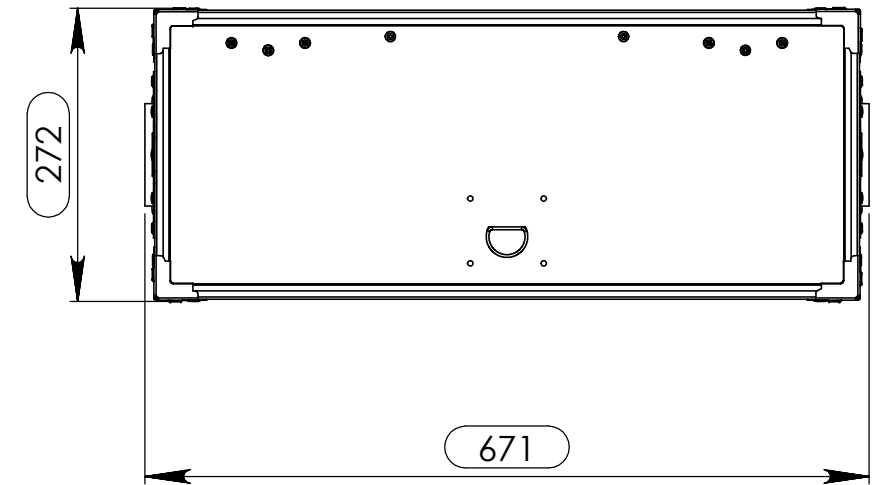
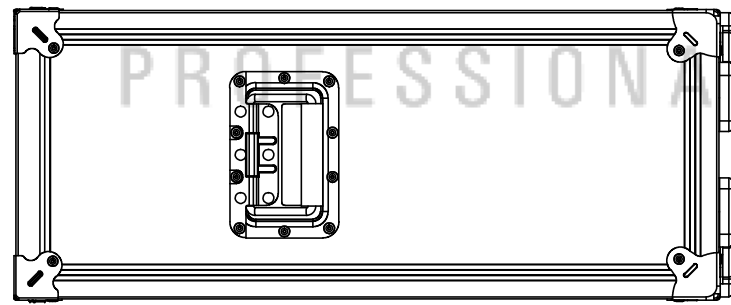
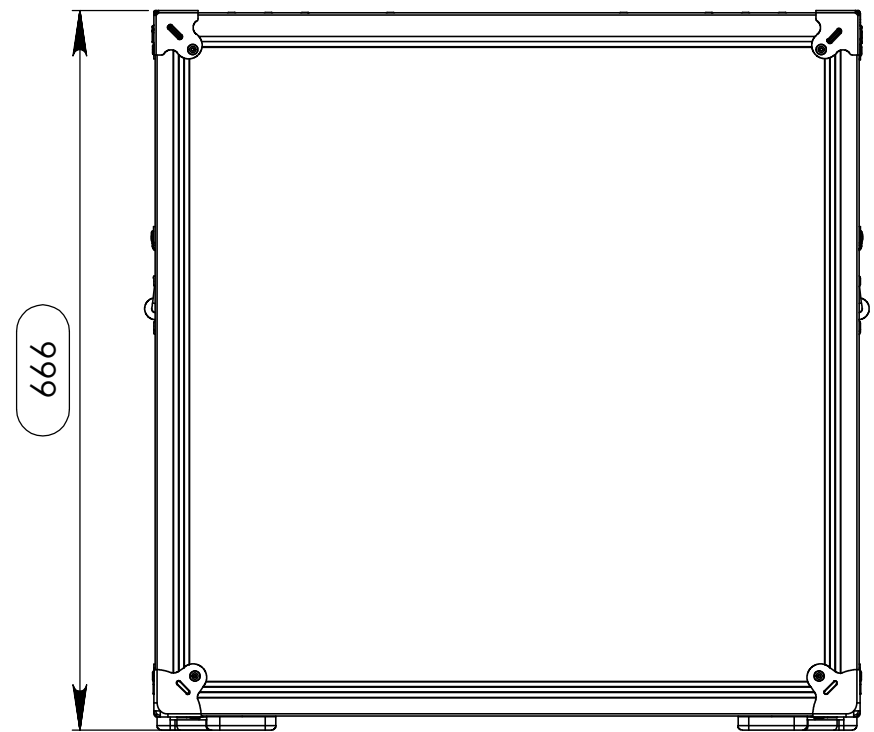
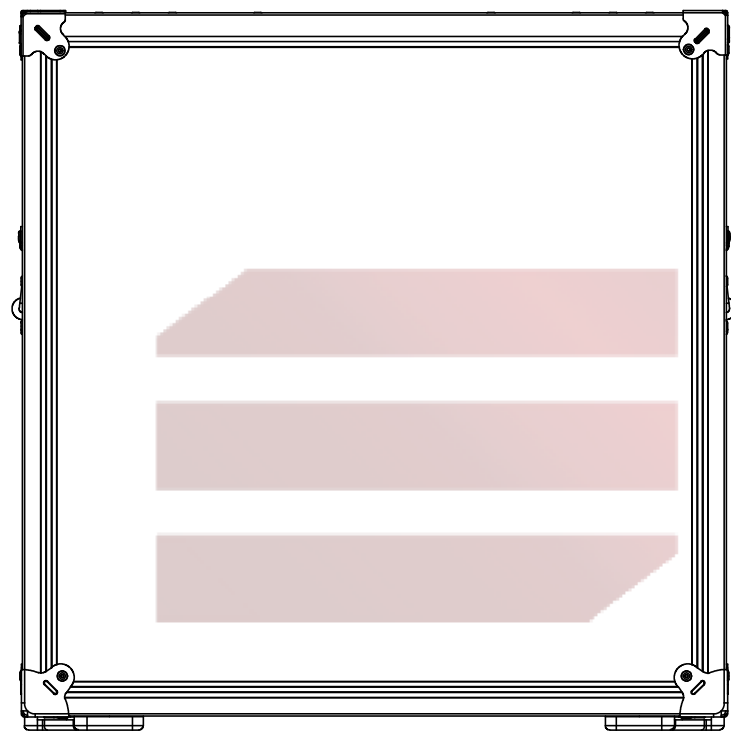
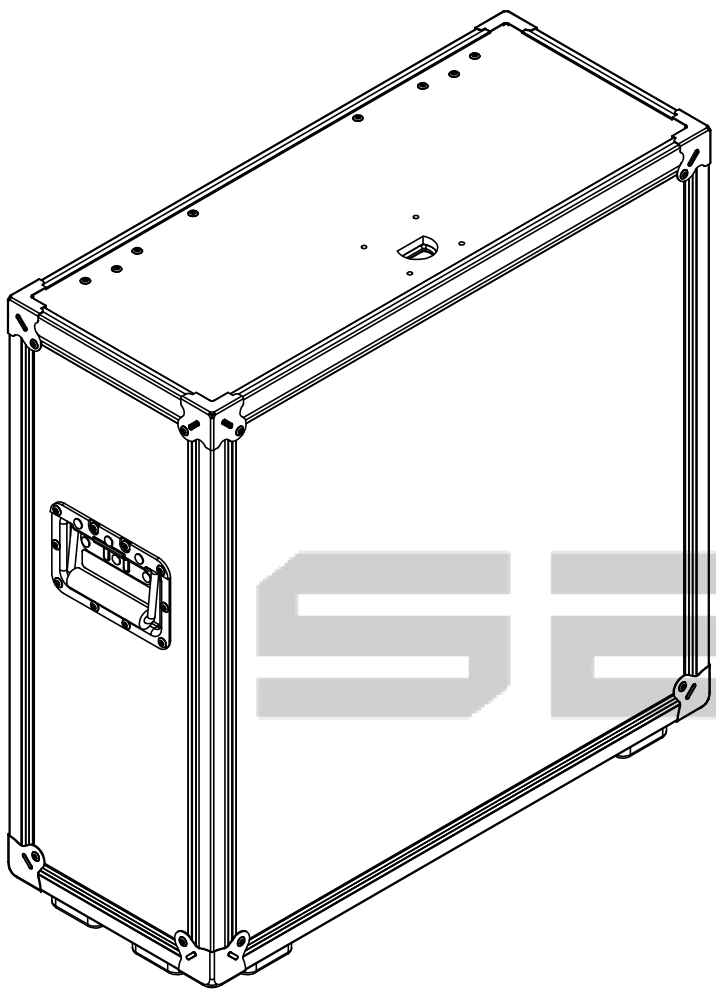



Interior dimensions		
Width	Depth	Height
610	225	610
Weight	Approx. 13 Kg	
Wall Thickness		9mm



santosom
PROFESSIONAL CASES

Hardware	
Qty	Description
4	UX-BOX, Corner 2 LEG, 10mm
4	Case corner zinc plated
1	Sliding Latch System - Sliding Latch
2	Recessed sprung handle medium model

A3	This drawing must not be copied or disclosed without consent of the owner	Scale 1:7	units in mm	general tolerance	 FC, gamelas INOX
			DO NOT SCALE	0.8mm	
Reference: FCI.205 1st Angle projection		Name: pedroneves Date: 06-03-2014			