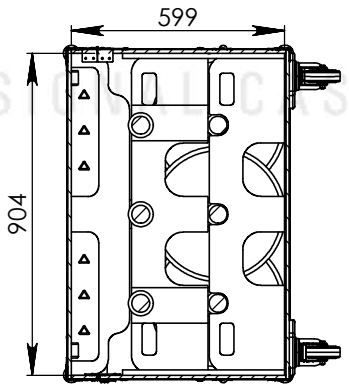
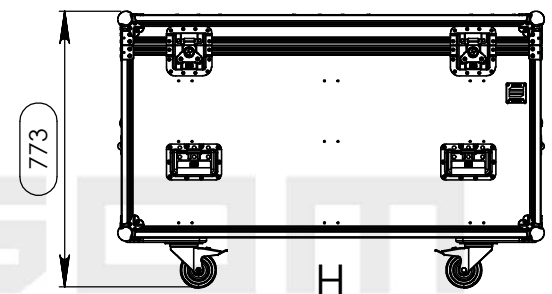
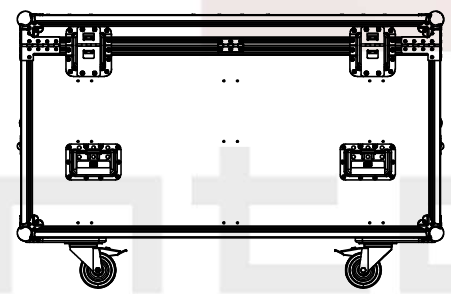
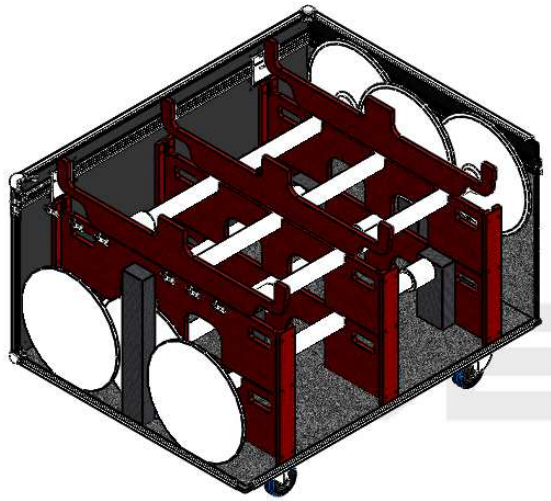
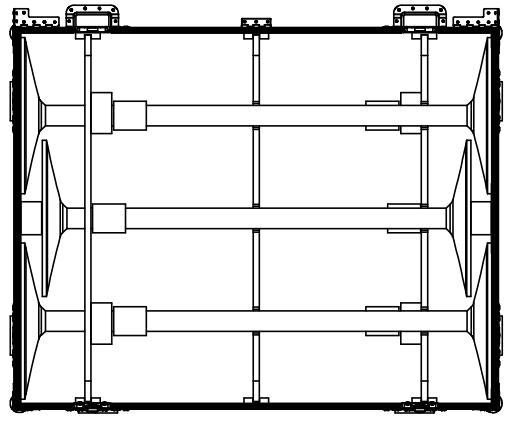
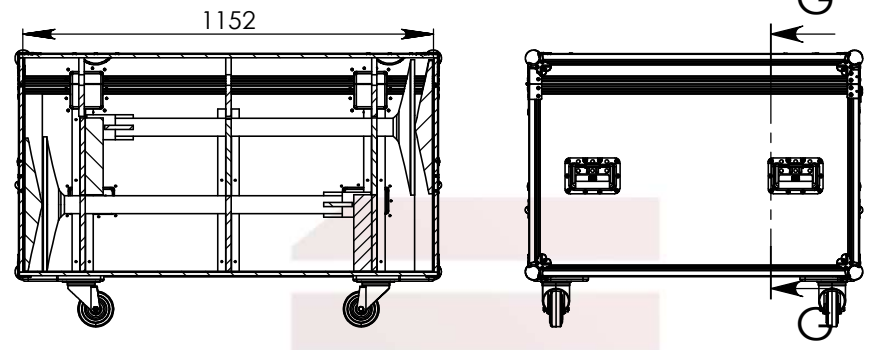


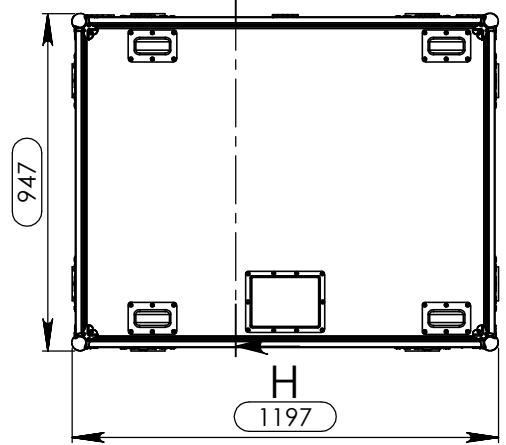
Interior dimensions		
Width	Depth	Height
1152	904	599
Weight	Approx. 56 Kg	
Wall Thickness	10mm	

REVISIONS				
ZONE	REV.	DESCRIPTION	DATE	APPROVED
-	0	Final Drawing	16/05/2016	Carlos Rodrigues

SECTION G-G



SECTION H-H



Hardware		
Qty	Ref.	Description
8	410429	Heavy Duty Ball Corner
4	40403	Large corner bracket f. 35mm case angle
1	88001D	Dish for 88001 Tour Label
2	RODA.100T	Swivel castor Ø100mm with brake
2	RODA.100	Swivel castor Ø100 mm
1	2602	Medium duty butt hinge z./p.
8	34082	Recessed sprung handle medium model
2	172531	Large butterfly V3 with 'push-back' function
2	27073	Short recessed lidstay cranked
4	38083	Castor dish deep zinc plated
6	2882	Mounting Ring for Carrying Strap - zinc

This drawing must not be copied or disclosed without consent of the owner

Scale	1:15	general tolerance	0.8mm
Reference	FCI.113	FC. 4 PILARETES	1000X250X250 MM.

