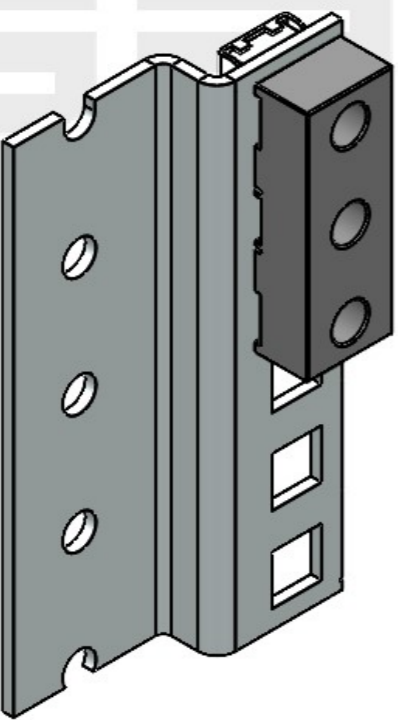
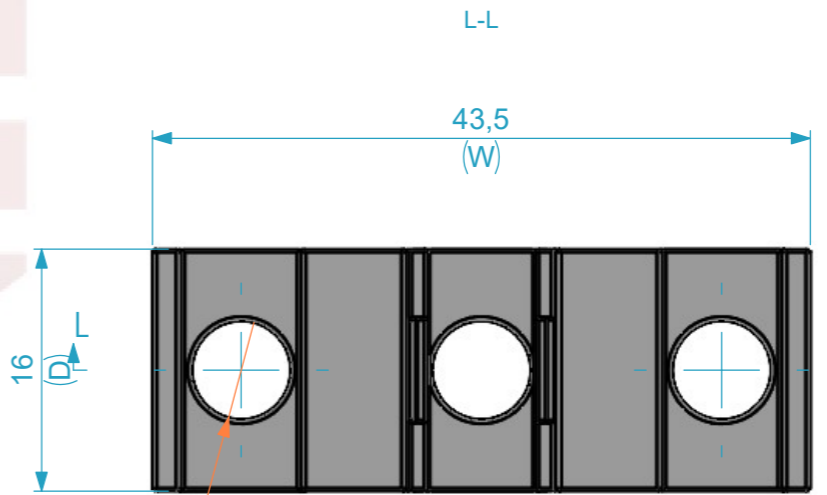
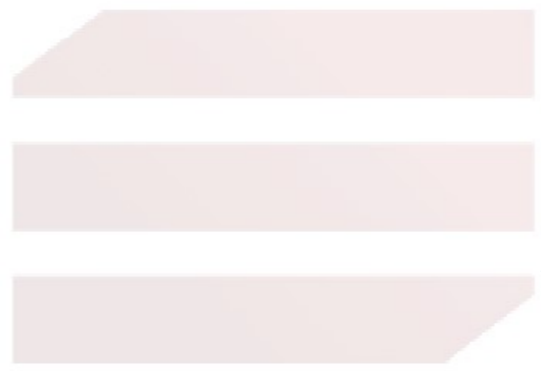
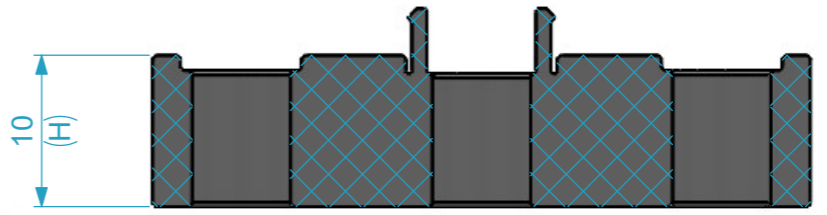
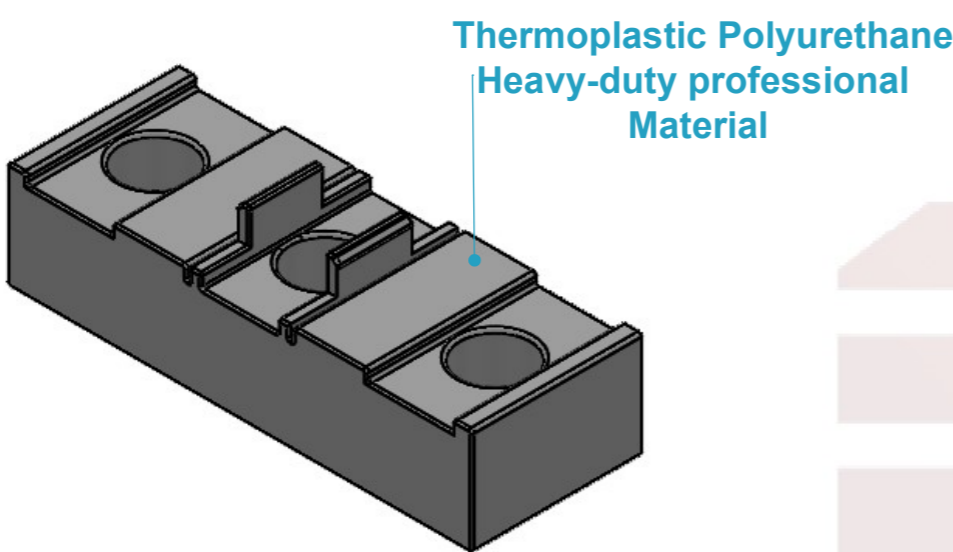
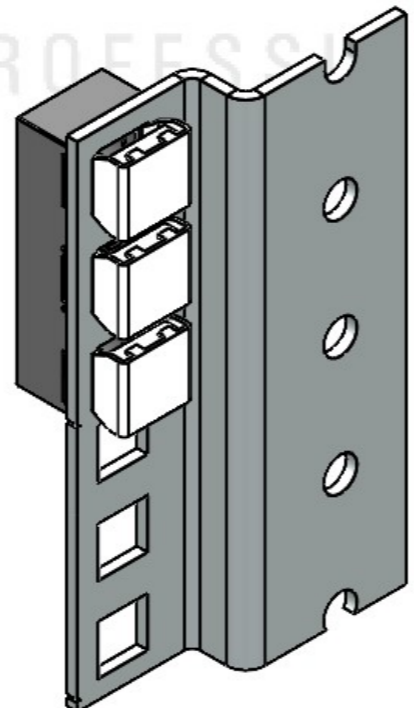


Dimensions

Width	Depth	Height
43.5	16	10
Weight	Approx. 0.01 Kg	



Allows the use of cage nuts



General External Dimensions	
W	Width
D	Depth
H	Height
Usable Inner Dimensions	
Wi	Inside Width
Di	Inside Depth
Hi	Inside Height

Name	alvaro.santos	
Date	26/05/2026	
Reference	-	
Scale	2:1	units in mm
		DO NOT SCALE
		general tolerance 0.8mm



This drawing must not be copied or disclosed without consent of the owner



A3